

DATA SHEET

BrushHawk Monitor

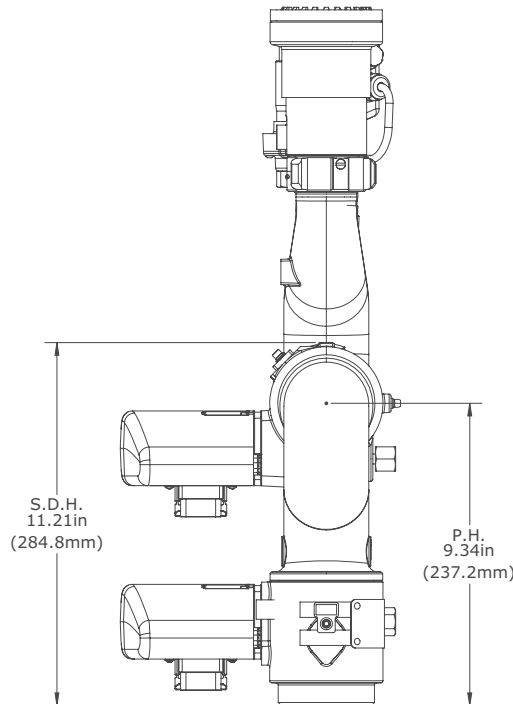
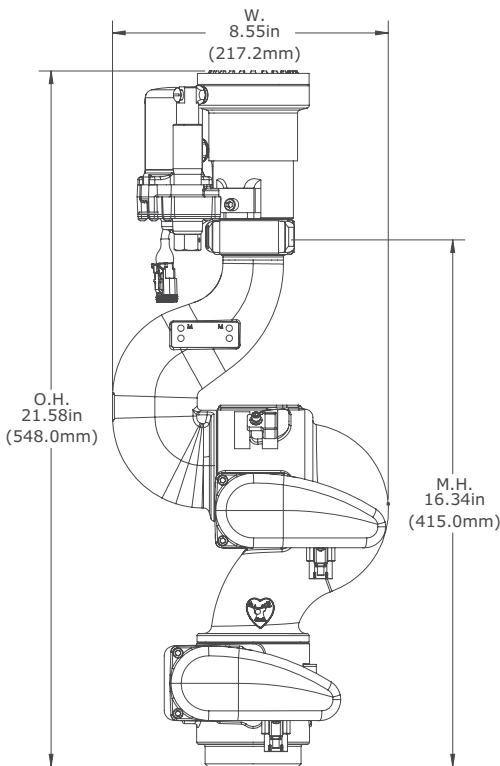
Model 8495

Mechanical Features

- 500 GPM (2000 LPM) Flow
- 1.5" and 2.0" NPT female inlet options
- Teflon impregnated, hard anodized aluminum alloy waterway
- Double ball races with stainless steel bearings
- Fully-enclosed stainless steel worm gears
- Manual travel overrides
- Sealed to NEMA 4
- Optional 1.5" or 2.0" NPT female inlet quick-connect

Control Features

- 12 or 24 VDC Input Voltage - auto compatible
- Simple plug and play with full CANbus communication
- Fully proportional joystick includes all monitor controls including trigger for water valve control
- Electronics are located and sealed within monitor body – no separate module required
- Adjustable vertical and horizontal electronic stops



Joystick



Optional Valve Kit

DATA SHEET

BrushHawk Monitor

SPECIFICATIONS	
Model	8495
Max Flow	500 GPM (2000 LPM)
Max Pressure	200 PSI (14 Bar)
Inlet	1.5" or 2.0" NPT Female
Outlet	1.5" NHT Male
Material/Finish	Elk-O-Lite with red urethane enamel
Travel (Field Selectable)	350° Horizontal (Left 175°/Right 175°) and 120° vertical (-30°/+90°) 180° Horizontal (Left 90°/Right 90°) and 120° vertical (-30°/+90°) 180° Horizontal (Left 90°/Right 90°) and 90° vertical (-45°/+45°) Swing radius: 6.9" (175 mm)
Voltage	12 or 24VDC compatible
Swing Radius	6.9" (175 mm)
Stow Height	11.2" (285 mm)
Weight	13.5 lbs. (6.1 kg)

8495 BrushHawk Monitor Pressure Drop

