

HC-750-FLX Hydro-Chem Flex

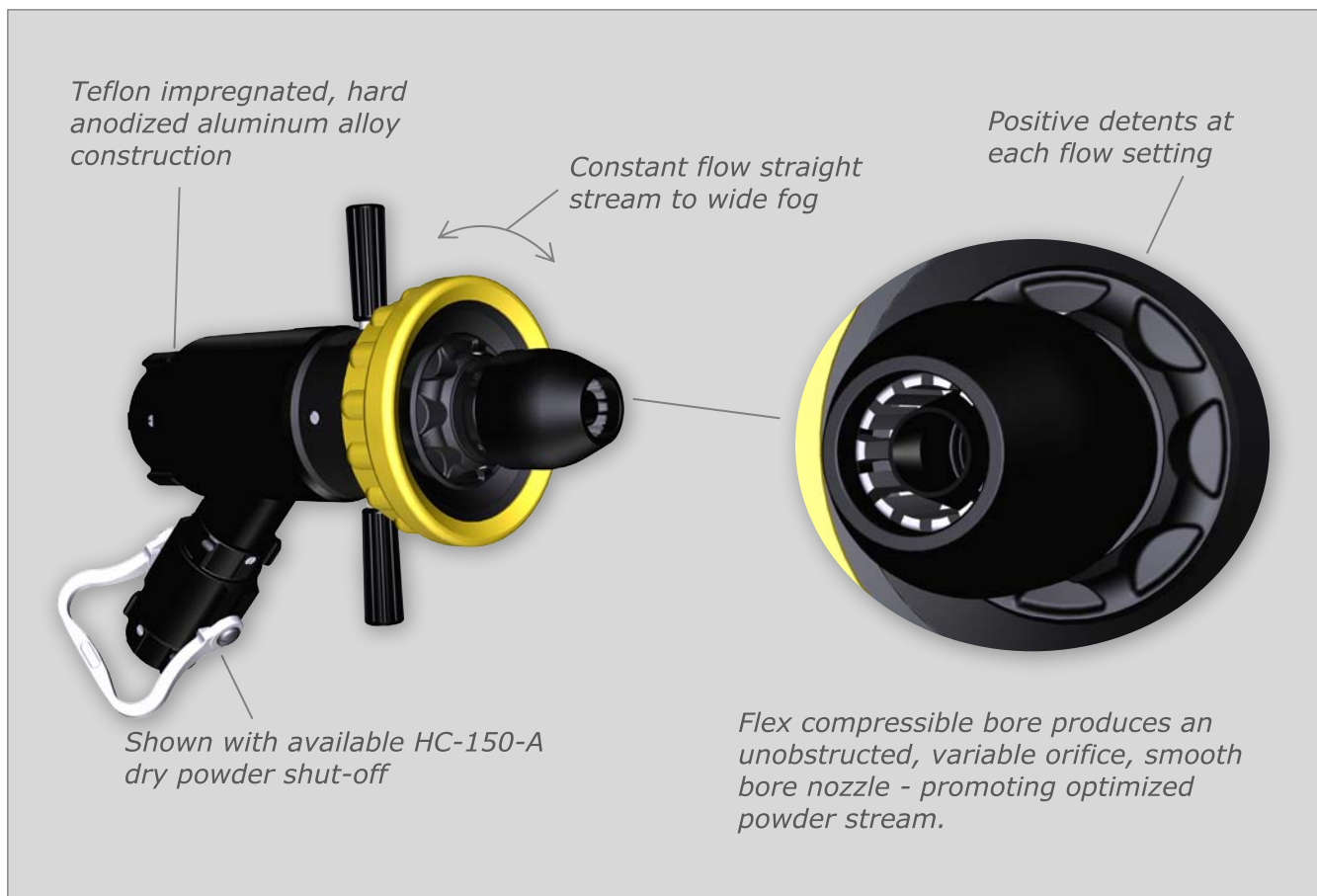
Selectable gallonage and selectable dry chemical shot masterstream nozzle

The Hydro-Chem Flex combines the patented **Hydro-Chem** entrained powder technology of Williams Fire & Hazard Control with Elkhart's patented **Flex** variable smooth bore technology. The **Hydro-Chem Flex** provides the highest performance, most flexible application of dry chemical extinguishing agents available.



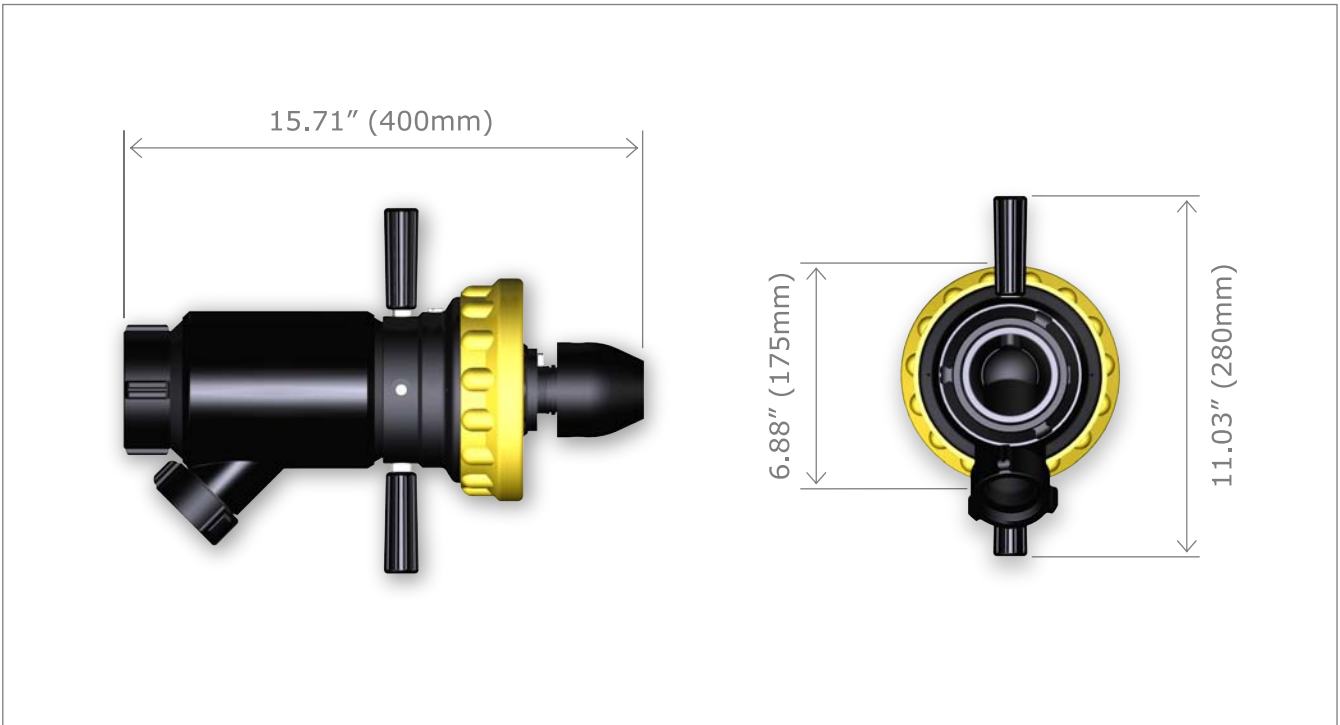
Hydro-Chem entrainment of the dry chemical shot within the annular water/foam stream produces dramatically improved powder range, reduced product loss, and improved penetration of the thermal barrier.

The Flex (variable smooth bore) dry chemical orifice may be instantly adjusted from 0.44in² to 0.95 in² to optimize nozzle performance across a powder shot range between 10lb/s and 20lb/s and higher depending on the powder delivery equipment.



HC-750-FLX Hydro-Chem Flex

HC-750-FLX Hydro-Chem Flex Masterstream Nozzle		
	Water/Foam Function	Dry Chemical Function
Inlet	2.5" F NH	1.5" F NH
Inlet pressure	75 PSI (5 Bar)	150 PSI (10.3 Bar)
Flow settings	300/500/750 GPM (1150/2000/2900 LPM)	10/20 lbs per sec 4.5/9 kg per sec
Construction	Teflon impregnated hard anodized aluminum alloy	
Weight	11.7 lbs. (5.3 kg)	



Flow Setting GPM (LPM)	Stream Setting	Nozzle Discharge U.S. GPM (LPM)				
		Nozzle Inlet Pressure PSI (BAR)				
		50(3.5)	75 (5)	100 (7)	125 (8.5)	150(10)
300 (1150)	Straight Stream					
	Narrow Fog	245 (927)	300 (1150)	346 (1311)	387 (1466)	424 (1606)
	Wide Fog					
500 (2000)	Straight Stream					
	Narrow Fog	408 (1545)	500 (2000)	577 (2185)	645 (2443)	707 (2676)
	Wide Fog					
750 (2900)	Straight Stream					
	Narrow Fog	612 (2318)	750 (2900)	866 (3278)	968 (3665)	1061 (4015)
	Wide Fog					

