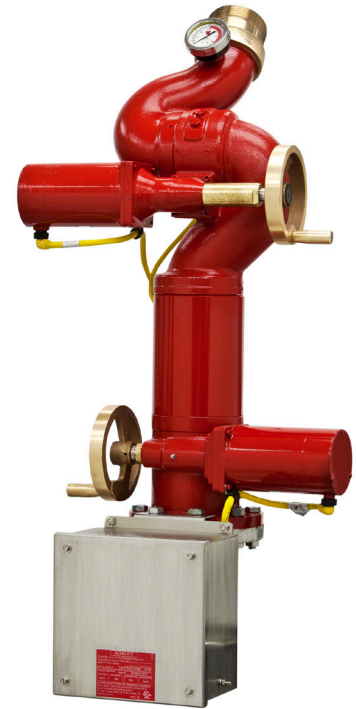


# Industrial Monitor

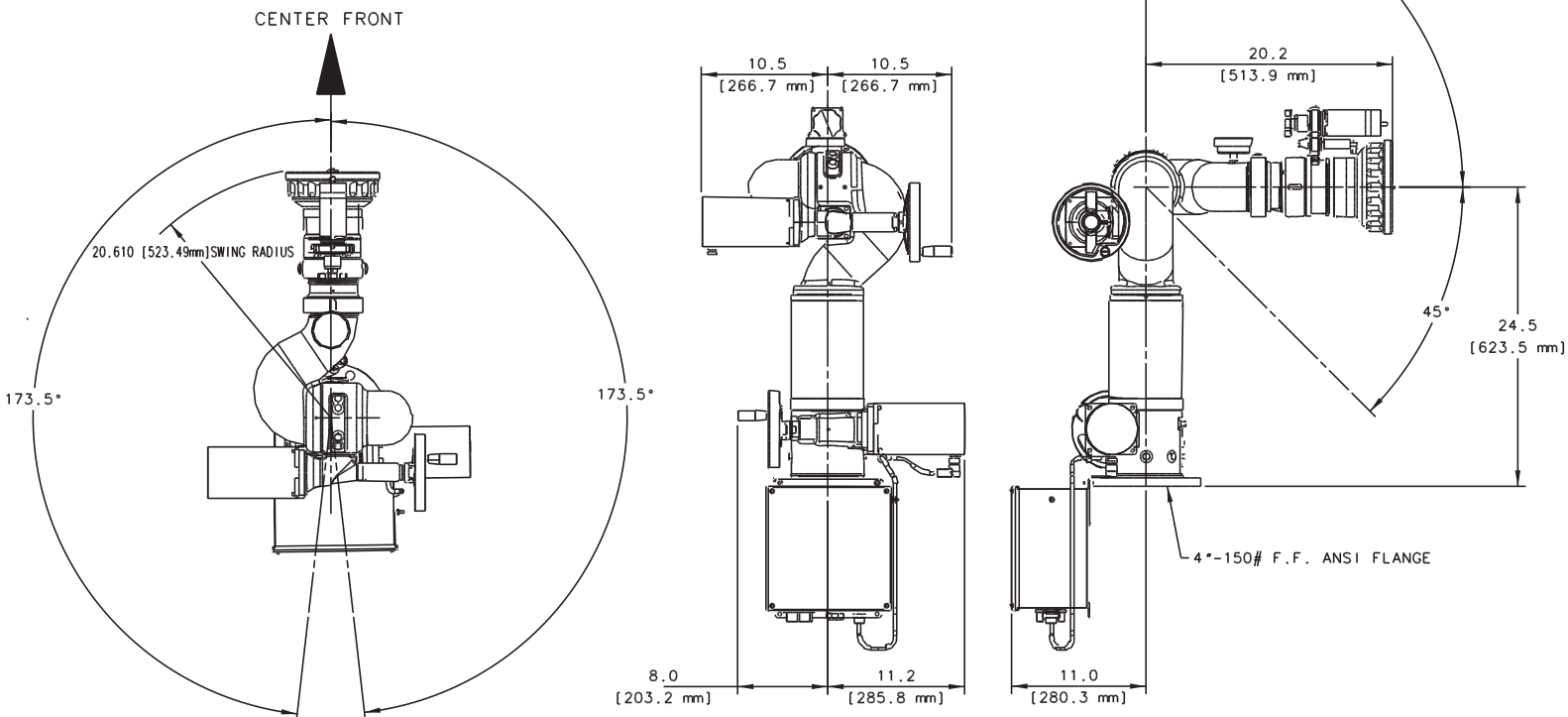
8394053 Brass Spit-Fire

## Features:

- **Construction:** All brass with vaned 4" waterway
- **Stream:** #284-B brass shaper included
- **Motors:** 120 VAC, TENV synchronous motors (non-arcing)
  - Constant torque output and current in start, running, and stall
  - UL recognized for Class I, Division 2 use, IP67 rated
  - Will not cause damage or increase in current when motor is stalled
  - Instantaneous start, stop, and reverse
  - Residual (power off) torque is always present
  - Long life and exceptional reliability
  - 120 VAC, 50/60 Hz., 1 Phase, 0.80 AMP current per motor
  - Suitable for continuous use
- **Rate of Horizontal Motion:** 0.139 Sec/°
- **Junction Box:** Corrosion resistant ATEX certified & UL listed enclosure with terminals for hazardous locations. Stainless steel motor cable junction box with bracket to attach to monitor, flange base included.
- Meets NEC (NFPA 70) Article 501 requirements for use in Class I, Groups A, B, C, & D, Division 2 & Article 505 - Class I, Zone 2, A Ex nA IIC T4 hazardous location areas.
- **FM Approved:** Includes whole monitor assembly (motors, cables, junction box, etc.)
  - FM approved for Class I, Division 2 use, Groups A, B, C, & D, T4
  - Motors and cables FM rated to IP67, Junction Box FM rated to IP66
- Meets FM requirements at -40°C



*Spit-Fire Monitor*



# Spit-Fire 8394053 Monitor

SPECIFICATIONS	
Model	8394053
Max Flow	2000 GPM (7570 LPM)
Max Pressure	200 PSI (13.79 BAR)
Inlet	4"-150# ANSI Flange
Outlet	3.5" Male NHT
Travel	V: -45° to +90° (135°)
	H: L173° to R173° (346°)
Input Power	120 VAC (50/60Hz.) 2 Phase as supplied by MMCP
Electrical Load	2 AMPS per monitor / 0.80 AMPS per motor
Temp Range	-40°F to +185°F (-40°C to +85°C) with water flowing
	-18°F to +185°F (-28°C to +85°C) without water flowing
Weight	300 Lbs. (136 Kg.)

**8294053 Spit-Fire Static Pressure Drop**  
 (4.0" Inlet and 3.5" Outlet)

— With Stream Shaper    - - - Without Stream Shaper

