

Industrial Electric Butterfly Valve

With quarter-turn electric actuator

Principle of Operation

The electric motor drives an epicyclical gear train via a spur reduction. The epicyclical gear train has a single compound planetary gear which meshes with two internally toothed gears, one being the fixed annulus and the other being the output gear. The fixed annulus gear has external helical teeth meshing with a transversely mounted worm gear, thus locking the annulus into a fixed position. The worm gear can drive the annulus; eliminating the need for a declutch mechanism to enable manual operation.



Electric Butterfly Valve

Actuator position is controlled with a position sensor directly coupled to the actuator's output drive.

Electrical Operation

Clockwise or counter-clockwise rotation may be selected during actuator setup. An open or close electrical command will cause the actuator to move to the extreme end of travel or to a partial position.

Manual Operation

Manual operation can be utilized when there is no power to the actuator or during initial actuator setup and calibration. The manual operating device is completely independent of the motor drive and can be operated at any time (even during electrical operation) without endangering the actuator. The handwheel does not rotate during electrical operation.

To close the valve, turn the handwheel clockwise.

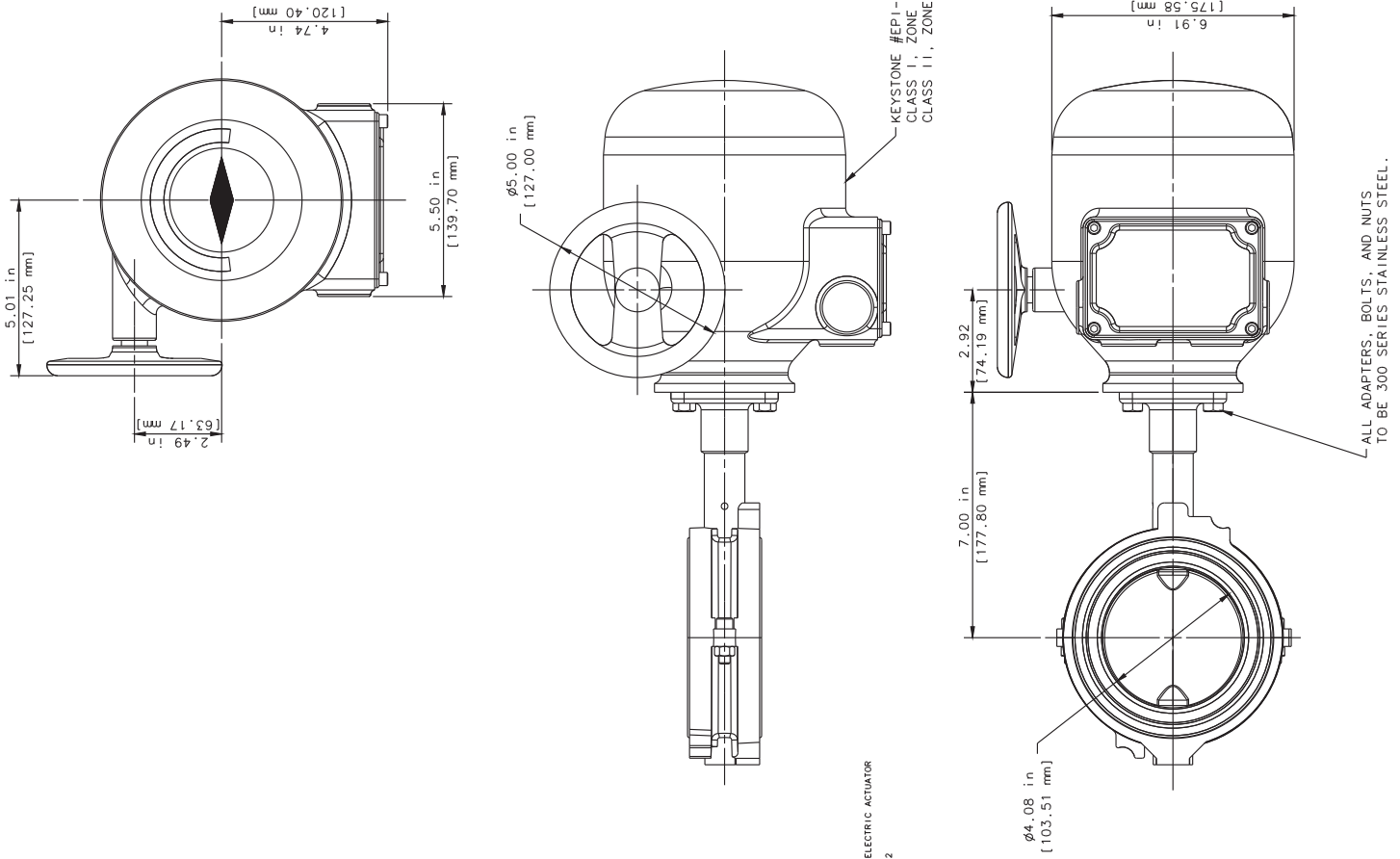
To open the valve, turn the handwheel counter-clockwise.

If the handwheel is used during electrical operation the actuator will stop.

SPECIFICATIONS				
Valve Size	4"		8"	
Actuator	EPI 2-E013		EPI 2-E025	
Torque (in/lbs.)	1300		2500	
Volts (AC)	120	240	120	240
Run Amps	1.10	0.70	1.60	0.95
Stall Amps	1.32	0.84	1.92	1.14
Weight	29 lbs. (13.2 kg.)		45 lbs. (20.4 kg.)	
Pressure Rating	125/150 PSI (8.6/10.3 BAR)			
Power	120/240 VAC, 50/60Hz., 1-Phase			
Operating Temp	-40°F to +149°F (-40°C to +65°C) with 80% humidity			
Material	316 Stainless Steel Body, Shaft, & Valve Disc Aluminum Actuator and Handwheel			
Certifications	FM Approved: Class I, Zone 1, AEx/Ex de IIB T5 Class II, Division 1, Groups E, F, & G Class III, T4 NEMA 4, 4X, & 6 - IP66/68			

Industrial Electric Butterfly Valve

4" EPI 2-E013



8" EPI 2-E025

