

NITRO HD

COMPACT, HIGH FLOW ELECTRIC MONITOR



MONITOR

- Stainless Steel thrust rods and thrust bearings for maximum durability and resistance to sheer load and vibration
- Sealed high-torque motors
- Simple, Plug and Play Installation (12V or 24V)

NOZZLE

- 750 GPM Flow Rate (2840 LPM)
- Environmentally sealed nozzle capable of 90° fog or straight stream flow pattern

JOYSTICK

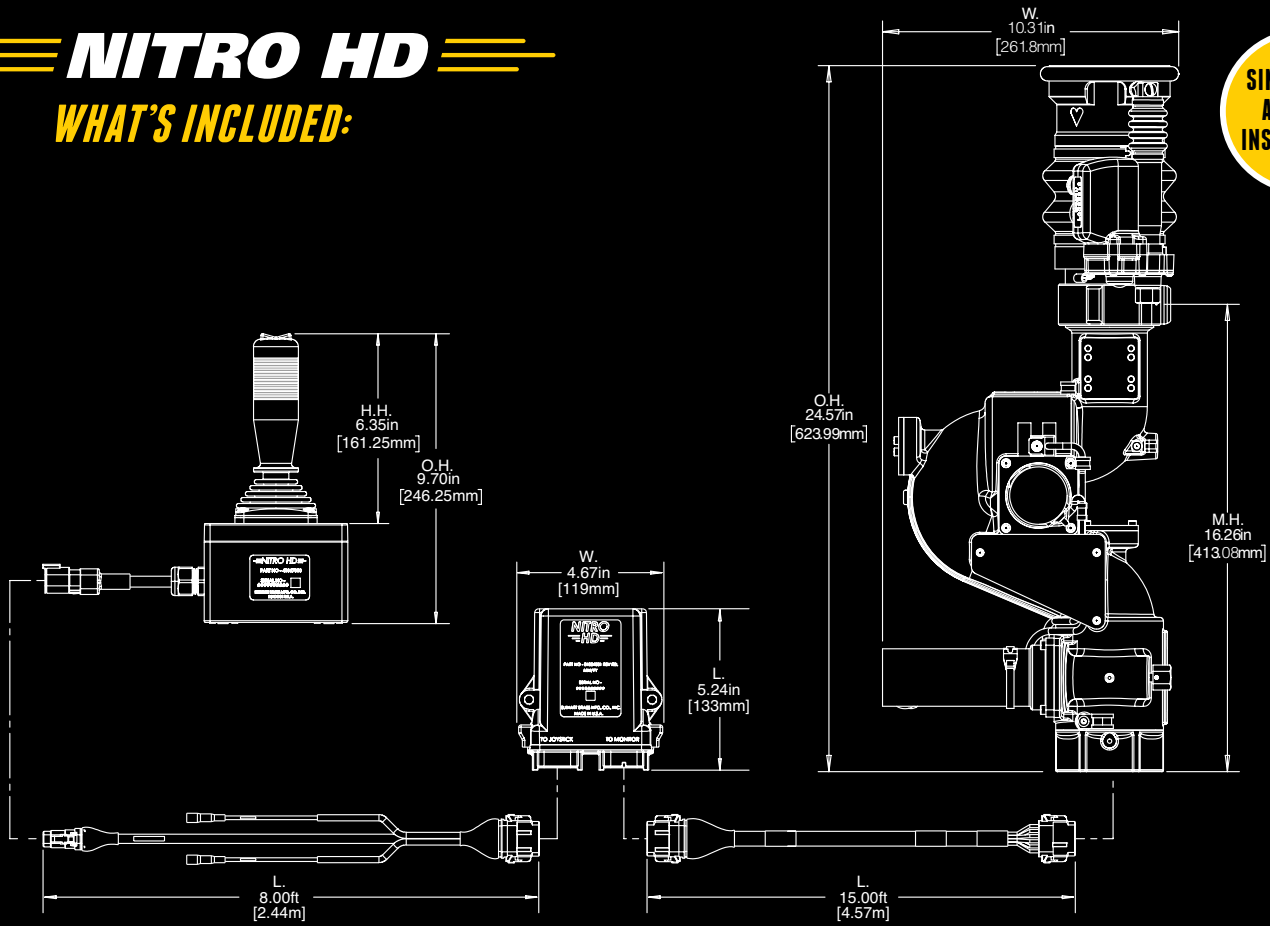
- Simple joystick control
- Up/Down/Left/Right/Fog/Stream
- Water Valve Control

DUST CONTROL • EQUIPMENT WASHDOWN • FIREFIGHTING

NITRO HD

WHAT'S INCLUDED:

SIMPLE PLUG AND PLAY INSTALLATION



SPECIFICATIONS	
Model	8100
Max Flow	750 GPM (2840 LPM)
Max Pressure	250 PSI (17.2 bar)
Inlet	2.5" NPT
Outlet	2.5" NHT
Vertical Travel	Max 135°
Horizontal Travel	Max 350°
Swing Radius	9.0" (230 mm)
Stow Height	13.2" (335 mm)
Weight	17 lbs (7.7 Kg)
Voltage	12 or 24 VDC (auto)

NITRO HD STREAM REACH	
Flow (GPM)	Reach (Feet)
350	125
500	150
700	175

Flow (LPM)	Reach (Meters)
1325	38
1893	46
2650	53

*At rated pressure of 100 PSI and a 32° angle above ground elevation.

OPTIONS

- 181A SMOOTH BORE NOZZLE
- 282A MINI STREAM SHAPER
- QUICK CONNECT