

DATA SHEET

Sidewinder® UHP EXM2 Monitor

Model 7161X2UHP

More Power. Less Water.

Designed to meet U.S. Military standards, the compact, ultra high pressure Sidewinder EXM2 UHP is now being offered for other applications.

The Sidewinder UHP EXM2 is an Ultra High Pressure version of the Sidewinder EXM2. Utilizing the new EXM2 operating platform, the 7161X2 Series features built-in Wi-Fi for simple programming and setup. The EXM2 controls, both wired and wireless, provide improved performance and operator control.

With flow rates up to 300 GPM (1200 LPM), the 7161 UHP meets the demands of ultra high pressure firefighting.

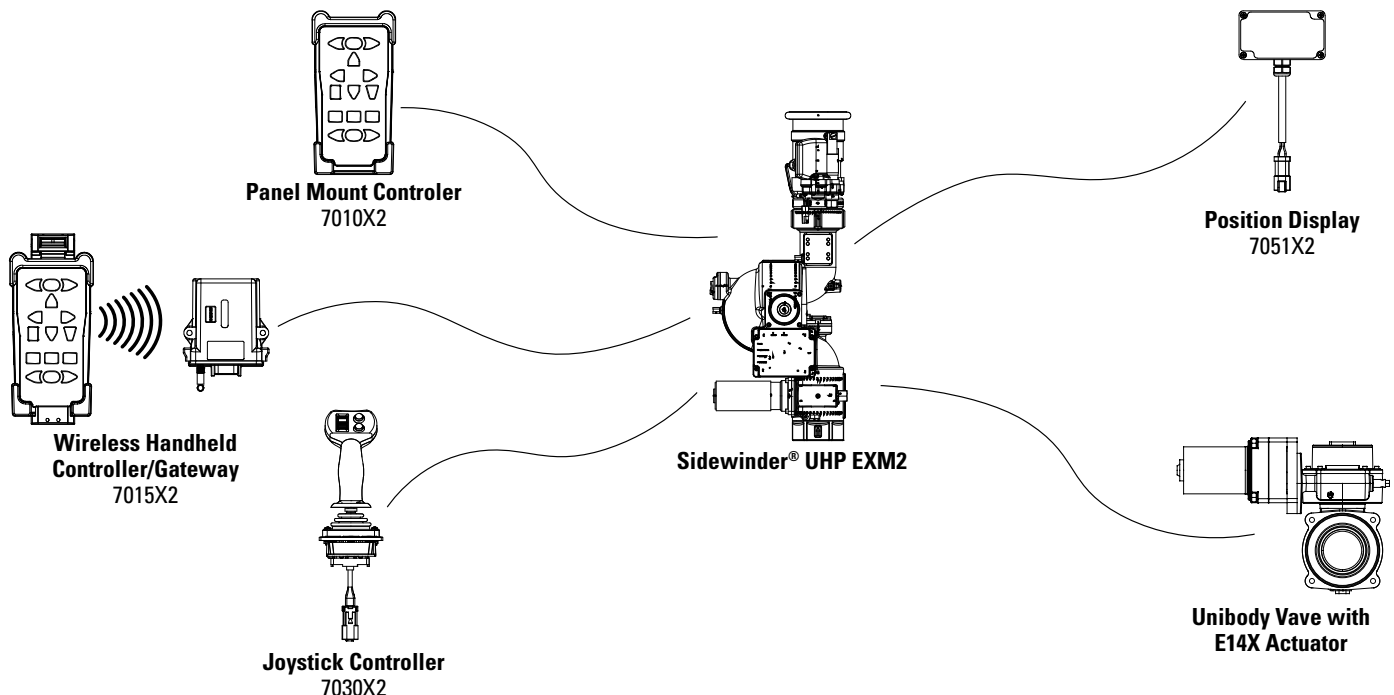


Mechanical Features

- 300 GPM (1200 LPM) Flow
- Motors and control components sealed to NEMA 4
- Axially aligned thrust bearings for extreme durability
- Absolute position sensors for precise control
- Manual override control in event of power failure
- Teflon impregnated, hard anodized aluminum alloy waterway
- Extreme torque motors

Control Features

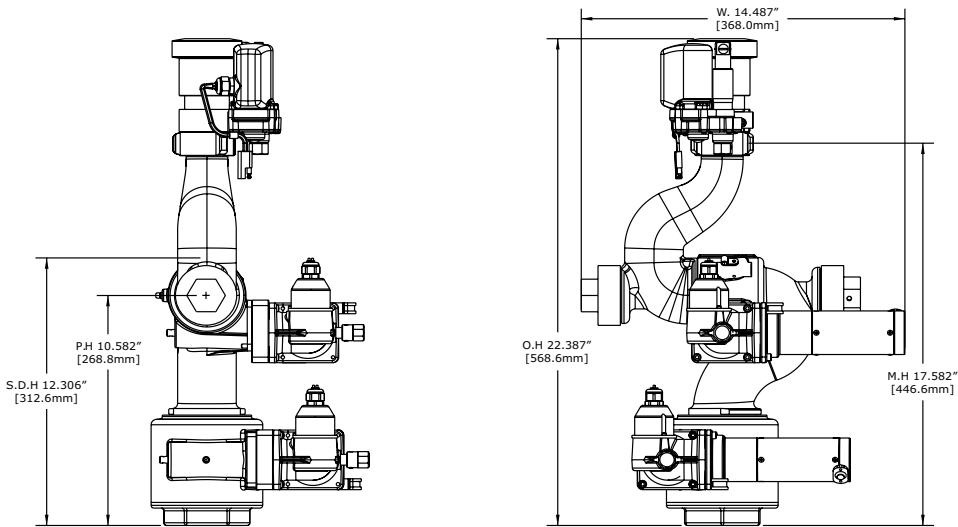
- 12 or 24VDC Compatible
- Wired or wireless control options
- CANBUS J1939 compatible
- Programmable STOW, DEPLOY and OSCILLATION
- Programmable travel limits and keep out zones
- Programmable travel speeds
- Integrated water valve control



DATA SHEET

Sidewinder UHP EXM2 Monitor

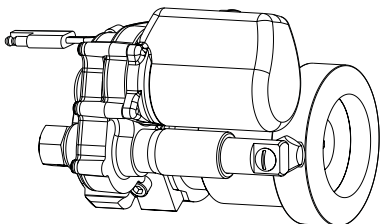
Specifications	
Model:	7161X2UHP
Max Flow:	300 GPM (1200 LPM)
Max Pressure:	1500 PSI (105 bar)
Inlet:	2.5" NPT
Outlet:	1.5" NHT
Travel:	Vertical: -45° to +90° (135°) Horizontal: L90 to R90 (180°)
Voltage:	12 or 24 VDC compatible
Control:	CANbus J1939
Communication:	915 MHz RF - FCC 868 MHz RF - CE
Material/Finish:	Teflon impregnated, hard anodized Elk-O-Lite®
Stow Height:	12.3" (313 mm)
Weight:	27 lbs (12.2 kg)



5000 Series Master Stream Nozzles

The 5000-14E is an electrically actuated master stream nozzle for use with the Sidewinder EXM UHP monitor. The electric actuators are completely sealed and allow precise pattern control from straight stream to wide fog.

Electric Nozzle Specifications			
Model	Inlet	Pressure PSI (BAR)	Flow Range - GPM (LPM)
5000-14EUHP	1.5"	100 (7)	60 (240) with Flush



5000-14E

07-27-20

1-574-295-8330
www.elkhartbrass.com



ELKHART BRASS
FIRE FIGHTING EQUIPMENT A SAFE FLEET BRAND