

SIDEWINDER® EXM UHP

More Power. Less Water.

Designed to meet U.S. Military standards, the compact, ultra high pressure Sidewinder EXM UHP is now being offered for other applications.

The Sidewinder EXM UHP is an Ultra High Pressure version of the Sidewinder EXM, and uses the same EXM control platform. Developed as the successor to the radio frequency (RF) control series, the EXM operating system is a "plug and play" digital communication and control architecture that simplifies installation while greatly expanding builder and user selectable options.



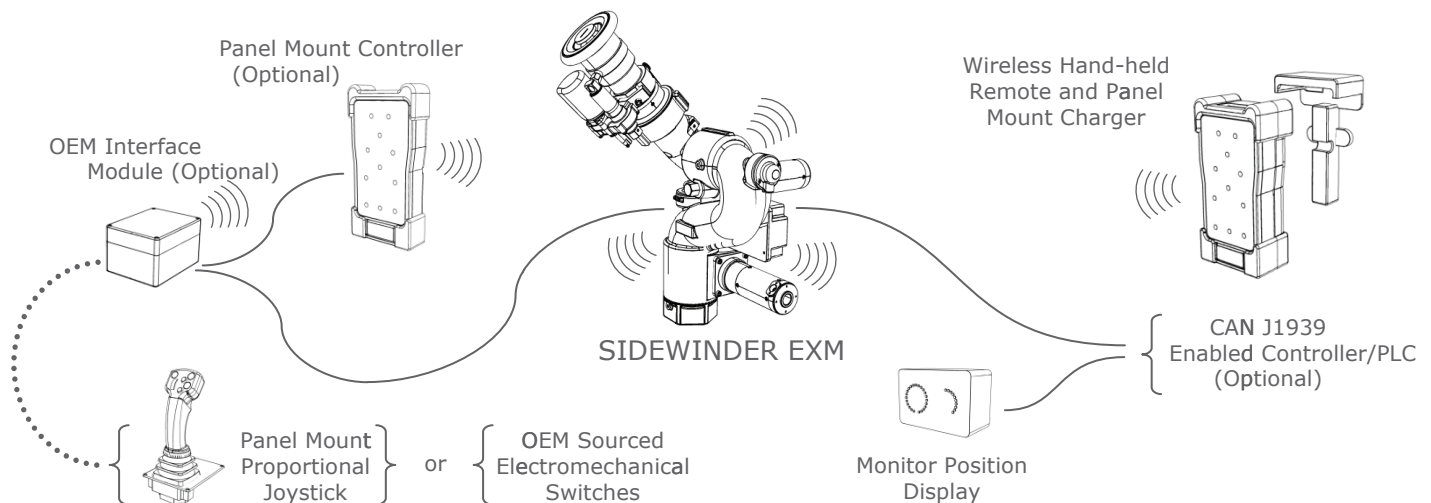
Mechanical Features:

- Sealed to NEMA 4
- Patented elliptical waterway
- 1500 PSI Max Pressure
- Axially aligned thrust bearings
- Absolute position sensors
- Manual travel override
- Fully potted electronics (waterproof)
- Teflon impregnated, hard anodized aluminum alloy waterway
- Extreme torque motors
- High efficiency sealed planetary gearboxes

Control Features:

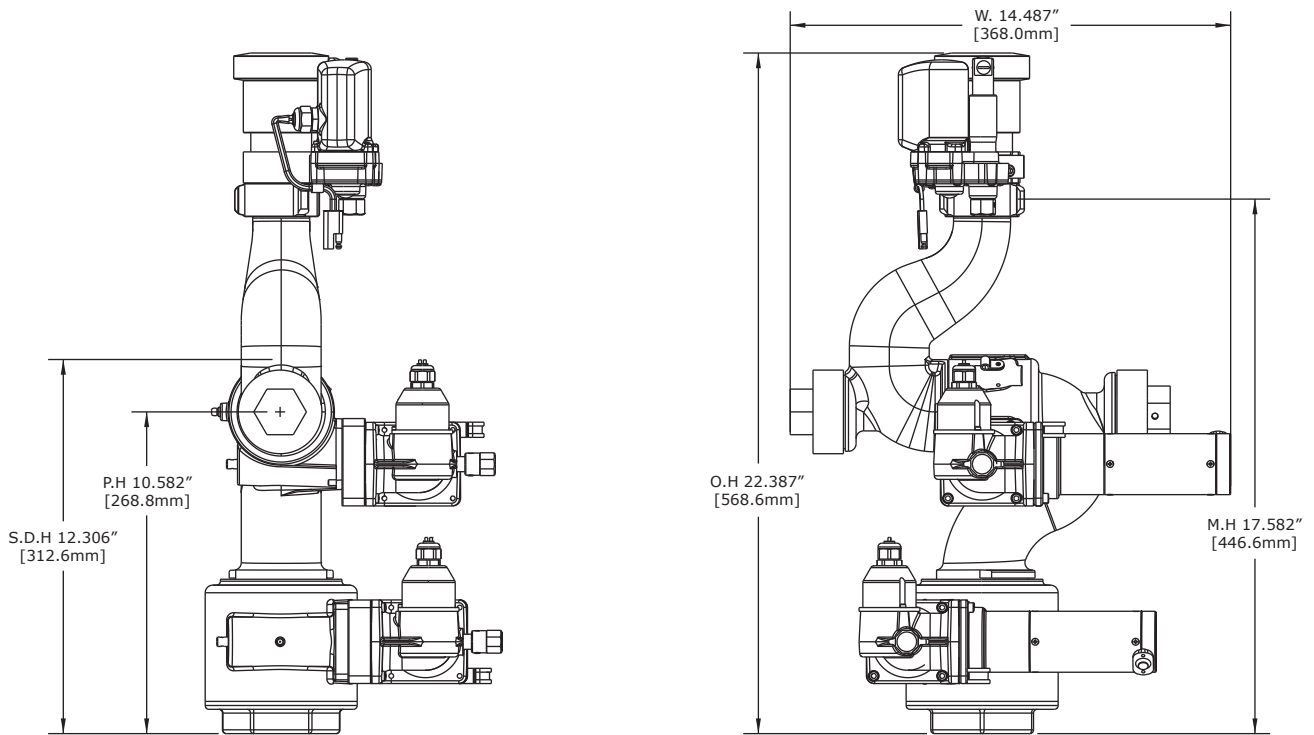
- Universal input voltage 12-24VDC
- Wired or wireless communication
- CAN bus J1939 compatible
- Programmable travel speeds
- Single speed, two speed, or fully proportional speed control
- Programmable 3D travel limits
- Programmable block out zones
- Programmable stow
- Programmable oscillation
- Position display

Wired or Wireless Connection



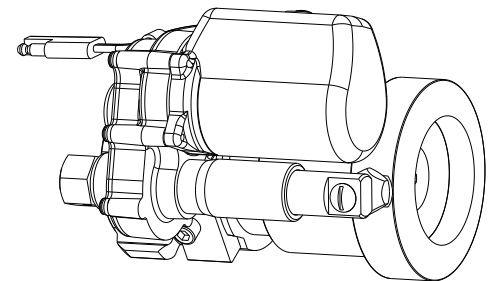
SIDEWINDER® EXM UHP

SPECIFICATIONS	
Model	7161
Inlet	2.5" NPT
Outlet	1.5" NHT
Travel	v 135° (-45° to +90°) h 180° (L90° to R90°)
Voltage	12-24v
Control	Sealed Electric Motors
Control	CAN bus - J1939
Communication	2.4 GHz digital radio frequency (unlicensed)
Weight	27 lbs.
Max Pressure	1500 psi



5000 Series Master Stream Nozzles

The 5000-14E is an electrically actuated master stream nozzle for use with the Sidewinder EXM UHP monitor. The 5000-14E is available in three pressure and flow configurations (see table below). The electric actuators are completely sealed and allow precise pattern control from straight stream to wide fog.



5000-14E

SPECIFICATIONS		
Model	Inlet	Pressure & Flow (GPM)
5000-14E	1.5" NHT	60 GPM @ 1200 PSI (05000155)
		75 GPM @ 1400 PSI (05000154)
		100 GPM @ 1500 PSI (05000153)