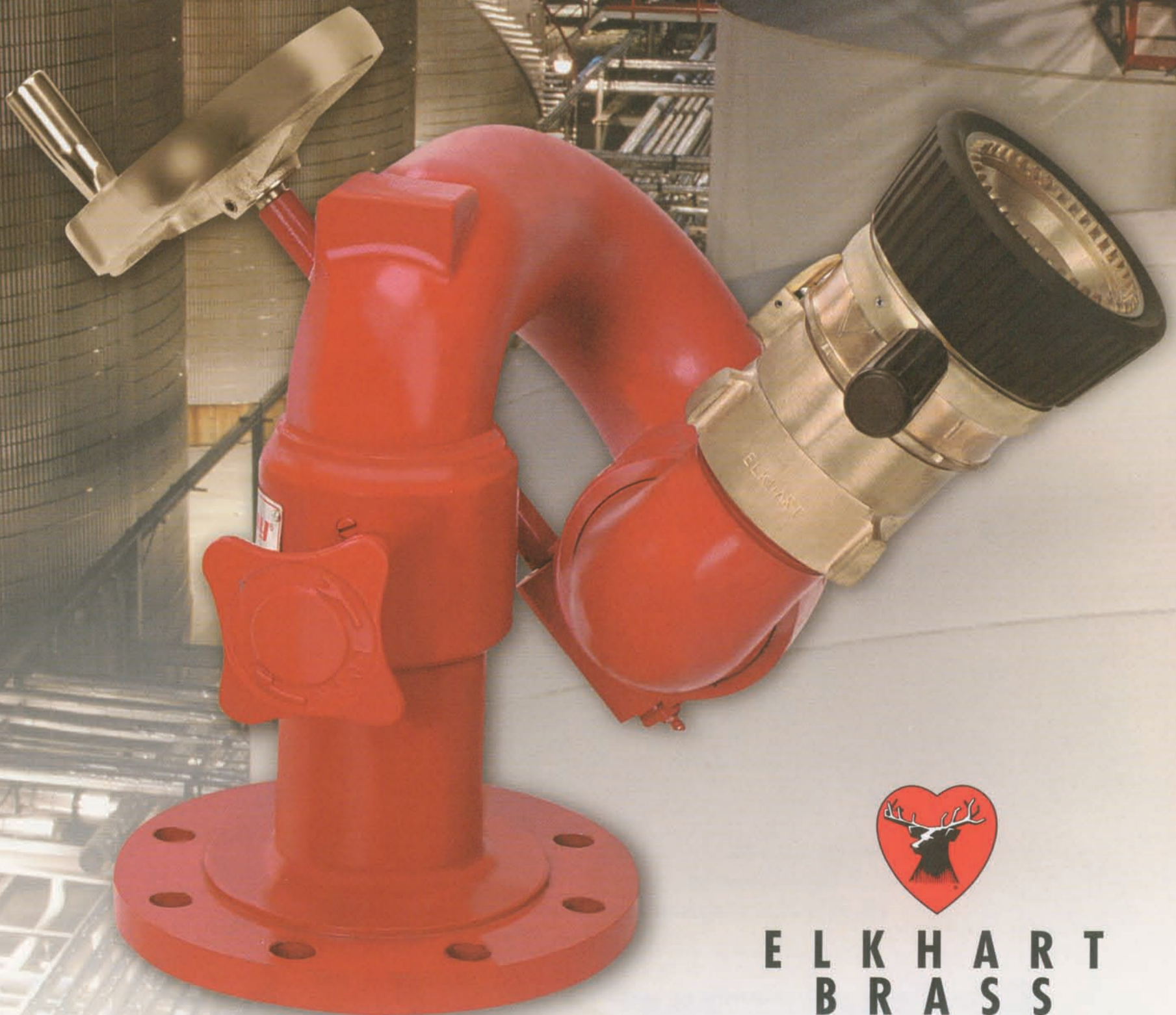


# *Stingray*®

INDUSTRIAL MONITORS



**E L K H A R T  
B R A S S**

# Stingray®

## FEATURES:

- Rugged, Corrosion Resistant Brass Construction
- Flows up to 1250GPM
- FM Approved
- Flow Efficient 3.00" Waterway
- Fully Enclosed Gearcase with Stainless Steel Worm
- 140° Vertical Travel — 70° Above to 70° below Horizontal
- 360° Horizontal Rotation with Twist Lock
- Bronze Balls in all Swivel Joints
- Grease Fittings for Easy Lubrication
- Compact Size
- Durable Acrylic/Urethane Finish

## BENEFITS:

- Years of Dependable Service
- Ease of Operation
- Minimal Friction Loss
- Safe Operations
- Minimal Field Maintenance
- Flexible Installation Options
- Cost Effective
- Easy and Flexible Installation
- Elkhart Quality
- Gear Assures Positive Vertical Lock

## OPTIONS:

- 3.0" or 4.0" ANSI Flange Inlet
- 3.0" NPT Female Inlet
- Available as Hydrant Mount
- Available as Wheeled Portable Unit
- Model 282B Stream Shaper
- Model 181 Smooth Bore Deluge Tip
- Excellent Performance with J, JN, CJ-B, CJN-B, CSW-LB, IMS-500 or SM-100B Master Stream Nozzle



**Stingray®**  
Hydrant Monitor  
8393H w/  
Optional J Nozzle

Hydrant Mount has  
2.5" Swivel Connection  
Fits up to 10.875" Hydrant Barrel



**Stingray®** Station Monitor  
8393 w/ Optional 282B  
Stream Shaper and 181 Deluge



**Stingray®** Station Monitor  
8393 w/ Optional  
SM-100B Nozzle

**Stingray® . . . " The New**

## 8393TW Two-Wheeled Portable **Stingray**<sup>®</sup>

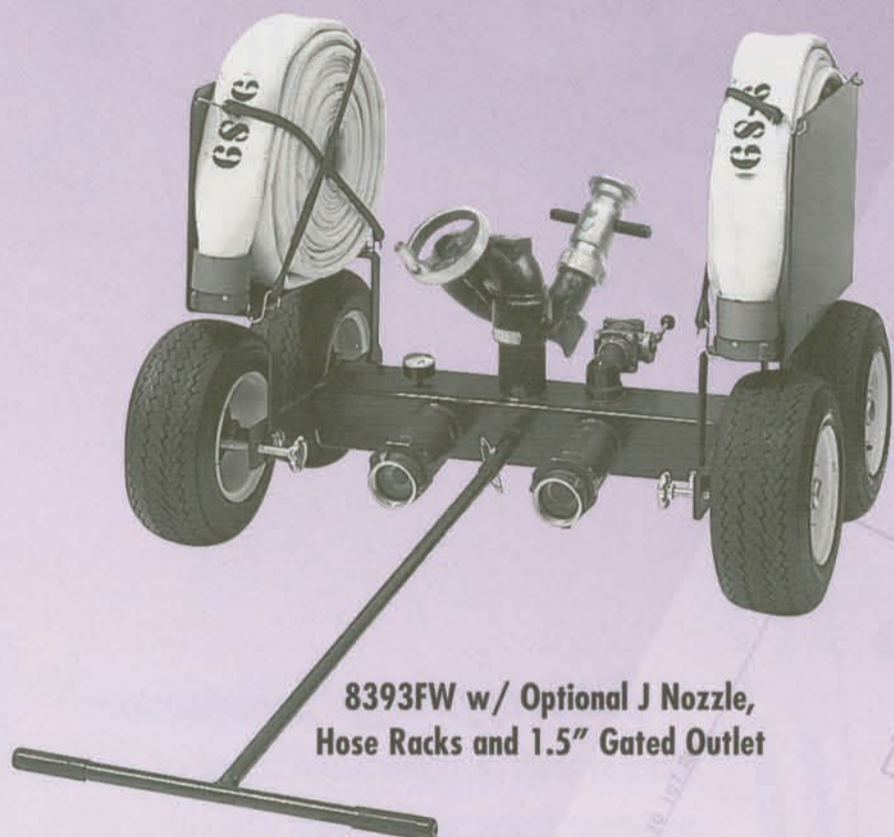
- **Stingray**<sup>®</sup> Mounted on Two-Wheeled Trailer
- For Flows up to 1000GPM
- Flow Efficient 4.0" Manifold
- Two 2.5" Clappered Inlets
- Built-in 300 PSI Gauge and Drain
- Safety Stops at 45° Either Side of Center and 25° Above Horizontal
- Furnished with Pneumatic Tires and Wheel Locks
- Two Hose trays (100' of 2.5" or 3.0" in Each)
- Furnished with 1.875" or 2.0" Coupler
- Durable, Red Acrylic/Urethane Finish
- Optional 3<sup>rd</sup> and 4<sup>th</sup> Inlets
- Optional 4.0" or 5.0" Storz Inlet



8393TW w/ Optional  
CSW-LB Nozzle and  
2 Additional Inlets

## 8393FW Four-Wheeled Portable **Stingray**<sup>®</sup>

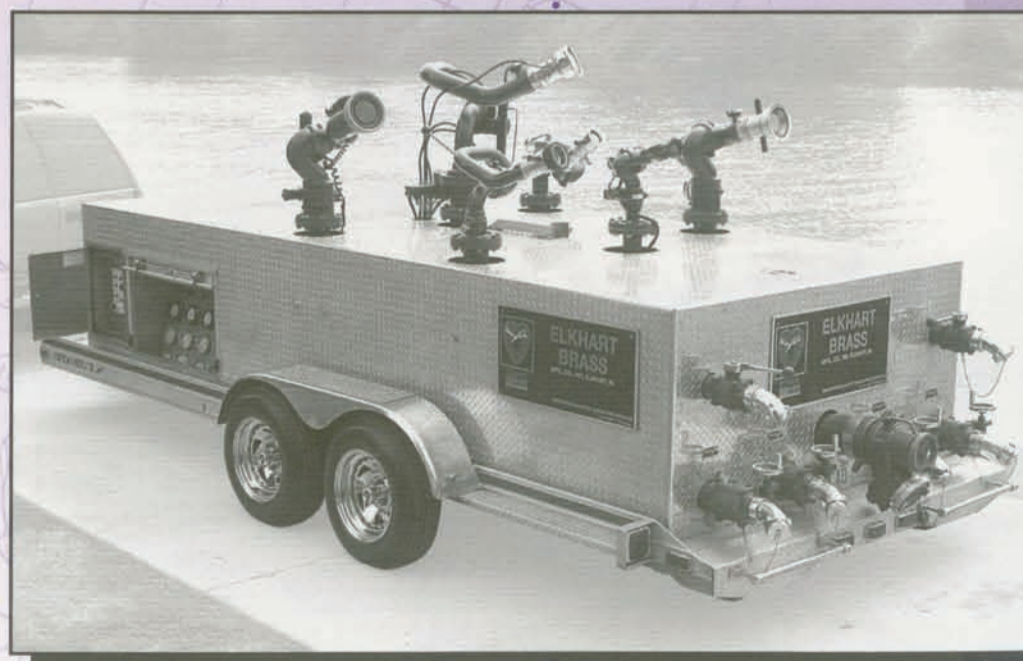
- **Stingray**<sup>®</sup> Mounted on Four-Wheeled Cart
- For Flows up to 750GPM
- Flow Efficient 4.0" Manifold
- Two 2.5" Clappered Inlets
- Built-in 300 PSI Gauge and Drain
- Safety Stops at 45° Either Side of Center and 25° Above Horizontal
- Furnished with Pneumatic Tires and Wheel Locks
- Detachable "Tee" Handle
- Durable, Red Acrylic/Urethane Finish
- Optional 3<sup>rd</sup> and 4<sup>th</sup> Inlets
- Optional 4.0" or 5.0" Storz Inlet
- Optional Hose Racks Above Wheels
- Optional 1.5" Gated Outlet



8393FW w/ Optional J Nozzle,  
Hose Racks and 1.5" Gated Outlet

### Mobile Demonstration Unit.....

....is available to those industrial customers who would like to test and evaluate monitors, nozzles, foam eductors, etc., without disrupting their own equipment or fire system. The MDU can accurately meter flows up to 2500GPM and is ideal for side-by-side testing/evaluating for many types of equipment. It is also equipped with our state-of-the-art monitors including the **Stingray**<sup>®</sup>. For an industrial monitor demonstration in your plant, call, write, Fax or E-mail at any time.

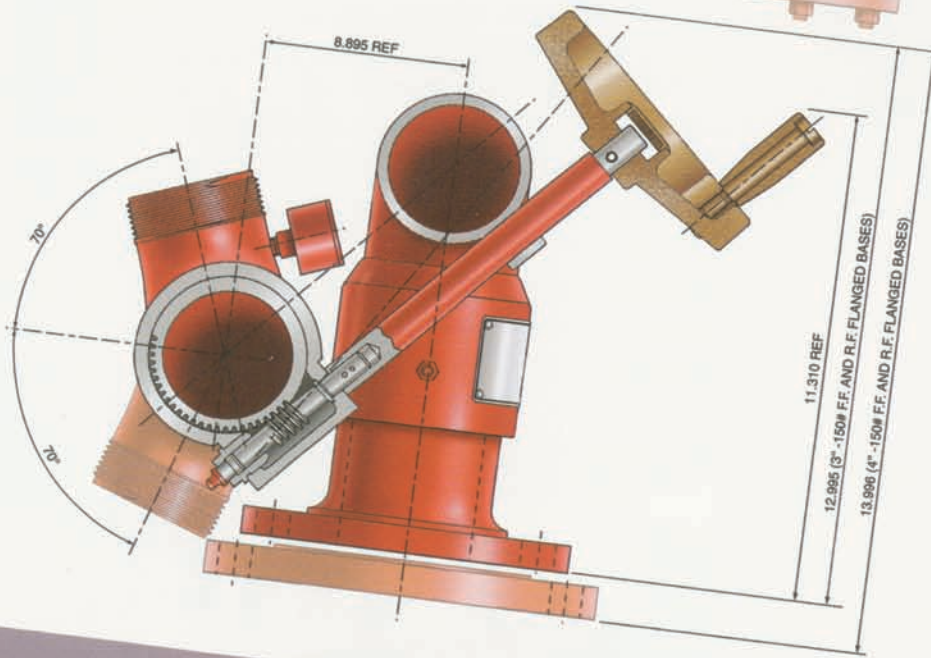
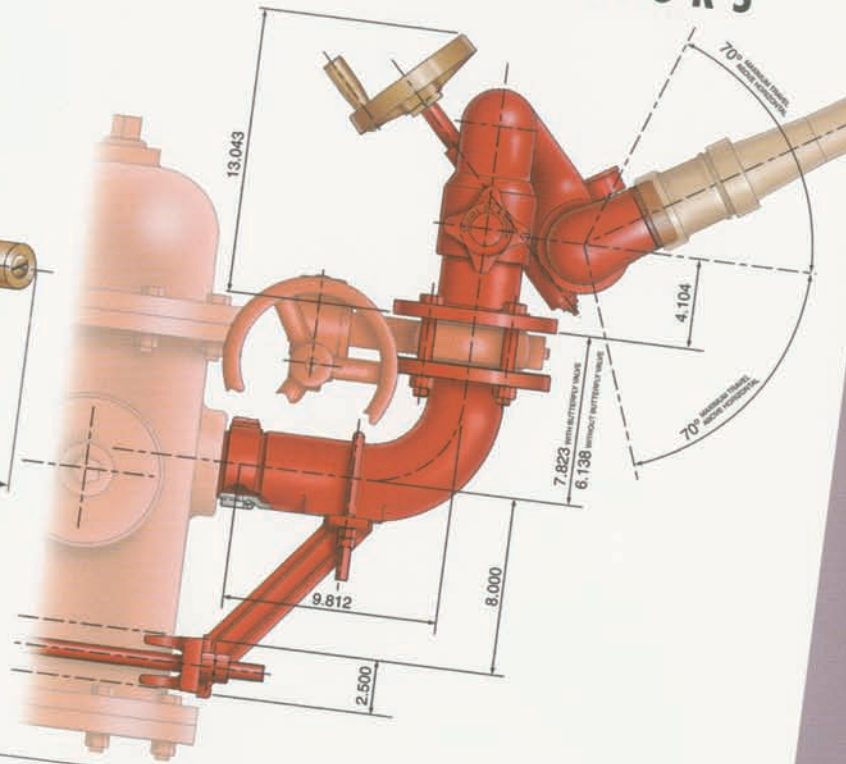
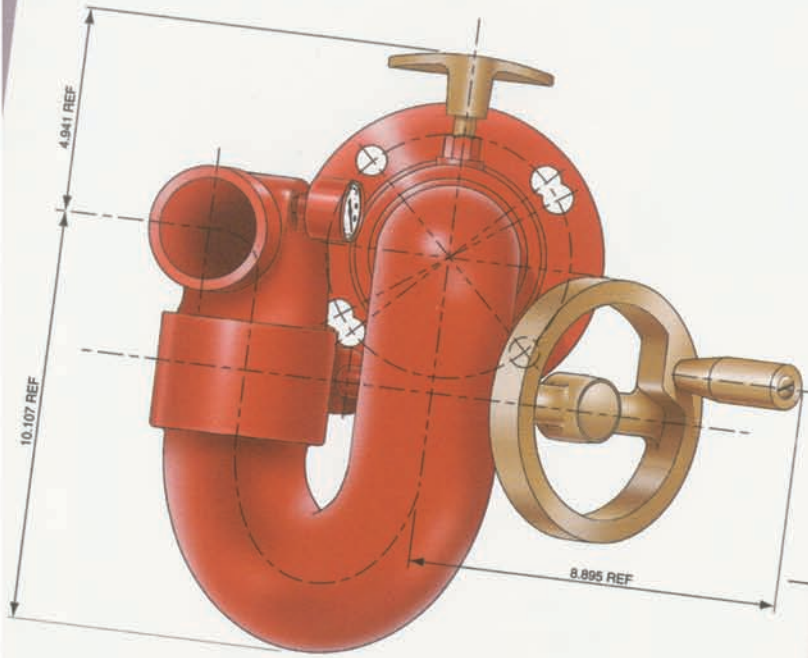


Elkhart Brass Mfg. Co., Inc., P.O. Box 1127 ■ Elkhart, IN 46515  
(219) 295-8330 ■ Fax: (219) 293-9914 ■ (800) 346-0250 ■ E-mail: [info@elkhartbrass.net](mailto:info@elkhartbrass.net)

119910M

Industry Standard™

# Stingray® INDUSTRIAL MONITORS



## Stingray® Specifications

Monitor shall be constructed of rugged, corrosion resistant brass alloys; shall have flow efficient 3.0" ID single waterway; shall be capable of flows up to 1250GPM; shall have handwheel driven worm gear, fully enclosed, for vertical travel of 70 degrees above to 70 degrees below horizontal; shall have full 360 degree horizontal travel with positive twist-lock mechanism; shall have grease fittings for easy lubrication of gearcase and ball races; shall be furnished with (choose one) 3.0"-150# ANSI flange base, 4.0"-150# ANSI flange or 3.0" FE NPT base; shall be FM approved; shall have red acrylic/urethane enamel finish.

Model	Flow		Disc. Thds.	Standard Bases and Inlets	Dimensions			Wt. Lbs.
	GPM	L/Min			Width	Depth	Height	
8393	1250	4730	2.5"	3.0", or 4.0"-150# ANSI Flange or 3.0" NPT Fe	14.75"	15.75"	15.75"	47.50
8393H	750	2840	2.5"	2.5" Fe Swivel	14.75"	18.25"	37.50"	85.00
8393FW	750	2840	2.5"	(2) 2.5" Fe Swivels	44.00"	66.00"	25.00"	230.00
8393TW	1000	3785	2.5"	(2) 2.5" Fe Swivels	67.00"	72.00"	34.00"	310.00

## Elkhart Brass Mfg. Co., Inc.

Post Office Box 1127 ■ Elkhart, IN 46515  
 Telephone (219) 295-8330  
 (800) 346-0250 ■ Fax: (219) 293-9914  
 web site: [www.elkhartbrass.com](http://www.elkhartbrass.com)  
 E-mail: [info@elkhartbrass.net](mailto:info@elkhartbrass.net)

