

UBEC 1AT

Automatic tank fill controller for use with Unibody Electric Valves

The AUTO TANK system is designed to work with around-the-pump foam systems where there is a need to fill the water tank and maintain low pressure at the pump intake while pumping foam.

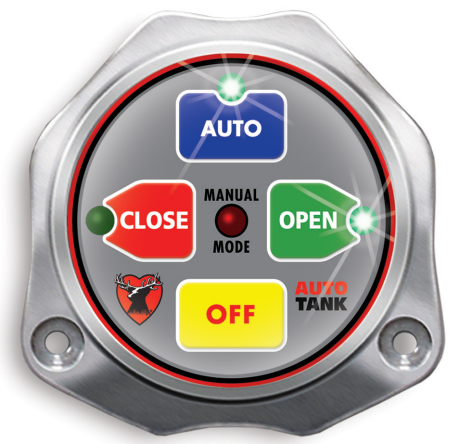
Normal operations would require pressurized water from a hydrant or pumper in relay to be connected to the input of the pump. During foam operations excessive pressure at the input side of the pump can cause the foam system to operate at partial capacity and fail to inject foam. This limits foam system operations to the amount of water in the tank. When pressurized supply water flow is controlled by the AUTO TANK system, the water volume in the tank of a pumper is automatically maintained. Low pressure water is available at the input side of the pump continuously to extend foam system operation capabilities.

Features:

- Maintains tank water volume between 50% and 95% full
- Controls water flow for any GPM rate
- For use with tanks over a 500 gallon capacity
- Self-calibrating for any shape or size tank
- Automatic or manual tank control

Components:

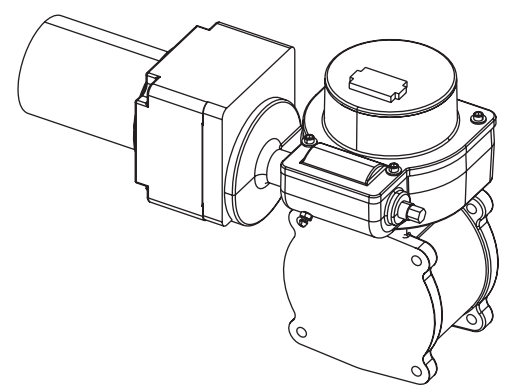
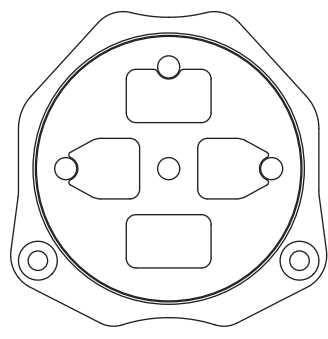
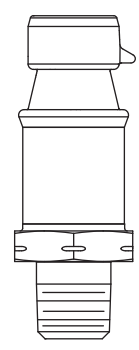
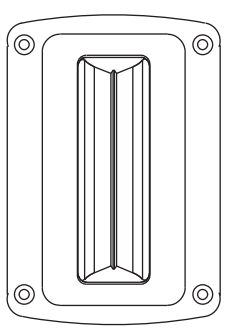
- TankVision Display Module
- Pressure Sensor
- AUTO TANK Control Module
- Elkhart E3F actuated Unibody Valve (Sold Separately)



AUTO TANK Control Module



TankVision Display Module



UBEC 1AT System

<p style="writing-mode: vertical-rl; transform: rotate(180deg);">TankVision Display Module</p>		<p>The tank volume display module is waterproof and has dimensions of 4.375" high by 3" wide. An output signal from a pressure sensor mounted on the tank is input to the display module. It is processed and the volume of liquid in the tank is shown on the 9 LED display. An output from the display module controls the opening and closing of the control valve when the automatic mode is selected.</p>
<p style="writing-mode: vertical-rl; transform: rotate(180deg);">Pressure Sensor</p>		<p>The pressure sensor is mounted on a side of the tank near the bottom. It provides a signal that is proportional to the volume of liquid in the tank to the input of the primary display module. The electrical connector is waterproof and molded into the pressure sensor housing.</p>
<p style="writing-mode: vertical-rl; transform: rotate(180deg);">AUTO TANK Control Module</p>		<p>The control module provides an interface between the TankVision display module and the valve. It has four push buttons that allow the operator to select the mode of operation.</p>
<p style="writing-mode: vertical-rl; transform: rotate(180deg);">E3F Actuated Valve</p>		<p>The E3F electric actuator is utilized for control of the tank fill valve. The AUTO TANK control module communicates to the E3F electric actuator via the J1939 data bus. It can be mounted on any standard size Unibody valve. Please note that the E3F actuated Unibody Valve is sold separately.</p>