

DATA SHEET

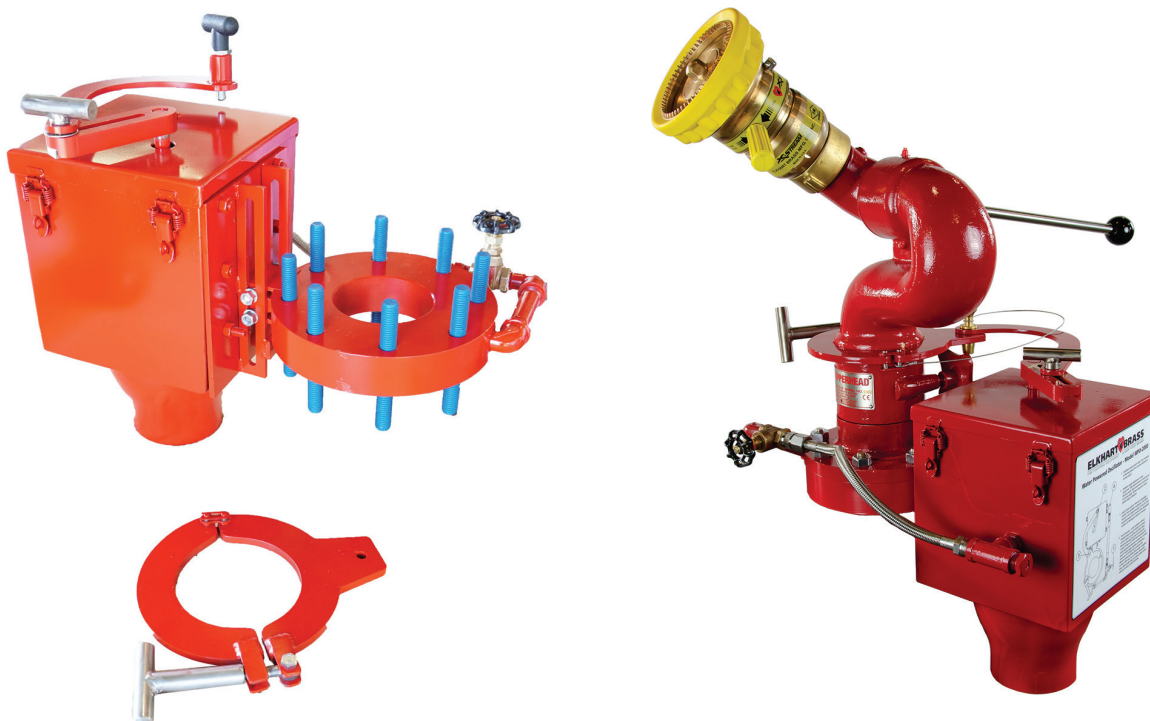
WPO-2000

Water Powered Monitor Oscillator

The WPO-2000 is designed to provide up to 30°/sec oscillation speed when installed between a monitor flange and supply piping flange or control valve flange. The WPO-2000 is the most versatile and reliable water powered monitor oscillator system available to the fire protection industry today. The WPO-2000 system is FM approved, has a US patent pending, and is suitable for installation in corrosive and non-corrosive environments.

Features:

- Maintenance free waterway
- Modular oscillator design enables compatibility with several types of monitors
- 316 Stainless steel construction provides outstanding corrosion resistance for use in corrosive environments
- Easily accessible external controls enable speed and travel range adjustments while system is in operation
- Double reduction oil bath gearbox ensures reliability and extended life for heavy use
- Manual override feature enables manual control at any time
- 15° to 120° arc of oscillation range for wide coverage area
- 10 psi (0.69 bar) minimum & 200 psi (13.8 bar) maximum operating pressure
- Supports wide range of monitors with up to 2000 GPM (7570 LPM) flow rates
- Compact size enables ease of installation
- Can be tested with a garden hose without flowing monitor



*Monitor not included

1-574-295-8330
www.elkhartbrass.com

ELKHART BRASS
FIRE FIGHTING EQUIPMENT A SAFE FLEET BRAND

WPO-2000

Water Powered Monitor Oscillator

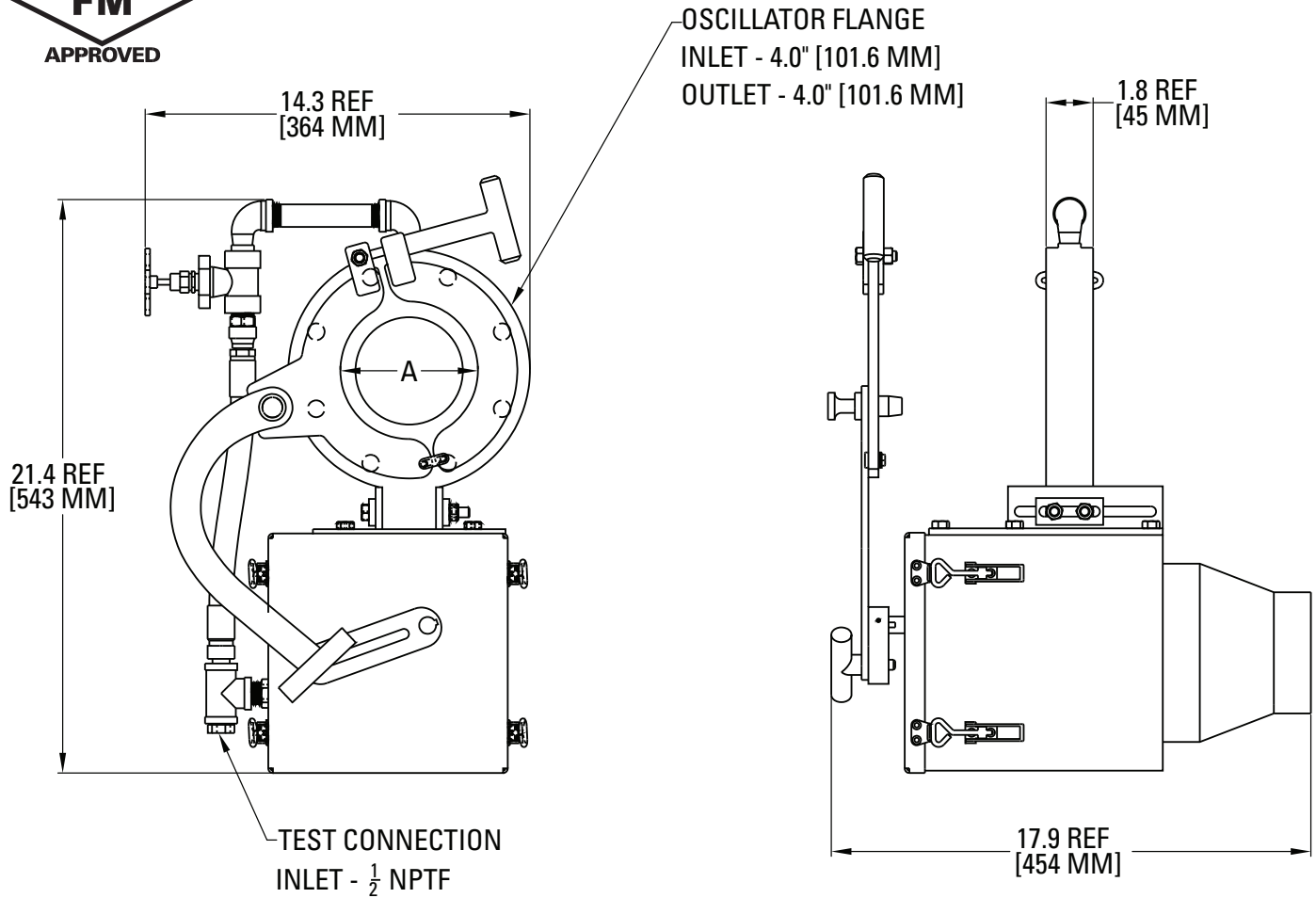
SPECIFICATIONS

Model	WPO-2000
Inlet	4"-150# Flange
Material	316 stainless steel construction
Speed	0-30°/sec oscillating speed range 24°/sec max @ 100 psi (6.9 bar)
Arc of Oscillation	15° to 120°
Max Operating Pressure	200 psi (13.8 bar)

Warranty:

- 5-Year limited warranty

Certifications:



CLAMP DIAMETER (DIMENSION A)

ITEM NUMBER	A (IN)	A (MM)
02000001	5.25	133.35
02000002	6.50	165.10