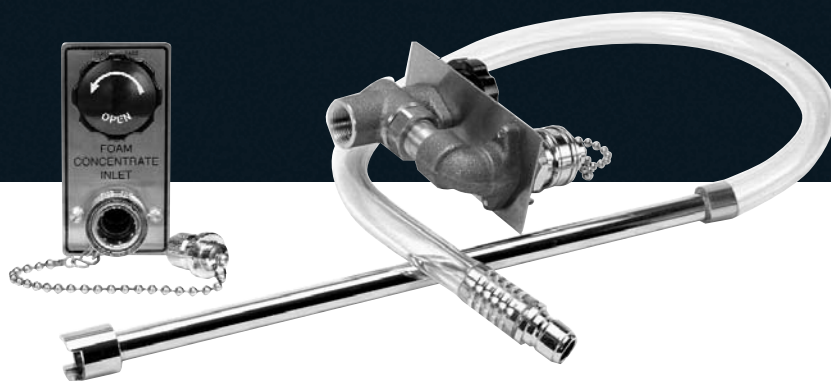


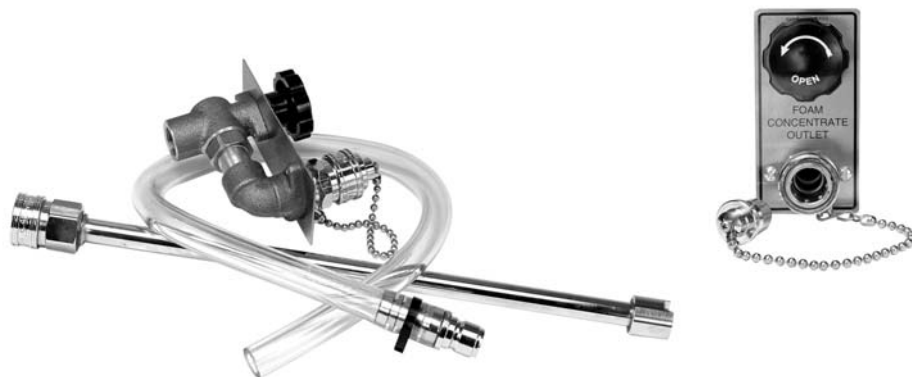
# Foam Supply Kits

Elkhart offers two supply kits. Both kits include:

- One .75" quarter-turn, inlet valve assembly with elbow
- Quick-connect female coupling
- Quick-connect plug with chain
- Brushed stainless steel escutcheon plate
- Foam pick-up hose assembly with quick-connect male coupling



KIT 1



KIT 2

(P/N 81231001) Kit 1 is a built in by-pass foam eductor to utilize an off-board foam concentrate supply — either when the on-board supply has been depleted or to allow use of another type of foam concentrate.

(P/N 81232001) Kit 2 allows the use of an on-board foam concentrate tank with a separate portable foam eductor (such as Elkhart's 240 and 241 series) attached to a pump side discharge; permits easy switching from alternative supply to the on-board supply tank and back as necessary.

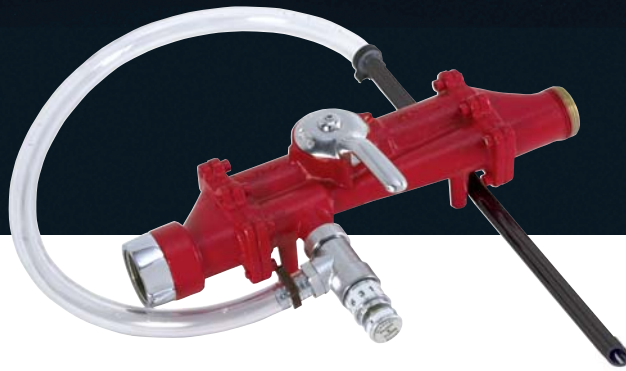


PORTABLE

## Portable

Elkhart offers an educator for all handlines (1" through 2½") and the educators are compatible with most foam concentrates. All Elkhart's educators:

- Are easy hook-up / easy set-up
- Feature red urethane enamel finish
- Can be deployed in any position
- Offer a removable pick-up screen and removable metering valve
- Come with a clear PVC pick-up hose



BRASS BY-PASS INLINE EDUCATOR

*Fig. 1*



BRASS INLINE EDUCATOR

*Fig. 2*





COMPOSITE INLINE EDUCATOR

*Fig. 3*

TYPE	INLET SIZE			OUTLET SIZE			FLOW RATES GPM (LPM)						METERING				MATERIAL / TRIM				Length (Inches)	Weight (Lbs.)	MODEL	FIGURE
	Fixed		Selectable		Brass		Com-posite		3%	6%	Positive		Infinite		Chrome	Rough	Satin							
	1"	1.5"	2.5"	1"	1.5"	2.5"	30 (114)	60 (227)			95 (360)	125 (473)	150 (568)	250 (946)				0% / 1%	1/2% / 3% / 6%	0% - 6%				
	1"	1.5"	2.5"	30 (114)	60 (227)	95 (360)	125 (473)	150 (568)			250 (946)	3%	6%	0% / 1%				1/2% / 3% / 6%	0% - 6%					
By-pass		•	•												s				17.25	20.5	240-60	1		
		•	•												s				17.25	20.5	240-95	1		
		•	•												s				17.25	20.5	240-125	1		
Inline	•	•	•	•	•	•	•	•	•	•	•	•	•	•	s				8.375	4.5	241-30	2		
	•	•	•	•	•	•	•	•	•	•	•	•	•	•		s			10.00	5.8	241-N3*	2		
	•	•	•	•	•	•	•	•	•	•	•	•	•	•		s			10.00	5.8	241-N6*	2		
	•	•	•	•	•	•	•	•	•	•	•	•	•	•			s		4.625	0.5	242-95**	3		
	•	•	•	•	•	•	•	•	•	•	•	•	•	•	o	s			11.75	9.5	241-60	2		
	•	•	•	•	•	•	•	•	•	•	•	•	•	•	o	s			11.75	9.5	241-95	2		
	•	•	•	•	•	•	•	•	•	•	•	•	•	•	o	s			11.75	9.5	241-125	2		
	•	•	•	•	•	•	•	•	•	•	•	•	•	•	o	s			11.75	9.5	241-150	2		
	•	•	•	•	•	•	•	•	•	•	•	•	•	•	o	s			16.0	16.8	241-250	2		

KEY s = standard o = option  
 \* Inlet and outlet threads are NPSH; ID is 3/4"; ribbed hose length is 54"  
 \*\* Supplied with fixed metering valves at 1/2%, 1%, and 3% and an adjustable metering valve with 1/2% / 1% / 3% settings.

GPM (LPM) NOTE	
<i>Eductor and nozzle must have matching flow rates (gpm/lpm) for the foam concentrate to "pick-up." See page T-1 for Eductor Performance Chart.</i>	
Operating Pressures of Eductors	
<i>These eductors are designed to achieve rated flow with an inlet pressure of 200 psi. They will operate at lower inlet pressures, but the flow rate and percentage rate will be affected.</i>	
Checklist if eductor fails to pick up foam	
Ball check stuck	By-pass valve open
Clogged nozzle	Hose lay too long
Kink in hose	Metering valve clogged
Metering valve closed	Metering valve set improperly
Mismatched nozzle	Nozzle elevated too high
Partially closed nozzle	Plugged pick-up screen

ADDITIONAL INFORMATION	
VALVES	
	INFINITE SETTING VALVE
	POSITIVE SETTING VALVE
HOSE LENGTHS	
<ul style="list-style-type: none"> <li>• 240 models and most 241 models are 36"</li> <li>• 241-N models are 54"</li> <li>• 241-250 model is 72"</li> </ul>	
PICK-UP TUBE	
<ul style="list-style-type: none"> <li>• Composite black tube standard</li> <li>• Chrome plated tube, with strainer, optional</li> </ul>	

# FOAM EDUCATORS



BUILT-IN

## Built-In

Elkhart offers built-in foam educators for all handlines (pipe sizes of 1.5" and 2"), and the educators are compatible with most foam concentrates. The built-in educators come furnished with valves, fittings and accessories for installing permanently behind the panel in pump compartment.

Package includes:

- One (1) 240 by-pass educator
- One (1) 890-01-01-D 1.00" inline valve
- Two (2) 775-15 tee handles
- Two (2) 775-11 rod guides
- One (1) "thru the panel" metering valve with 5 settings (0%, 1/2%, 1%, 3%, and 6%)
- One (1) ball check valve
- One (1) brushed stainless steel instruction plate (with hardware)

FOAM EDUCATORS

3-4

### ELKHART BRASS

**95 GPM  
FOAM  
SYSTEM**

**CLASS A/B  
FOAM**

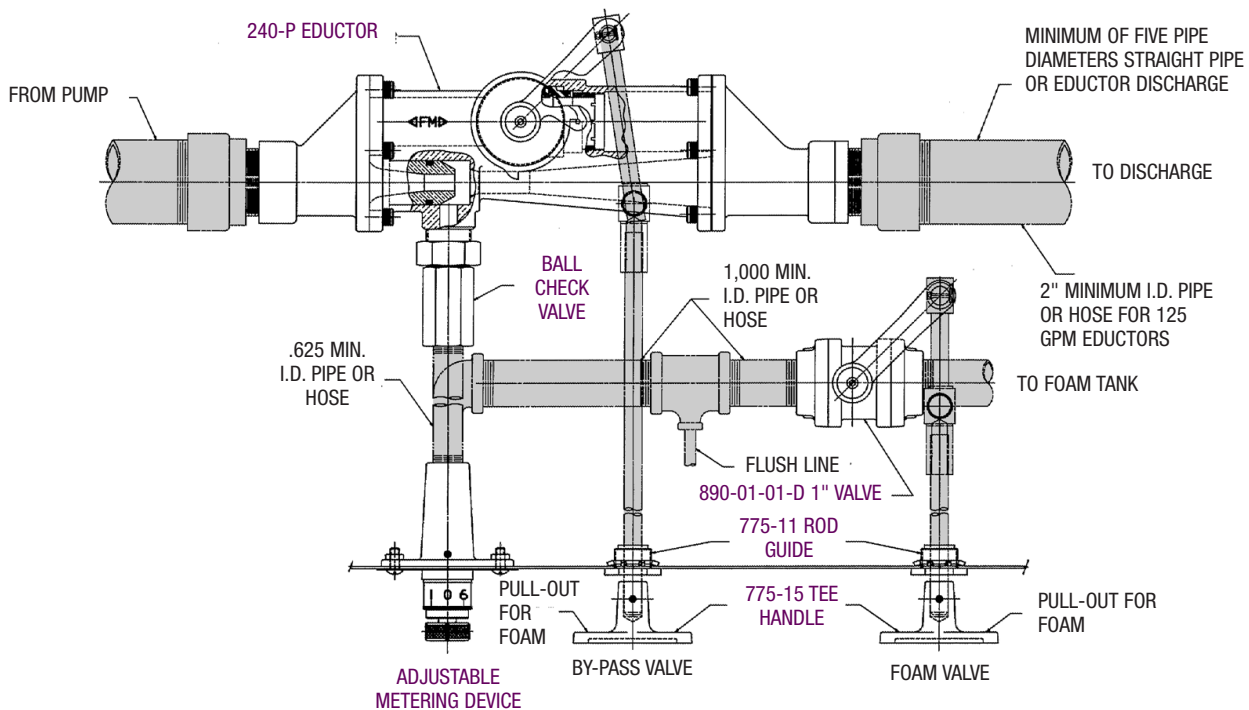
SEE OPERATING INSTRUCTIONS BEFORE USE  
METERING SETTINGS: 0.5, 1, 3, & 6 %  
USE WITH MATCHED (95 GPM) ELKHART NOZZLE  
MAXIMUM HOSE LAY: 1 1/2" HOSE 150-FT.  
1 3/4" HOSE 250-FT.  
WITH MAX. 10-FT. NOZZLE ELEVATION

VALVES	VALVE POSITION FOR		
	FOAM	WATER ONLY	FLUSH (3 MIN)
METERING ①	SELECT FOAM %	----	6%
WATER ②	OPEN	OPEN	OPEN
EDUCATOR BY-PASS VALVE ③	CLOSE (200 PSI)	OPEN	CLOSE (100 PSI)
FOAM ④	OPEN	CLOSE	CLOSE
FLUSH ⑤	CLOSE	CLOSE	OPEN

NPT INLET / OUTLET*	FLOW RATES GPM (LPM)			LENGTH (Inches)	PACKAGE WEIGHT (Lbs.)	MODEL NUMBER
	60 (227)	95 (360)	125 (473)			
2.0"	•	•	•	17.25	32.9	240-60P
s	•	•	•	17.25	32.9	240-95P
s	•	•	•	17.25	32.9	240-125P

KEY s = standard o = option  
\* Victaulic available

## Typical Installation



NOTE: Items listed in purple type are included in package.

Operating Pressures of Eductors	
<i>These eductors are designed to achieve rated flow with an inlet pressure of 200 psi. They will operate at lower inlet pressures, but the flow rate and percentage rate will be effected.</i>	
Checklist if eductor fails to pick up foam	
Ball check stuck	Clogged nozzle
Eductor handle not pulled out	Elbow plumbed too close to inlet/outlet
Excessive friction loss between eductor and discharge outlet	Foam handle not pulled out
	Foam tank not vented
Foam tank empty	Kink in hose
Hose lay too long	Metering valve set improperly
Metering valve clogged with dry foam	Partially closed nozzle
Mismatched nozzle	Too much nozzle elevation