



FIELD ADJUSTABLE PRESSURE REDUCING

Field Adjustable Pressure Reducing (URFA)

Elkhart's URFA valve is a true pressure reducing valve, operated automatically by inner hydraulic controls. While the valves are preset at the factory, they are field adjustable — allowing you to tailor the pressure to your needs. They feature manual valve open and close, as well as pressure adjustment — all of which require extremely low torque to change due to the patent pending design. Inlet pressure up to 400 psi (27.58 bar) is controlled under all flow and no-flow conditions.

Valve size and weight permit installation in significantly tighter areas and smaller hose cabinets (those used for 1½" or 2½" valves) — allowing savings of both space and money. The URFA also functions as a floor control valve in automatic sprinkler systems as well as a standpipe valve or hose valve for Class I and Class III systems.

INDUSTRIAL VALVES

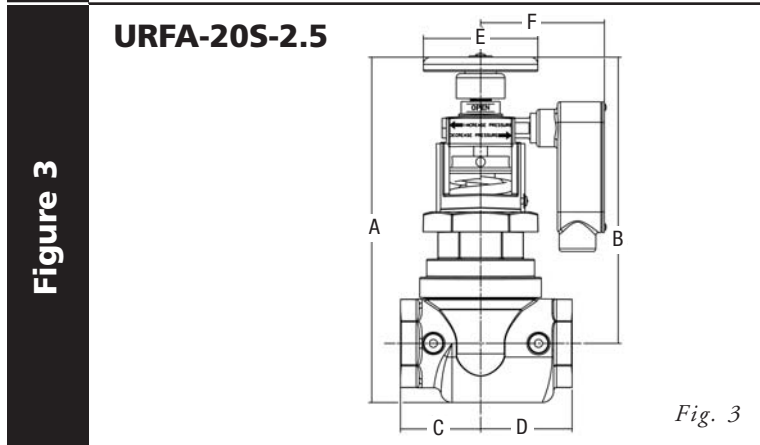
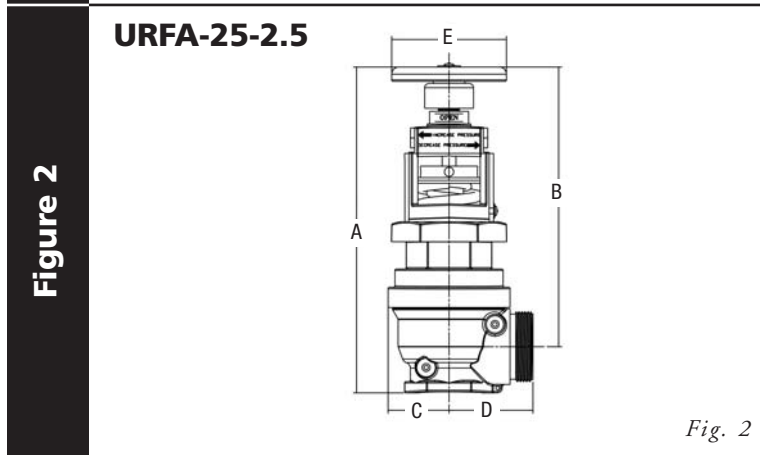
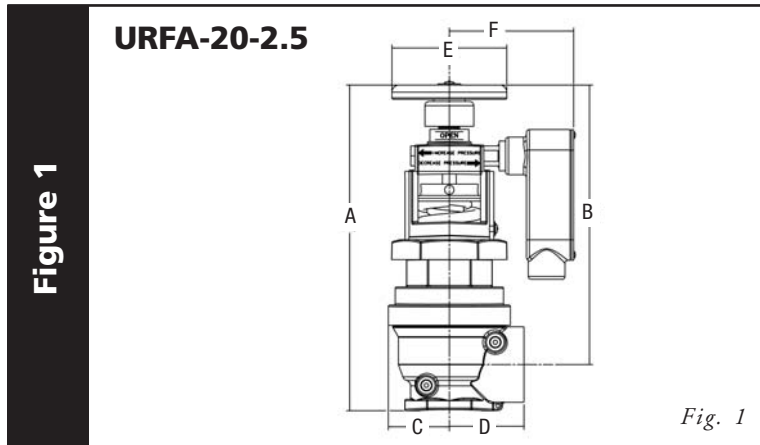
9-1



INLET SIZE	OUTLET SIZES		TYPE		CERT.	DIMENSIONS (INCHES)								Integral Supervisory Switch	FINISH			Wt. (Lbs.)	MODEL	FIGURE
						Closed		Open		C	D	E	F		Brass		Chrome			
						A	B	A	B						Cast	Pol	Pol			
2½" F	2½"		Angled	Straight	UL Listed	13⅞	11⅞	14¼	12¼	2⅞	3¼	5	4¼	o	s	o	o	18½	URFA-20-2.5	1
NPT*	F(NPT)*	M(NHT)				13⅞	11⅞	14¼	12¼	2⅞	3⅞	5	4¼	o	s	o	o	18½	URFA-25-2.5	2
						14½	11 ²⁹ / ₃₂	15⅞	12¼	3½	4	5	4¼	o	s	o	o	26½	URFA-20S-2.5	3

KEY s = standard o = option

* Grooved connection available for inlet or outlet use — add 1.44" per connection.



PRODUCT HIGHLIGHTS

URFA features include:

- Manual open-close requires less than 15 lbs. of torque
- Pressure rated up to 400 psi (27.58 bar)
- Flow rated up to 500 gpm (1893 lpm)
- Open-Close indication from 2 view directions
- Color-coded pressure reduction label
- Tapped for pressure gauge on both inlet and outlet side of valve
- Tamper-resistant protection
- UL Listed as a check valve for use in dual riser systems
- Optional integral supervisory switch (alarm) mounts directly to valve with no bracket required
- Optional integral supervisory switch (alarm) is available either "OPEN TO SIGNAL" or "CLOSED TO SIGNAL"
 - With the valve in the open position, to close an electrical circuit and send the signal is defined as "CLOSED TO SIGNAL"
 - With the valve in the closed position, to close an electrical circuit and send a signal is defined as "OPEN TO SIGNAL"

ADDITIONAL INFORMATION

Includes adjustment rod.

THREADS

- Valve inlet information is NPT unless otherwise specified. Special threads available through adapter use.
- See index T-12 for alternative outlet thread options.



PRESSURE REDUCING

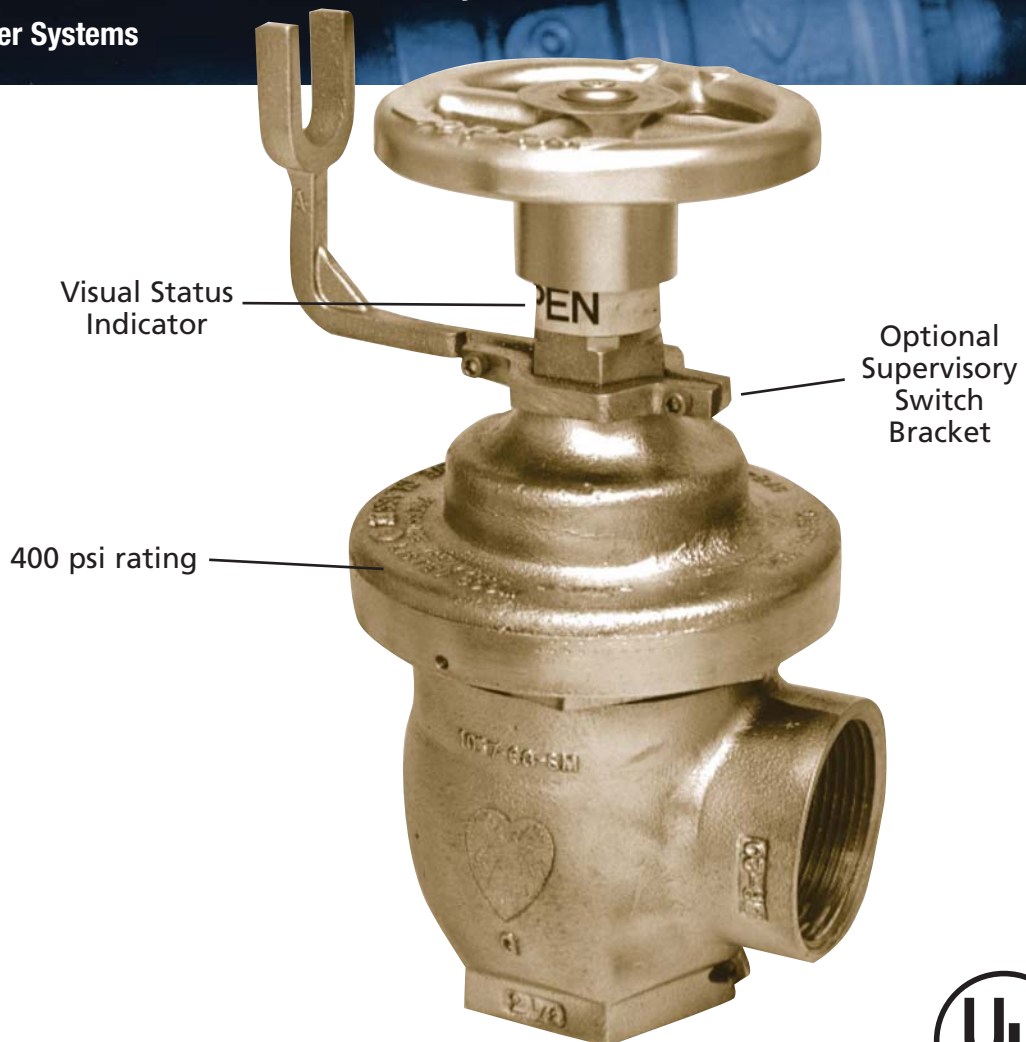
Pressure Reducing (Pressure-Matic)

Elkhart's Pressure-Matic is a true pressure reducing valve, operated automatically by inner hydraulic controls. No diaphragms, springs or outside controls are involved with the unit, the action being completely dependent upon conditions at the nozzle or sprinkler system.

Elkhart Brass offers 18 different valve pressure types/ranges for building systems. Inlet pressure up to 400 psi (27.58 bar) is controlled under all flow and no-flow conditions.

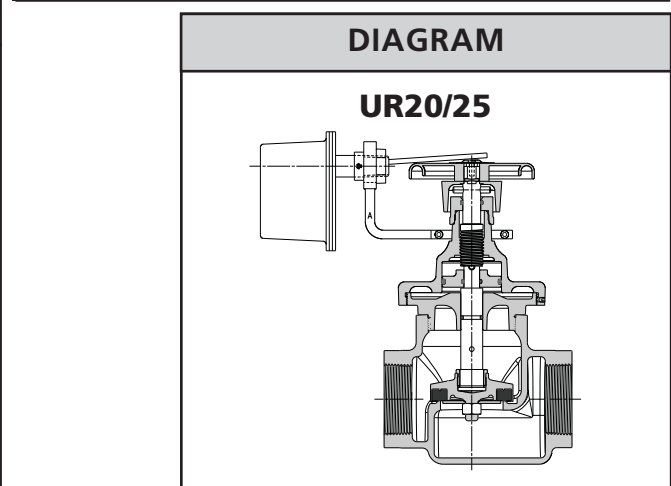
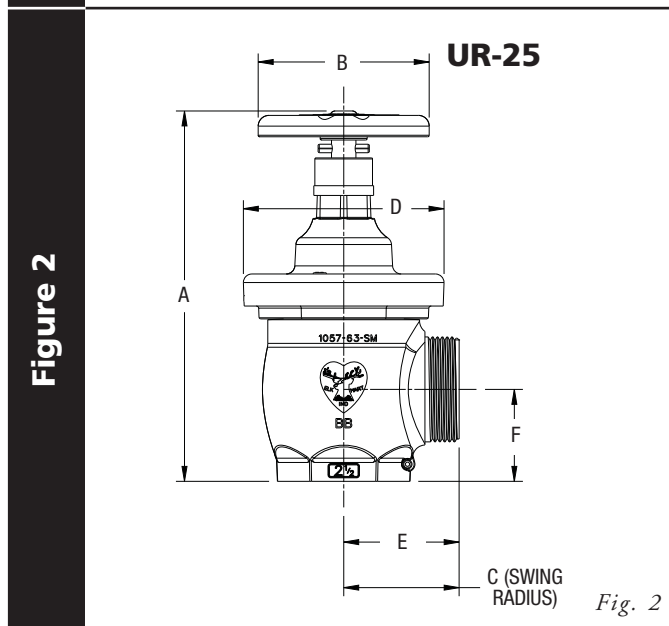
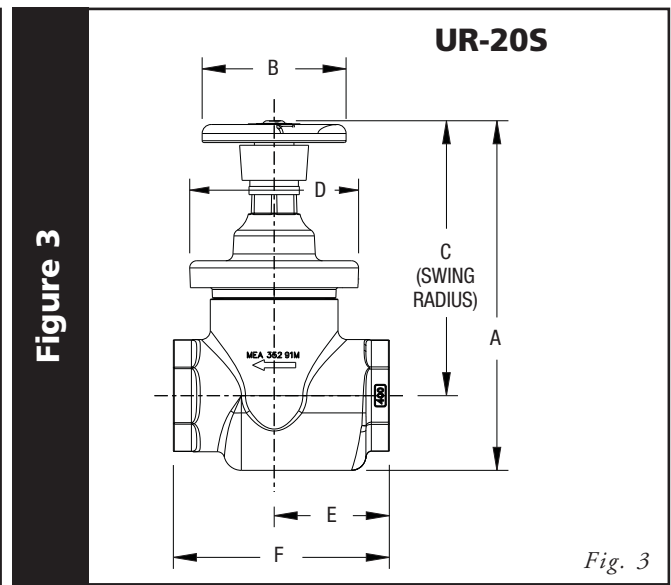
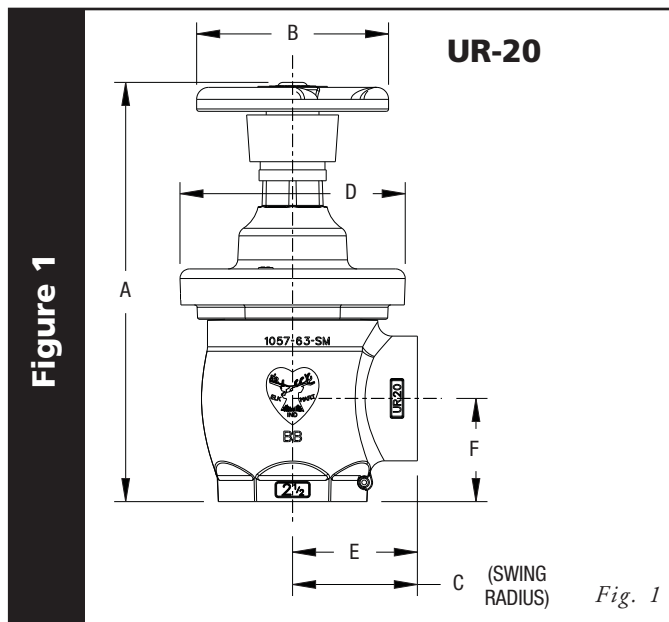
The UR valve series may be used as a standard shut-off. The valves are completely tamper-proof. They fit all existing cabinets where 1 1/2" or 2 1/2" valves are currently in use. Pressure-Matic valves can be used for/in:

- Floor Control Valve
- Standpipe System
- Automatic Sprinkler Systems
- UL Listed as a check valve for use in dual riser systems



INLET SIZES		OUTLET SIZES				TYPE		CERT.	DIMENSIONS (Inches)						BRASS FINISH			Weight (Lbs.)	MODEL	FIGURE	
Female (NPT)	Female (NPT)	Female (NPT)	Female (NPT)	Male (NHT)	Male (NHT)	Ang	Str		UL Listed	A		B	C	D	E	F	Cast				Polished*
1½"	2½"	1½"	2½"	1½"	2½"			Min		Max											
•		•				•		•	7¾	8¾	4	2½	3½	2¾	1⅞	s	o	o	7½	UR-20-1.5	1
•				•		•		•	7¾	8¾	4	2⅞	3½	2¾	1⅞	s	o	o	7½	UR-25-1.5	2
	•	•				•		•	11	11⅞	5	2⅞	5⅞	3¼	2⅞	s	o	o	18½	UR-20-2.5	1
	•			•		•		•	10⅞	11⅞	5	2⅞	5⅞	3⅞	2⅞	s	o	o	18½	UR-25-2.5	2
	•	•				•		•	12⅞	12⅞	5	10 to 10½	5⅞	4	7½	s	o	o	26½	UR-20S-2.5	3

KEY s = standard o = option *Partial polished



ADDITIONAL INFORMATION

- Customer must fill out valve data sheet on page G-7, factory setting required.
- Calculator for determining valve pressure range is available from Elkhart Brass. Please inquire with our sales staff or see our website.

THREADS

Valve inlet information is NPT unless otherwise specified. See index T-12 for alternative outlet thread options.



PRESSURE RESTRICTING

Pressure Restricting

Elkhart's pressure restricting valves all feature rugged cast brass construction in your choice of finishes. The pressure restricting valves feature rubber seats and are rated for use at 175 psi (12.15 bar). Although factory setting is recommended, all the pressure restricting valves are field-settable.

Pressure restricting valves:

- Reduce pressure under flowing conditions
- Allow fire departments to override settings in emergency conditions



INLET SIZES		OUTLET SIZES				CERTIFICATIONS	BRASS FINISH			DIMENSIONS (Inches)					Weight (Lbs.)	MODEL	FIGURE
Female		Female		Male			UL Listed	Cast	Polished	Chrome Polished	Swing Radius	A	B	Height			
1½"	2½"	1½"	2½"	1½"	2½"	Open								Closed			
•		•				•	s	o	o	2½	2 ⁷ / ₁₆	4	7 ⁷ / ₈	6 ⁷ / ₈	6	UP-20-1.5	1
	•		•			•	s	o	o	3 ⁵ / ₈	3 ¹ / ₄	5	11	9 ³ / ₈	11 ³ / ₄	UP-20-2.5	1
•				•		•	s	o	o	2½	2 ¹ / ₈	4	7 ⁷ / ₈	6 ⁷ / ₈	6	UP-25-1.5	2
	•				•	•	s	o	o	3 ⁵ / ₈	3 ¹ / ₄	5	11	9 ³ / ₈	11 ³ / ₄	UP-25-2.5	2

KEY s = standard o = option

Figure 1

UP-20



Fig. 1

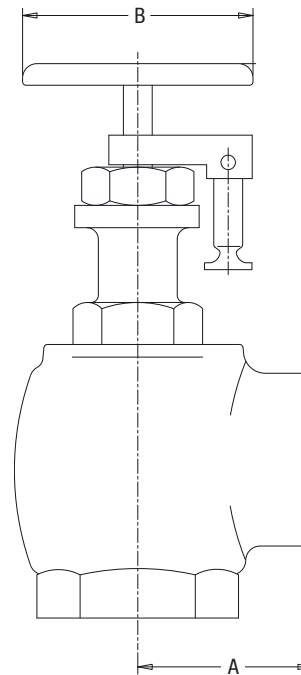
Figure 2

UP-25



Fig. 2

DIAGRAM



ADDITIONAL INFORMATION

All valves are factory set. To order any of the valves listed here, customer must provide static and residual inlet pressure as well as desired and residual outlet pressure plus flow rate. Please see ordering form on page G-7.

OTHER PRODUCTS

For valves that reduce pressure in no-flow situations please see our Pressure-Matic (page 9-3) or URFA (page 9-1) valves.

THREADS

Valve inlet information is in NPT unless otherwise specified. See index T-12 for alternative outlet thread options.

INDUSTRIAL VALVES



ANGLE

Angle

Elkhart's angle valves all feature rugged cast brass construction in your choice of finishes. Additionally, all feature rubber seats and are rated at 300 psi (20.68 bar).

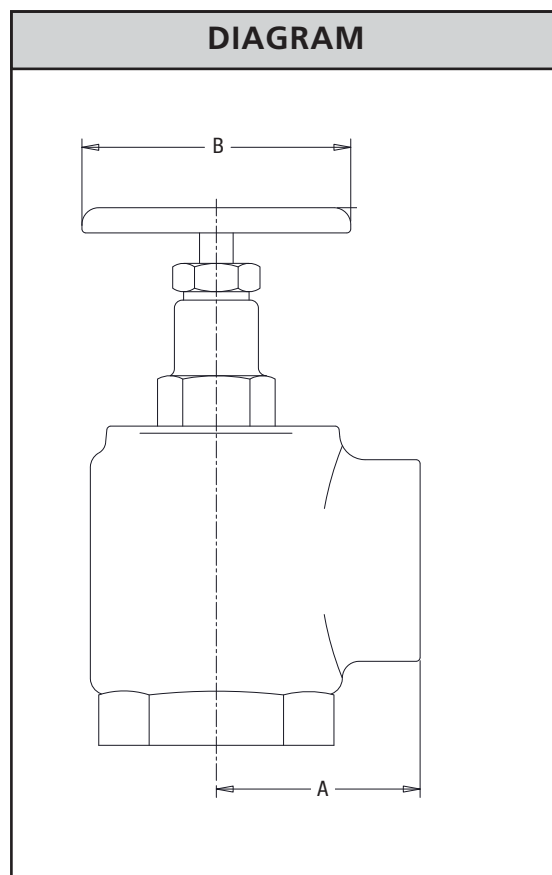
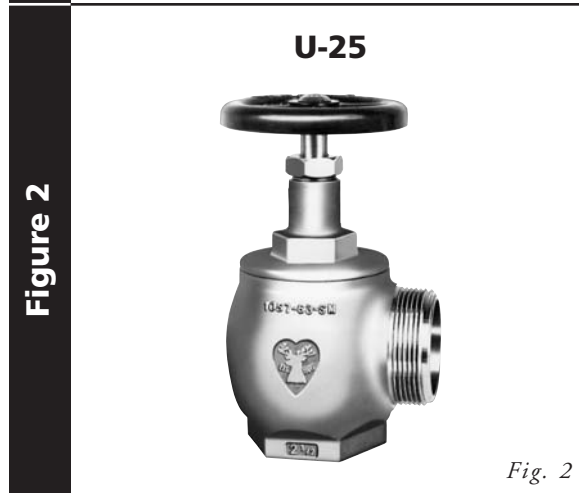
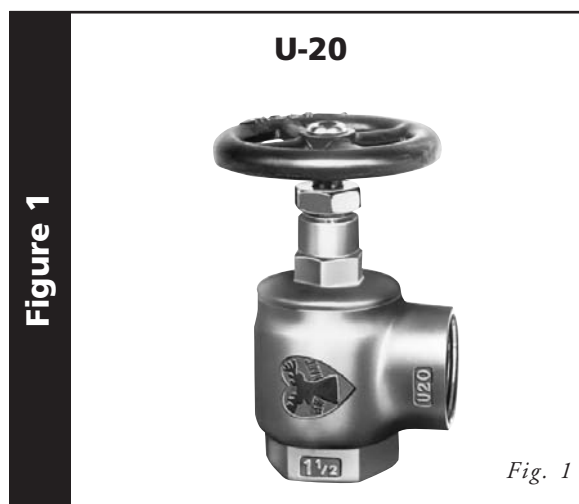


INDUSTRIAL VALVES

9-7

INLET SIZES		OUTLET SIZES				CERTIFICATIONS		BRASS FINISH			DIMENSIONS (Inches)					Weight (Lbs.)	MODEL	FIGURE
Female		Female		Male		FM App'd	UL Listed	Cast	Polished	Chrome Polished	Swing Radius	A	B	Height				
1½"	2½"	1½"	2½"	1½"	2½"									Open	Closed			
•		•				•	•	s	o	o	2½/₂	2³/₁₆	4	7⁷/₈	6⁷/₈	6	U-20-1.5	1
	•		•			•	•	s	o	o	3⁵/₈	3¼	5	11	9³/₈	11³/₄	U-20-2.5	1
•				•		•	•	s	o	o	2½/₂	2³/₁₆	4	7⁷/₈	6⁷/₈	6	U-25-1.5	2
	•				•	•	•	s	o	o	3⁵/₈	3¼	5	11	9³/₈	11³/₄	U-25-2.5	2

KEY s = standard o = option



ADDITIONAL INFORMATION

THREADS

Valve inlet information is in NPT unless otherwise specified. See index T-12 for alternative outlet thread options.



24 HYDROLATOR VALVE

- For venting and draining valves
- 1½"
- Finish: cast brass
- Optional finishes: polished brass, cast chrome or polished chrome
- NST threads



34 PRESSURE RESTRICTING VALVE

- Body and swivel: cast brass
- Breakable segment control: aluminum alloy
- Sizes: 1½" or 2½" (*specify*)
- Finish: cast brass
- Optional finishes: polished brass, cast chrome or polished chrome
- U.L. Listed (2½" only)

ADDITIONAL INFORMATION

Model 34 is factory set. To order, customer must provide static and residual inlet pressure as well as desired and residual outlet pressure plus flow rate. Please see ordering form on page G-7.

THREADS

Valve inlet/outlet information is in NHT unless otherwise specified. See index T-12 for alternative outlet thread options.

Heavy Duty Hydrant

The Elkhart Brass heavy duty hydrant valve is specifically designed for wet hydrants in industrial facilities. All components, especially the reinforced bonnet and special alloy machined stem, stand up to continuous use/abuse and harsh environments. Maximum operating pressure of 300 psi.



INLET		OUTLET		MODEL
NPT (Inches)		NST (Inches)		
3	4	2.5	4.5	H28-3
•		•		
	•		•	H28-4

ADDITIONAL INFORMATION

OTHER PRODUCTS

- Cast brass cap with chain available on page 10-1.
- Cast aluminum universal hand-wheel (P/N 71571000) available separately.

THREADS

Valve inlet information is NPT and outlet information is NHT, unless otherwise specified. See index T-12 for alternative outlet thread options.