

MONITORS



STINGRAY®

MONITORS

Stingray®

- Flow efficient 3" waterway allows for flows up to 1250 gpm
- All construction features designed to minimize maintenance needs
 - Choice of corrosion resistant brass or lightweight Elk-O-Lite® construction
 - Fully enclosed gearcase with stainless steel worm
 - Bronze balls in all swivel joints
 - Grease zerks for easy lubrication
- Flexible installation options include numerous base options and a hydrant mounting choice
- Compact size — 16" high or 21" high — is extremely versatile, allowing the monitor to serve a variety of real-world needs
- Built-in shut-off capabilities (with the Stingray® IV) from a full flow 3" ball valve

5-35



Vaned elbow

Horizontal twist lock

200
PSI




1250
GPM

FM

APPROVED

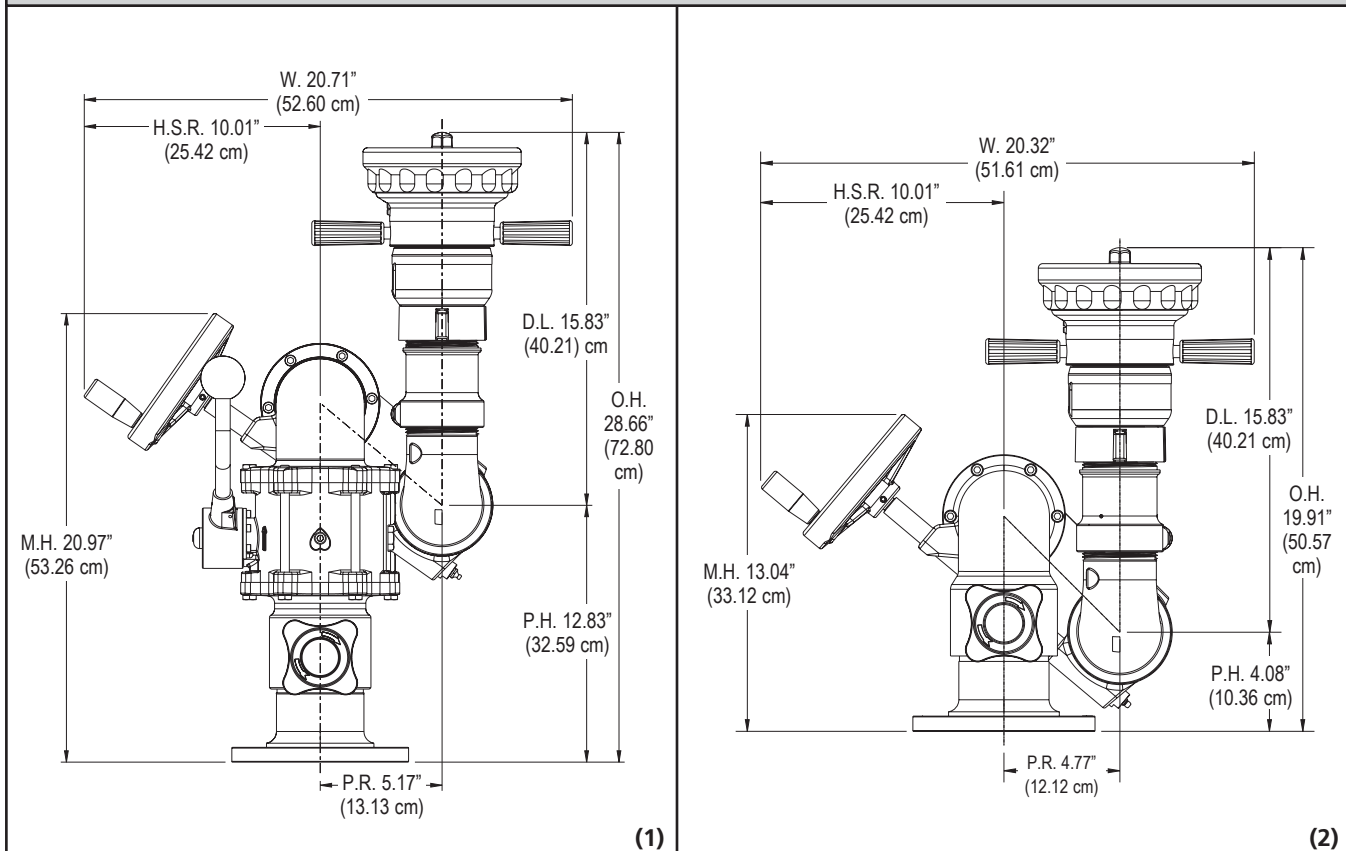
CE

| SPECIFICATIONS | | | |
|----------------------------|---|------------------|---------|
| Max. GPM (LPM) | 1250 (4732) | | |
| Inlets | Sizes | Types | |
| | 4" | 150# ANSI Flange | |
| | 3" | 150# ANSI Flange | NPT (F) |
| Outlet Size | 2.5" NHT | | |
| Control | Single hand-wheel | | |
| Material/Finish | Brass or Elk-O-Lite® with red urethane enamel | | |
| Friction Loss | 27 psi at 1250 gpm | | |
| | 17 psi at 1000 gpm | | |
| | 9 psi at 750 gpm | | |
| Travel | V -60° to +90° (150°) | | |
| | H 360° (continuous) | | |
| Weight | Varies (See specification chart) | | |
| Ratings and Certifications | CE and FM Approved | | |

| KEY CONFIGURATIONS (ACCESSORIES) | | |
|--|---|---|
|  |  |  |
| STINGRAY® (2) | PRESSURE GAUGE (3) | BALL VALVE (4) |

NOTE: Ball valve cannot be ordered separate from monitor as a stand alone part.

DIMENSIONS & LAYOUT



ADDITIONAL INFORMATION

- All flanges specified with the monitor are flat. Raised flanges are available with some inlet sizes. Please inquire with our sales staff.
- Marine Brass (85-5-5-5) construction is available on some models. Please inquire with our sales staff.
- Technical Data on monitor performance may be found on page T-11.
- The Stingray® is also available in a portable cart version. Please see page 5-61 for details.
- The Stingray® is also available in a hydrant mount version. Please see page 5-53 for details.



Stingray® Selector Guide

| INLET SIZES / TYPES | | | OUTLET SIZE | VERTICAL TRAVEL | | INTEGRAL COMPONENTS | | MATERIALS | | CERTIFICATIONS | | DIMENSIONS | | | | ILLUSTRATION | MODEL |
|---------------------|-------------------|----|-------------|-----------------|--------------|---------------------|----------------|-----------|-------------|----------------|-------------|-------------|-------------|--------------|---------------|--------------|--------------|
| NPT | 150 # ANSI Flange | | 2.5" | -60° to +70° | -60° to +90° | Ball Valve | Pressure Gauge | Brass | Elk-O-Lite® | CE | FM Approved | Width (In.) | Depth (In.) | Height (In.) | Weight (Lbs.) | | |
| 3" | 3" | 4" | NHT | (130°) | (150°) | 3" | | | | | | | | | | | |
| o | o | s | • | o | s | s | o | • | | • | | 14.75 | 15.75 | 20.375 | 68.25 | 1 | 8393IV |
| o | o | s | • | s | o | | o | • | | • | • | 14.75 | 15.75 | 15.75 | 47.5 | 2 | 8393 |
| o | o | s | • | s | o | | o | | • | • | | 14.75 | 15.75 | 15.75 | 16.0 | 2 | 8393-A |
| | | | | | | 4 | 3 | | | | | | | | | | Illustration |

KEY s = standard o = option

Components & Options Chart

| COMPONENTS & OPTIONS | ILLUSTRATION | MODEL |
|-----------------------|--|----------|
| Companion Flange Kits | 3" 150# ANSI steel flange with bolts and gaskets | 81315001 |
| | 4" 150# ANSI steel flange with bolts and gaskets | 81317001 |

Recommended Products

| SM-1000HF – SELF-EDUCTING | IMS-500 SELECT-O-STREAM® | J-MYSTERY® | 282B STREAM SHAPER | 181-SMOOTH BORE | SM-1250B X-STREAM® |
|---|---|---|---|--|---|
|  |  |  |  |  |  |
| Page 6-16 | Page 6-12 | Page 6-14 | Page 1-27 | Page 1-29 | Page 6-7 |

Product Highlights

Our Stingray® IV features a 3" integral quarter-turn full flow ball valve. The integrated valve eliminates the need for a separate valve; it is both easier to install and more reliable than a separate wafer valve. The benefits of the integrated valve include:

- 1) better total monitor efficiency as the friction loss between the traditional separate monitor and valve is reduced
- 2) a turn-key package created by integrating the valve into the monitor

Highlights of the Stingray® IV valve include:

- Hydraulically balanced acetal ball
- Teflon impregnated seats
- Full flow ball valve