



8287

MONITORS

8287

- Lightweight Elk-O-Lite® design flows up to 1250 gpm (4732 lpm)
- Three 2½" clappered inlets lead to a 3" dual waterway
- 100° vertical travel (with a by-passable safety stop at 25° above horizontal)
- Continuous 360° horizontal travel plus positive left-right lock with visual position indication
- Construction increases stability through design:
 - Three solid steel, chrome-plated legs with adjustable ground spikes
 - Two rear angled ground spikes attached to the monitor body
- 10' tie-down chain for additional safety
- Two carrying handles

5-45



Liquid-filled
pressure gauge

Solid steel,
chrome-plated
legs with
adjustable
ground spikes

Clappered
inlets

200
PSI

1250
GPM

8287 Selector Guide

SPECIFICATIONS		
Max. GPM (LPM)	1250 (4732)	
Inlet	Size	Type
	2.5" (x3)	NHT (F)
Outlet Size	3.5" NHT	
Control	Dual hand-wheel	
Material/Finish	Elk-O-Lite® with red urethane enamel	
Friction Loss	11 psi at 1250 gpm	
	8 psi at 1000 gpm	
Travel	V -15° to +85° (100°)	
	H 360° (continuous)	
Weight	48 Lbs.	

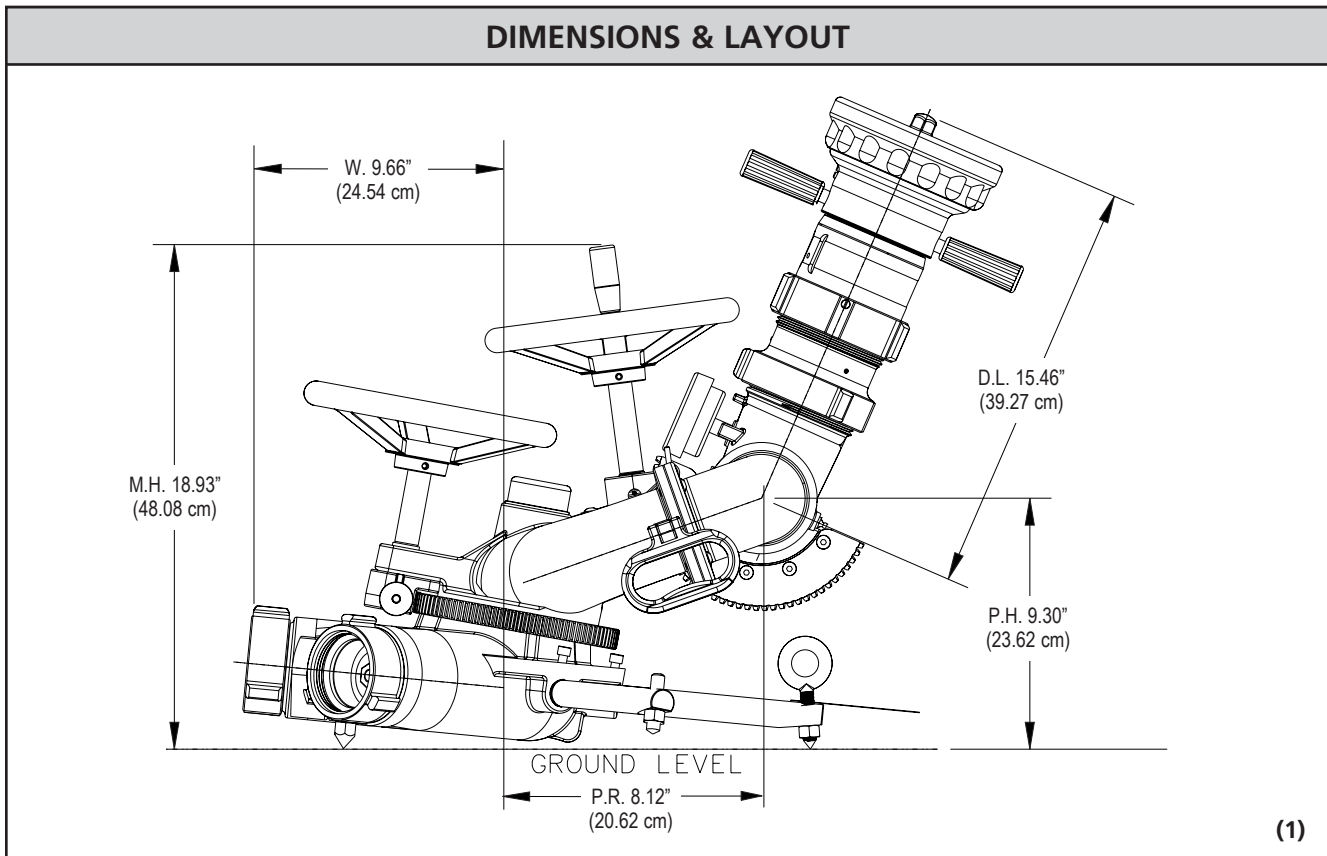
INLET SIZE / TYPE	OUTLET SIZE	PRESSURE GAUGE	TIE-DOWN STRAP	MODEL
2.5" NHT	3.5" NHT			
•	•	s	•	8287
				<i>Illustration</i>

KEY s = standard o = option

Components & Options Chart

COMPONENTS & OPTIONS		ILLUSTRATION	MODEL
Anchor Kit	For portable monitors		81204001
Top Mount Fixture			8290

DIMENSIONS & LAYOUT



Recommended Products

284A – STREAM SHAPER	SM-1250 – X-STREAM®	283A – STREAM SHAPER	ST-194 – QUAD STACKED TIPS
			
<i>Page 1-27</i>	<i>Page 6-7</i>	<i>Page 1-27</i>	<i>Page 1-29</i>

ADDITIONAL INFORMATION

Technical Data on monitor performance may be found on page T-11.