

MONITORS



SCORPION® EXM

MONITORS

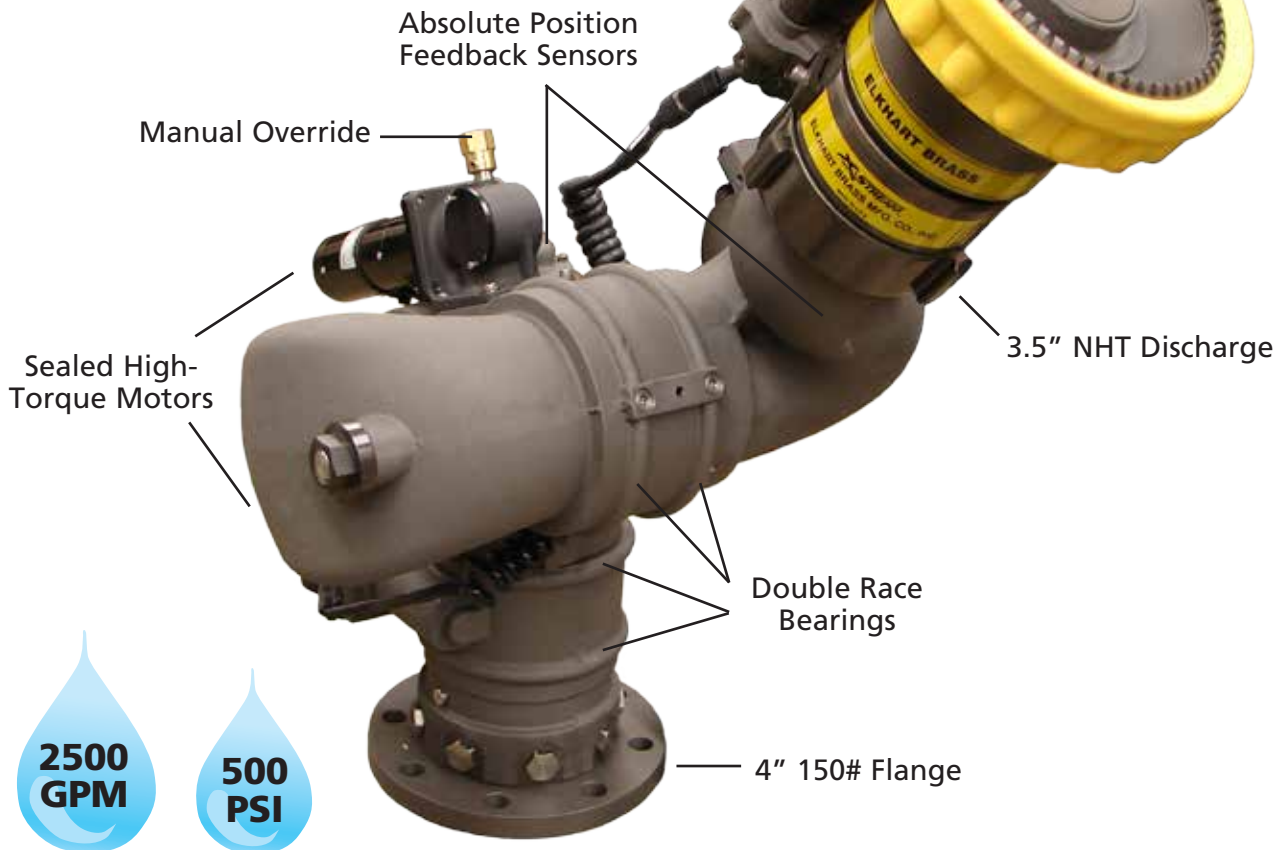
Scorpion® EXM

The Scorpion EXM monitor is specially designed for severe duty cycles. Unique waterway swivel joints utilize stainless steel thrust rods, and axially aligned thrust bearings for unprecedented durability in all firefighting applications. With its 3.5" vaned waterway, the Scorpion EXM provides large flow with minimal turbulence. The monitor can be controlled by hardwired input devices via CAN bus J1939, or by an optional Radio Frequency (RF) device. The monitor may be powered with 12 or 24 volts.

- 2500 GPM flow
- Large range of travel: -45° to +90° vertical & L175° to R175° horizontal (up to -80° or +120° vertical travel achievable with max travel of 135°)
- Patented, elliptical waterway is Teflon impregnated, hard anodized aluminum alloy
- Programmable travel speeds, 3D travel limits, keep out zones, stow and oscillation
- Integrated water valve control

5-6

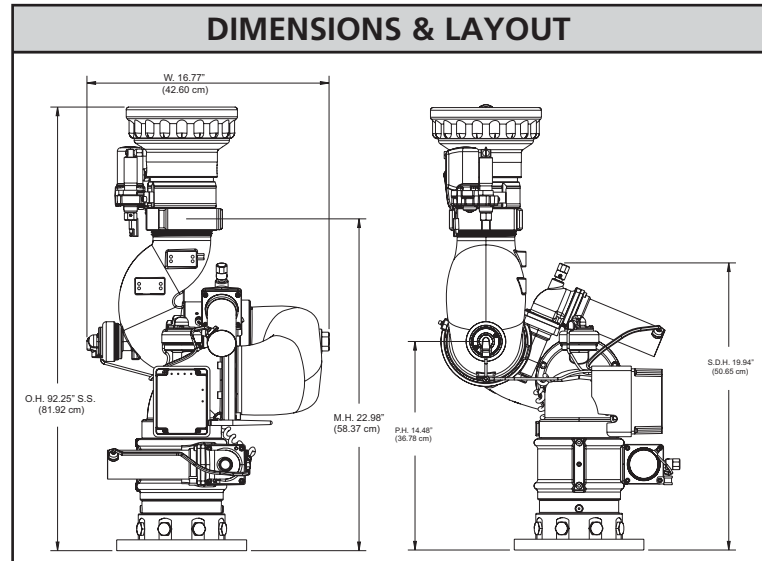
Scorpion® EXM
Mo. 7400



2500
GPM

500
PSI

SPECIFICATIONS	
Model	7400
Max Flow	2500 GPM (9463 LPM)
Max Pressure	500 PSI (34.5 bar)
Inlet	4" ANSI, DN100
Outlet	3.5" Male NHT & BSPP
Travel (Factory Settings)	V: -45° to +90° (135°) H: L175 to R175 (350°)
Voltage	11-27 VDC
Control Communication	CAN bus (J1939) Digital radio frequency (unlicensed)
Material/Finish	Teflon impregnated, hard anodized Elk-O-Lite®
Stow Height	20"
Weight	52 Lbs.



Recommended Products

Panel Mount	Handheld	Joystick	OEM Interface Module	Position Display	X-Stream Series Nozzle	Light Kit	External RF Antenna
(2)	(3)	(4)	(5)	(6)	(7)	(8)	(9)

Components & Options Chart

COMPONENTS & OPTIONS			ILLUSTRATION	MODEL
Electric Nozzles	X-Stream Series Automatic	3.5" Inlet: 350-1250 GPM (1325-4731 LPM)	7	SM-1250E
		3.5" Inlet: 500-2000 GPM (1893-7571 LPM)	7	SM-2000E
Controllers	EXM Panel Mount Controller	Complete panel mount operator control suitable for 2-wire connection to any EXM enabled component.	2	7010
	EXM Handheld Controller Kit	This package includes the panel mount controller (7010), handheld conversion kit (7020), & RF transceiver module (7061). Comes pre-assembled, configured, and ready to use.	3	7015
	EXM Joystick Controller	Joystick operator control unit suitable for connection to an EXM OEM Interface Module.	4	7030
Modules	EXM Position Display Module	Monitor vertical and horizontal position display unit suitable for 2-wire connection to any EXM enabled component.	6	7051
	EXM OEM Interface Module (Wireless RF & CAN)	EXM system interface - allows connection of model 7030 Joystick or other simple OEM supplied electromechanical switches to EXM system.	Not Pictured	7072
	EXM OEM Interface Module (Wired CAN only)	EXM system interface - allows connection of model 7030 Joystick or other simple OEM supplied electromechanical switches to EXM system.	5	7073
	EXM CAN Stow Module	Connects to lockout devices to prevent equipment damage due to an improperly positioned monitor.	Not Pictured	7095
Accessories	External RF Antenna	10 ft extension for 7070 OEM Interface module	9	7062
	Light Kit	150w LED spot/flood from FRC. Operate and position from any Scorpion EXM control device.	8	7085