

MONITORS



SIDEWINDER® EXM UHP

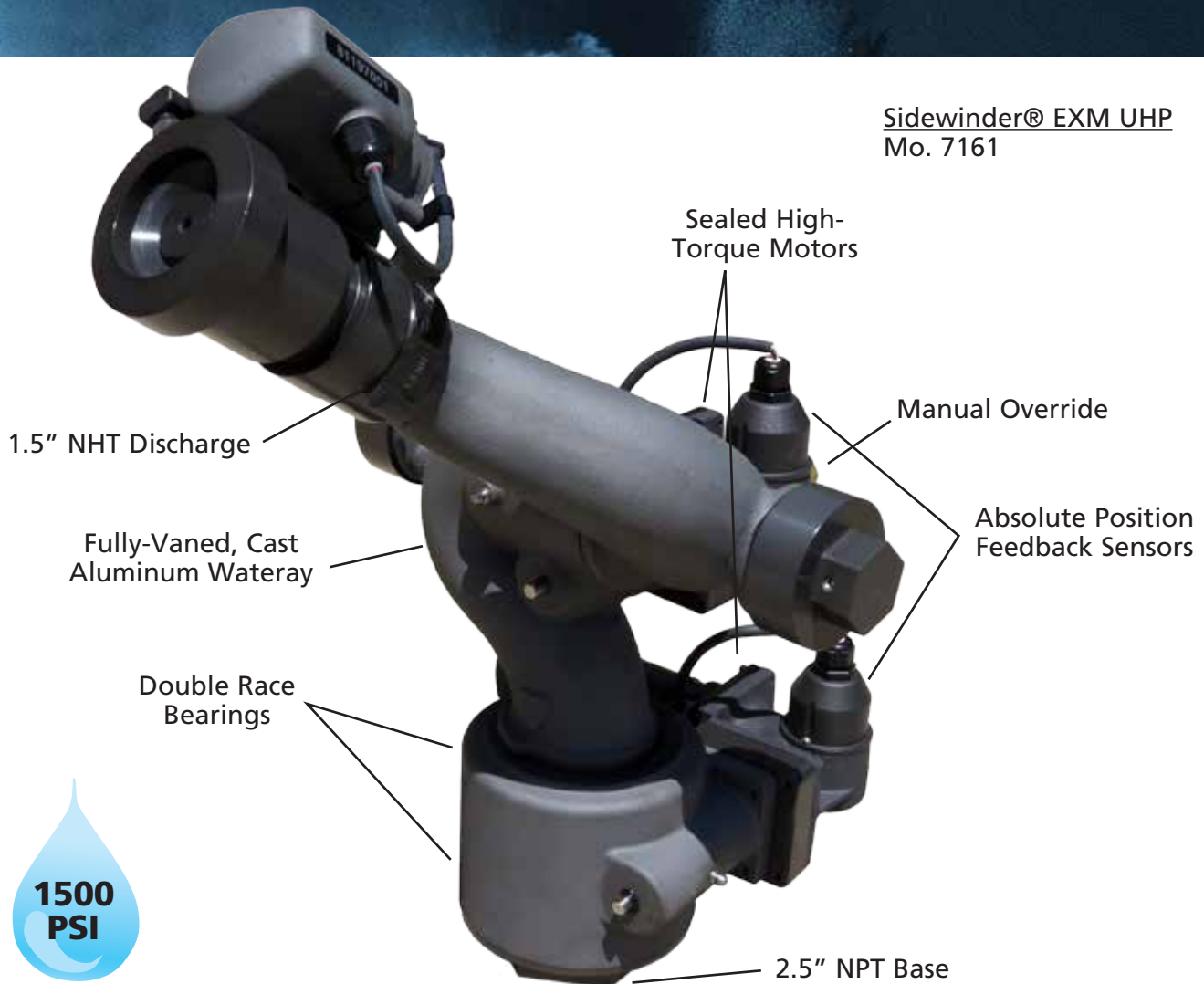
MONITORS

Sidewinder® EXM UHP

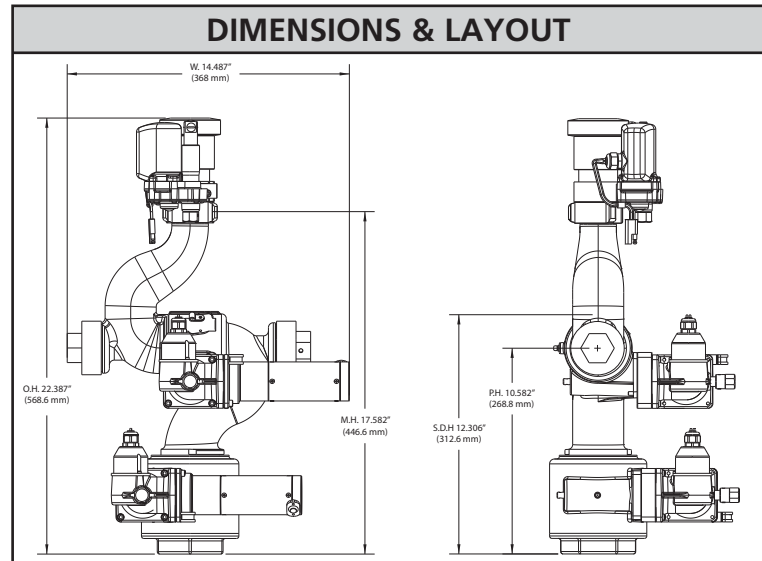
Taking the Sidewinder EXM to the next level, Elkhart's 7161 Sidewinder EXM Ultra-High Pressure (UHP) monitor has been designed and developed to meet U.S. Air Force specifications, and is now being offered for all other UHP needs; including Aircraft Rescue & Fire Fighting (ARFF).

- 1500 PSI pressure
- Extreme Torque Motors
- Sealed to NEMA 4
- Teflon impregnated, hard anodized aluminum alloy
- Programmable travel speeds, 3D travel limits, keep out zones, stow and oscillation

5-10



SPECIFICATIONS	
Model	7161
Max Flow	300 GPM (1136 LPM)
Max Pressure	1500 PSI (103 bar)
Inlet	2.5" NPT
Outlet	1.5" NHT
Travel	V: -45° to +90° (135°) H: L90 to R90 (180°)
Voltage	11-27 VDC
Control Communication	CAN bus (J1939) Digital radio frequency (unlicensed)
Material/Finish	Teflon impregnated, hard anodized Elk-O-Lite®
Weight	27 Lbs.



Recommended Products

Panel Mount	Handheld	Joystick	OEM Interface Module	Position Display	5000-14E UHP Nozzle	EXM CAN Stow Module
(2)	(3)	(4)	(5)	(6)	(7)	(8)

Components & Options Chart

COMPONENTS & OPTIONS			ILLUSTRATION	MODEL
Electric Nozzle	Fixed	60 GPM (227 LPM) with Flush	7	5000-14E UHP
Controllers	EXM Panel Mount Controller	Complete panel mount operator control suitable for 2-wire connection to any EXM enabled component.	2	7010
	EXM Handheld Controller Kit	This package includes the panel mount controller (7010), handheld conversion kit (7020), & RF transceiver module (7061). Comes pre-assembled, configured, and ready to use.	3	7015
	EXM Joystick Controller	Joystick operator control unit suitable for connection to an EXM OEM Interface Module.	4	7030
Modules	EXM Position Display Module	Monitor vertical and horizontal position display unit suitable for 2-wire connection to any EXM enabled component.	6	7051
	EXM OEM Interface Module (Wireless RF & CAN)	EXM system interface - allows connection of model 7030 Joystick or other simple OEM supplied electromechanical switches to EXM system.	Not Pictured	7072
	EXM OEM Interface Module (Wired CAN only)	EXM system interface - allows connection of model 7030 Joystick or other simple OEM supplied electromechanical switches to EXM system.	5	7073
	EXM CAN Stow Module	Connects to lockout devices to prevent equipment damage due to an improperly positioned monitor.	8	7095
Accessories	External RF Antenna	10 ft extension for 7070 OEM Interface module	Not Pictured	7062