

Scorpion® Electric

- Allows for more effective use of personnel while reducing the potential risk of injury
- Efficient at high flows — 4" fully -vaned waterway
- Extremely reliable system with built-in safety features:
 - Motors and control system components sealed to NEMA 4 rating
 - 10 vertical and 39 horizontal adjustable stop positions
 - Electronic controls with manual override
- Easy installation — monitor comes with:
 - NEMA 4 rated connectors
 - NEMA 4 rated controller
- Optional one-button automatic stow with choice of stow position (up or down) and output signal type (pulse or continuous)
- Liquid-filled pressure gauge

Shown with optional pressure gauge

Fully-vaned waterway for low friction loss and optimum stream quality



Lightweight Elk-O-Lite® construction

200
PSI

2000
GPM





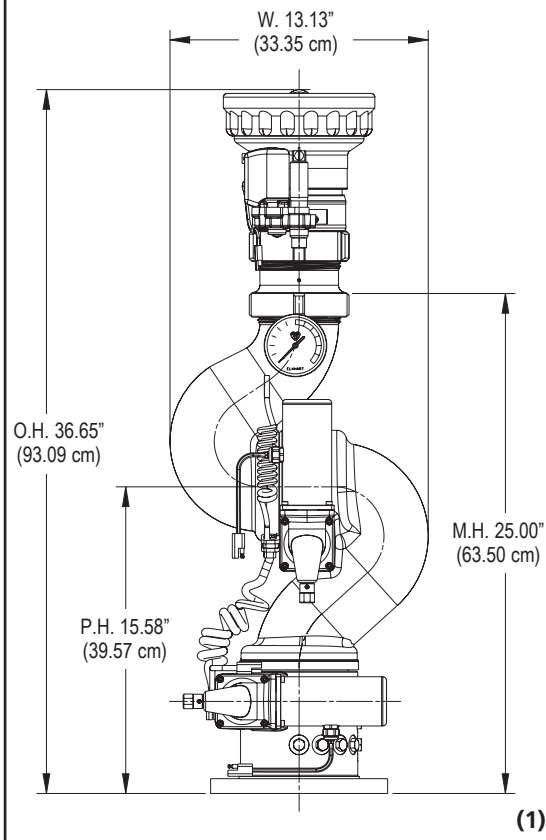
SPECIFICATIONS

Max. GPM (LPM)	2000 (7570)	
Inlet	Size	Type
	4"	150# ANSI Flange
Outlet	3.5" NHT	
Controls	Electric	
Material/Finish	Elk-O-Lite® with red urethane enamel	
Friction Loss	39 psi at 2000 gpm	
	15 psi at 1250 gpm	
Travel	V -45° to +90° (135°)	
	H 347°	
Weight	Variable (see chart for specifics)	
Ratings and Certifications	CE	

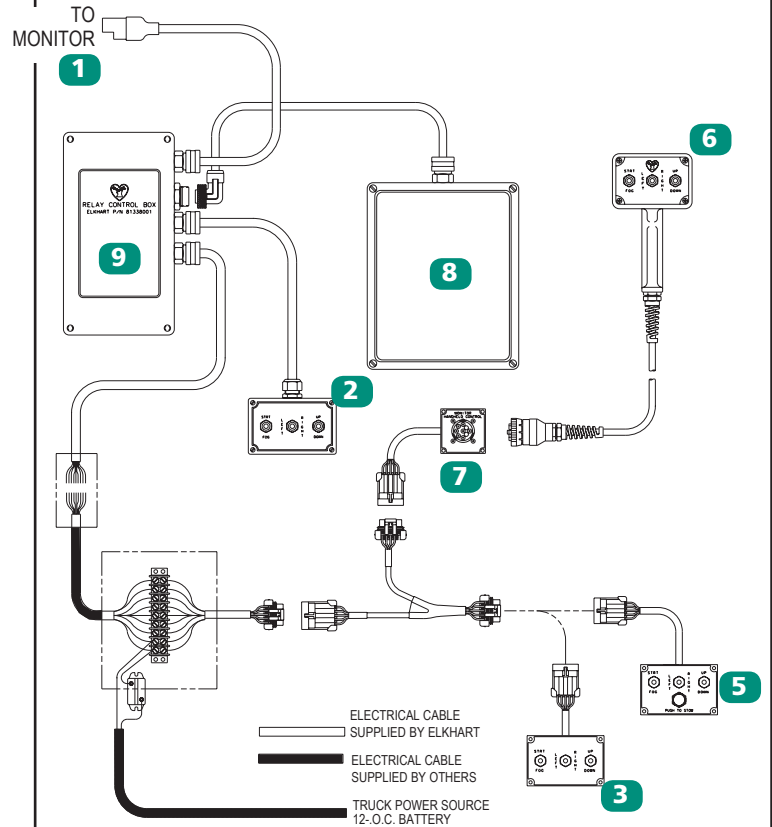
KEY CONFIGURATIONS (ACCESSORIES)



DIMENSIONS & LAYOUT



CONTROL COMPONENTS CONFIGURATION



ADDITIONAL INFORMATION

• Technical Data on monitor performance may be found on page T-11.

Scorpion® Electric Selector Guide



INLET SIZE/ TYPE	OUTLET SIZE	CONTROL MODULE VOLTAGE	MATERIALS	CERTIFICATIONS	WEIGHT (Lbs.)	MODEL
4" 150# ANSI Flange	3.5" NHT	12V DC	Elk-O-Lite®	CE		
s	•	•	•	•	43	8294-04
			1			<i>Illustration</i>

KEY s = standard o = option

Components & Options Chart

COMPONENTS & OPTIONS	ILLUSTRATION	MODEL	
Operator Controls	Panel Mount Controller	3	81339001
	Panel Mount Controller with Stow – adds stow button	5	81421001
	Aerial Switch Box Controller	2	81340001
	Joy Stick Controller – operator control	4	
	Hand-held remote control (includes receptacle)	6	81309001
Relay Control Box	Allows the monitor to interact with the operator control	9	81480001
Optional Control	Hand held control receptacle	7	81242001
24V Converter	24V to 12V		81093001
Auxiliary Battery Pack	Back-up to truck power (12V)	8	81466001
Companion Flange Kit	4" 150# ANSI steel flange with bolts and gaskets		81317001

Recommended Products

SM-2000E – X-STREAM®	ST-195 – STACKED TIP	181-3 – DELUGE TIP	284A – STREAM SHAPER	84 – BUTTERFLY WAFER VALVE
				
<i>Page 6-7</i>	<i>Page 1-26</i>	<i>Page 1-26</i>	<i>Page 1-27</i>	<i>5-51</i>

Product Highlights

The Scorpion® Electric provides two user selectable settings – stow position and stow signal output.

- The programmable options for the stow position are: 1) discharge up and 2) discharge down.
- The programmable options for stow signal output are: 1) no output until sequence is complete (for use as aerial interlock) and 2) flashing on/off signal during travel with steady signal when complete (for in-cab notification).