



PRESSURE REDUCING

INDUSTRIAL VALVES

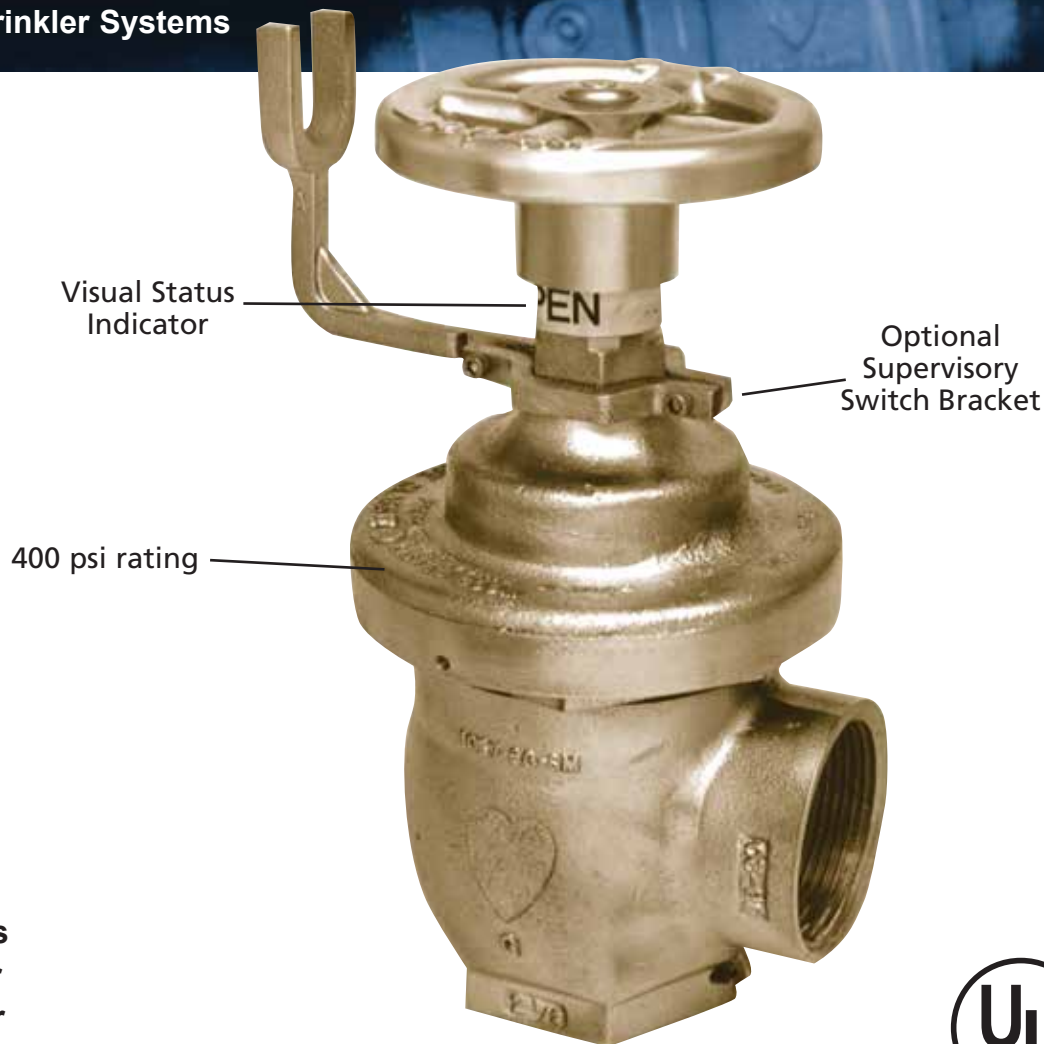
## Pressure Reducing (Pressure-Matic)

Elkhart's Pressure-Matic is a true pressure reducing valve, operated automatically by inner hydraulic controls. No diaphragms, springs or outside controls are involved with the unit, the action being completely dependent upon conditions at the nozzle or sprinkler system.

Elkhart Brass offers 18 different valve pressure types/ranges for building systems. Inlet pressure up to 400 psi (27.58 bar) is controlled under all flow and no-flow conditions. The UR valve series may be used as a standard shut-off. The valves are completely tamper-proof. They fit all existing cabinets where 1 1/2" or 2 1/2" valves are currently in use.

Pressure-Matic valves can be used for/in:

- Floor Control Valve
- Standpipe System
- Automatic Sprinkler Systems
- UL Listed as a check valve for use in dual riser systems

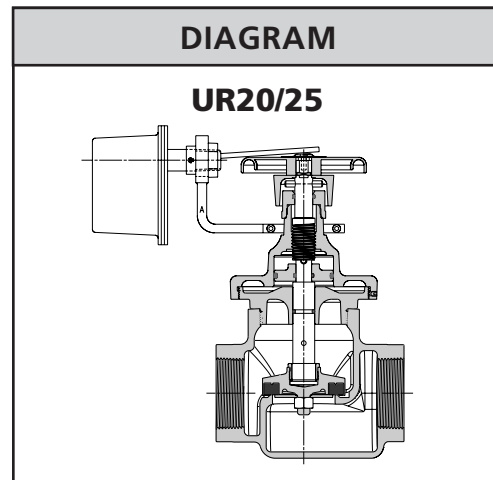
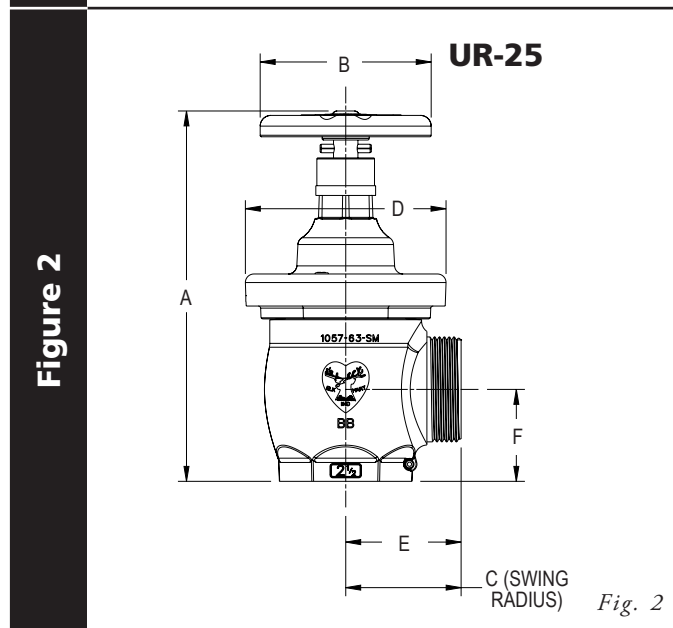
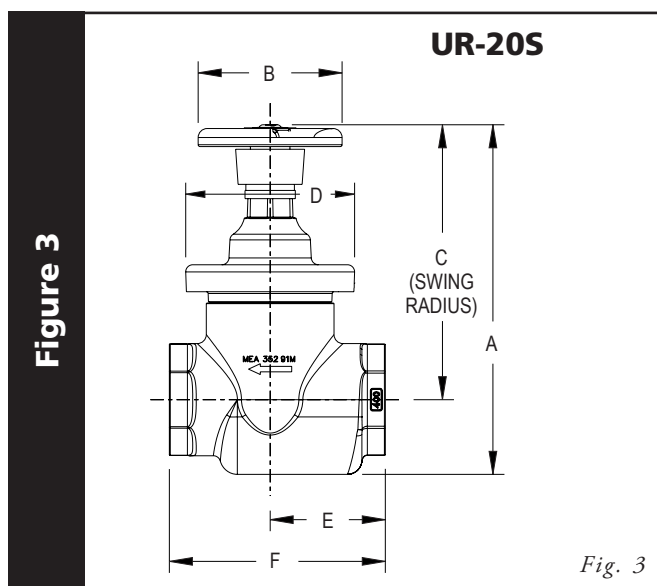
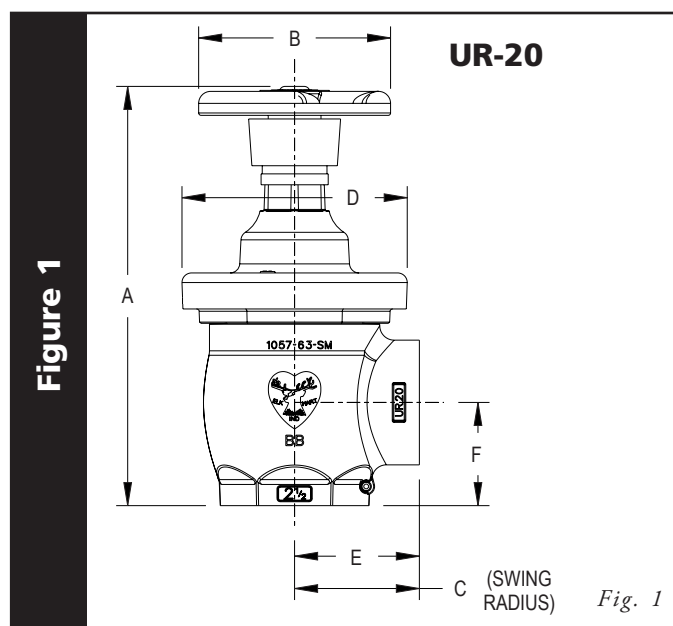


**UR Series valves not intended for use in salt water applications.**



INLET SIZES		OUTLET SIZES				TYPE		CERT.	DIMENSIONS (Inches)							BRASS FINISH			Weight (Lbs.)	MODEL	FIGURE
Female (NPT)		Female (NPT)		Male (NHT)		Ang	Str	UL Listed	A		B	C	D	E	F	Cast	Polished*	Chrome*			
1½"	2½"	1½"	2½"	1½"	2½"				Min	Max											
•		•				•		•	7¾	8¾	4	2½	3½	2¾	1⅞	s	o	o	7½	UR-20-1.5	1
•				•		•		•	7¾	8¾	4	2⅞	3½	2¾	1⅞	s	o	o	7½	UR-25-1.5	2
	•	•				•		•	11	11⅞	5	2⅞	5⅞	3¼	2⅞	s	o	o	18½	UR-20-2.5	1
	•			•		•		•	10⅞	11⅞	5	2⅞	5⅞	3⅞	2⅞	s	o	o	18½	UR-25-2.5	2
	•	•				•		•	12¾	12⅞	5	10 to 10½	5⅞	4	7½	s	o	o	26½	UR-20S-2.5	3

KEY s = standard o = option \*Partial polished



### ADDITIONAL INFORMATION

- Customer must fill out valve data sheet on page G-8, factory setting required.
- Calculator for determining valve pressure range is available from Elkhart Brass. Please inquire with our sales staff or see our website.

### THREADS

Valve inlet information is NPT unless otherwise specified. See index T-13 for alternative outlet thread options.