



SKYSTREAM™ EXM

MONITORS

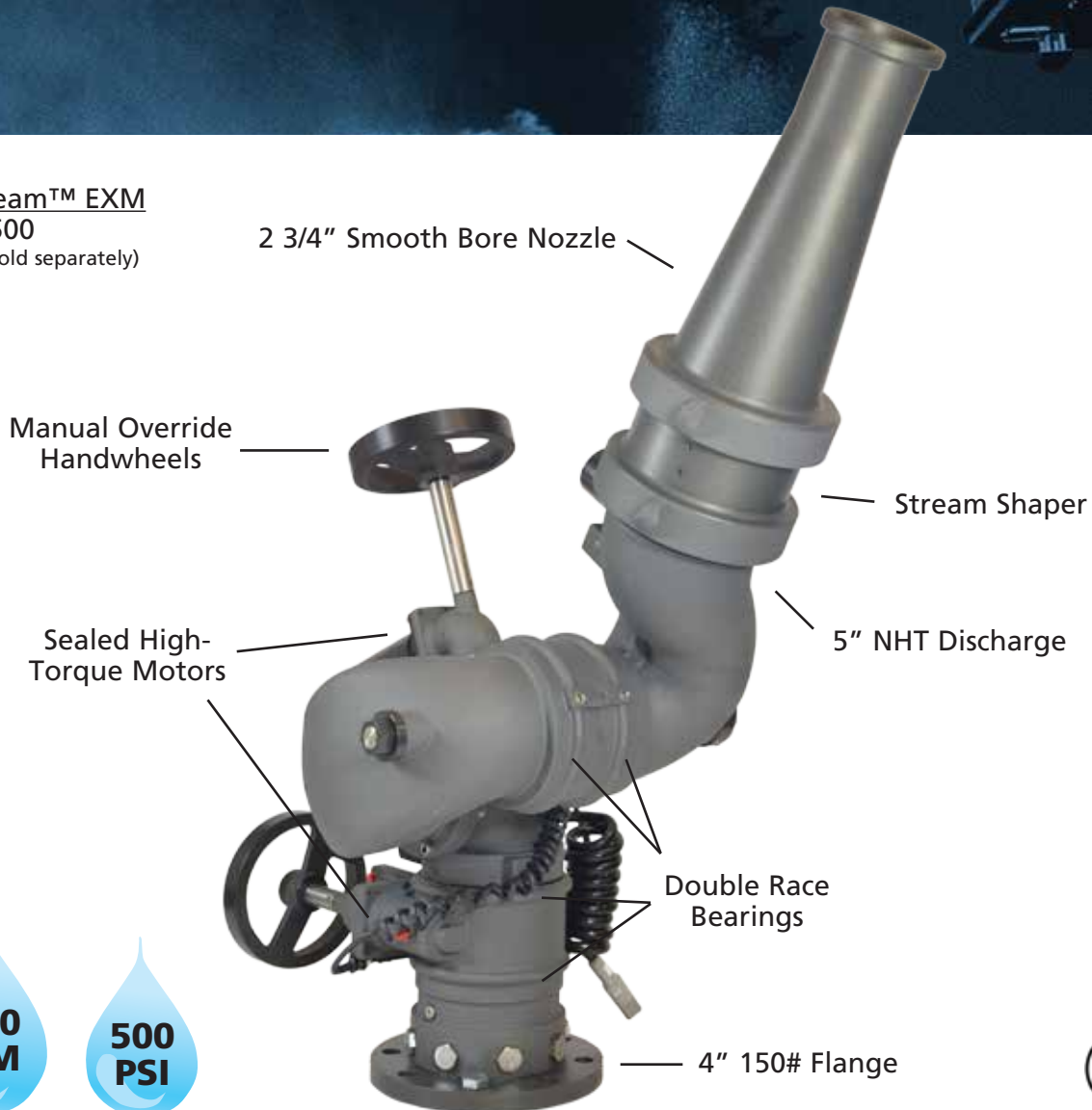
SkyStream™ EXM

Taking the Scorpion EXM to the next level, the SkyStream EXM increases the flow capability to 3000 GPM (11355 LPM). With it's 5" NHT outlet, the SkyStream delivers best in class flow that provides a reach of up to 120 meters, making it ideal for use with fire apparatus, industrial pumper, and aerial vehicles.

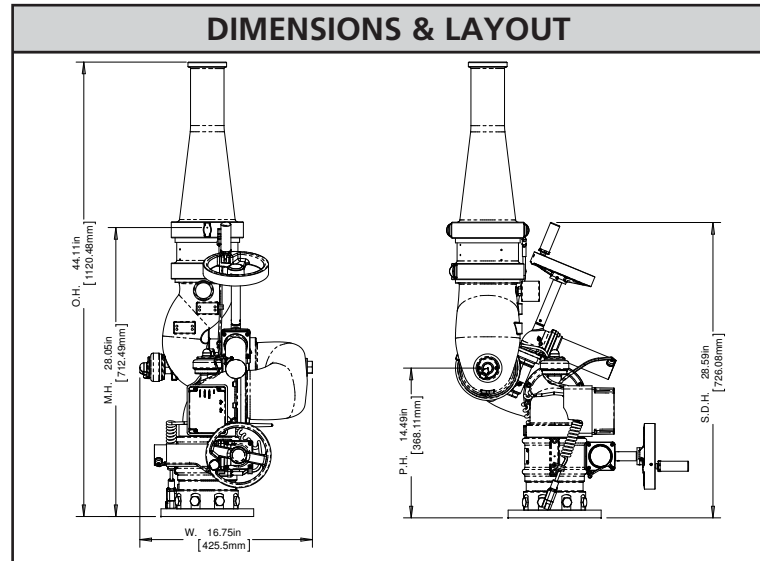
- 3000 GPM flow
- Large range of travel: -45° to +90° vertical & L175° to R175° horizontal
- Patented, elliptical waterway is Teflon impregnated, hard anodized aluminum alloy
- Programmable travel speeds, 3D travel limits, keep out zones, stow and oscillation
- Integrated water valve control

5-8

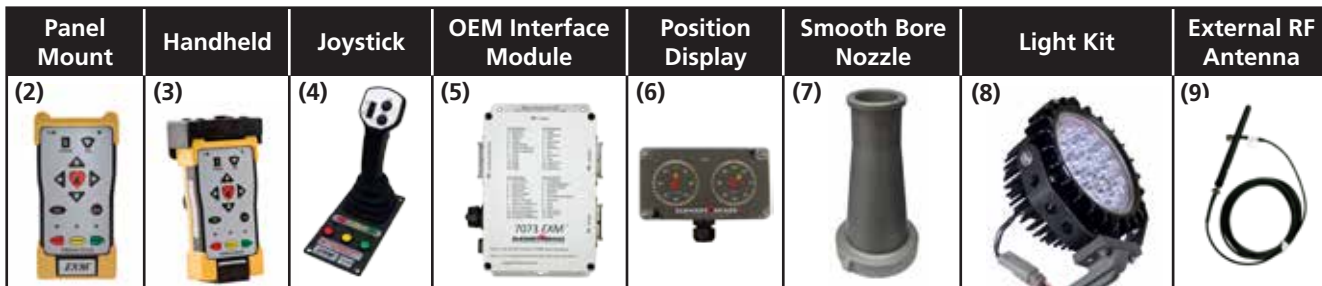
SkyStream™ EXM
Mo. 7500
(Nozzle sold separately)



SPECIFICATIONS	
Model	7500
Max Flow	3000 GPM (11355 LPM)
Max Pressure	500 PSI (34.5 bar)
Inlet	4" ANSI, DN100
Outlet	5" Male NHT
Travel (Factory Settings)	V: -45° to +90° (135°) H: L175 to R175 (350°)
Voltage	11-32 VDC
Control Communication	CAN bus (J1939) Digital radio frequency (unlicensed)
Material/Finish	Teflon impregnated, hard anodized Elk-O-Lite®
Stow Height	28.6"
Weight	57.7 Lbs.



Recommended Products



Components & Options Chart

COMPONENTS & OPTIONS			ILLUSTRATION	MODEL
Nozzles	Smooth Bore	17" long, custom 2 3/4" Smooth Bore Nozzle for use with the SkyStream™ EXM.	7	181-5A
Controllers	EXM Panel Mount Controller	Complete panel mount operator control suitable for 2-wire connection to any EXM enabled component.	2	7010
	EXM Handheld Controller Kit	This package includes the panel mount controller (7010), handheld conversion kit (7020), & RF transceiver module (7061). Comes pre-assembled, configured, and ready to use.	3	7015
	EXM Joystick Controller	Joystick operator control unit suitable for connection to an EXM OEM Interface Module.	4	7030
Modules	EXM Position Display Module	Monitor vertical and horizontal position display unit suitable for 2-wire connection to any EXM enabled component.	6	7051
	EXM OEM Interface Module (Wireless RF & CAN)	EXM system interface - allows connection of model 7030 Joystick or other simple OEM supplied electromechanical switches to EXM system.	Not Pictured	7072
	EXM OEM Interface Module (Wired CAN only)	EXM system interface - allows connection of model 7030 Joystick or other simple OEM supplied electromechanical switches to EXM system.	5	7073
	EXM CAN Stow Module	Connects to lockout devices to prevent equipment damage due to an improperly positioned monitor.	Not Pictured	7095
Accessories	External RF Antenna	10 ft extension for 7070 OEM Interface module	9	7062
	Light Kit	150w LED spot/flood from FRC. Operate and position from any Scorpion EXM control device.	8	7085