



END CAP OPTIONS

END CAP (ADAPTER) OPTIONS

The 800, 2800 and 2900 series valves can be utilized as inline, suction, or discharge valves with virtually any fire pump. Choose any of these end cap options, based on valve size, to make up the valve combination that best fits your individual needs.

All dimensions shown in charts, unless otherwise noted, are the length (L) of the end cap. (Fig. 1)

All end caps for the 1.0", 1.5", 2.0" 2.5", and 4.0" valves have 4 bolts. (Fig. 2)

End caps for the 3.0" valves have 6 bolts. (Fig. 3)

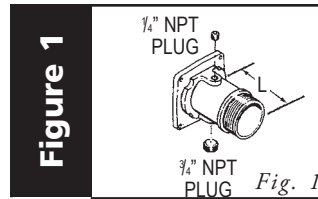


Figure 1

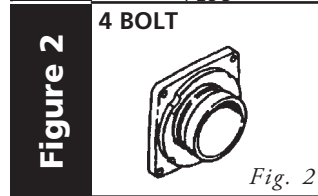


Figure 2

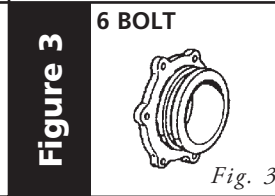


Figure 3

MALE HOSE THREAD END CAPS

End Cap No.	30	31	32	33	34
Valve Size					
1.5"	1.187" L +			2.000" L +•	
2.0"	1.375" L +	1.562" L (2.5" Thd) ++			3.000" L (2.5" Thd) ++
2.5"	1.750" L +	1.812" L (3.0" Thd) ++	2.750" L +	4.000" L +	
3.0"		2.625" L (3.5" Thd) ++		4.125" L +♥	4.125" L (3.5" Thd) ++♥

MALE HOSE THREAD END CAPS

End Cap No.	35	36	37	37.1	96
Valve Size					
2.5"	5.000" L +	6.187" L +♥	7.016" L (45°) +	12.312" L +	1.750" L +
3.0"			6.724" L (2.5" Thd) +++•		
4.0"					




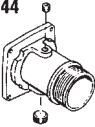
- + Thread size same as valve size.
- ++ Thread size larger than valve size.
- +++ Thread size smaller than valve size.
- ♥ Has two .750" NPT drain taps.
- No plugs in this end cap.

ADDITIONAL INFORMATION





THREADS

All hose threads are NHT unless otherwise specified. See index T-13 for alternative thread options.

MALE NPT END CAPS

End Cap No.	40	41	43	44
Valve Size				
1.5"	1.375" L +		2.000" L +•	
2.0"	1.625" L +	1.937" L (2.5" Thd) ++		3.000" L +
2.5"	1.937" L +	2.078" L (3.0" Thd) ++		5.000" L +
3.0"	2.625" L +			
4.0"	2.687" L +			

VICTAULIC & FLEXHOSE END CAPS

End Cap No.	50	51	52	60
Valve Size				
1.5"	1.625" L (1.5" VIC)			
2.0"	1.625" L (2.0" VIC)		3.000" L (2.0" VIC)	
2.5"	1.750" L (2.5" VIC)		2.750" L (2.5" VIC)	
3.0"	1.937" L (3.0" VIC)	1.750" L (4.0" VIC)	3.531" L (3.0" VIC)♥	1.963" L (3.5" O.D.) (4° PITCH)
4.0"	2.063" L (4.0" VIC)		3.563" L (4.0" VIC)	

- + Thread size same as valve size.
- ++ Thread size larger than valve size.
- +++ Thread size smaller than valve size.
- ♥ Has two .750" NPT drain taps.
- No plugs in this end cap.

APPARATUS VALVES

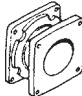
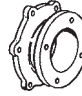



END CAP OPTIONS

APPARATUS VALVES

8-25

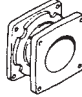
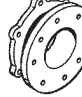
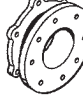
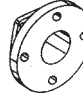
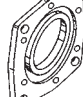

FLANGE END CAPS

End Cap No.	20	20	21
Valve Size			
1.5"	1.750" L ***		
2.0"	2.750" L W or H ++++		
2.5"	2.750" L W or H ++++		2.125" L W or H ++++
3.0"		2.312" L H ++++	2.312" L H ++++

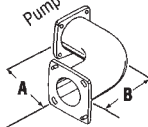
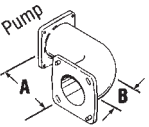
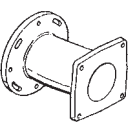
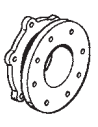
Designations for pump flanges:

D = Darley Pump
H = Hale Pump
W = Waterous Pump

FLANGE END CAPS

End Cap No.	22	22	22.1	94	53	54
Valve Size						
2.5"	2.125" L D +			2.563" L 2.5" - 150# (ANSI)		
3.0"		2.312" L H ++	2.312" L D +		.750" L W **	2.675" L W (4° Pitch) +++
4.0"				3.000" L 4.0" - 150# (ANSI)		

FLANGE END CAPS





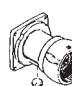



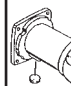
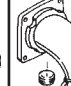

End Cap No.	24		25		28	29
Valve Size						
	A	B	A	B		
2.0"	3.750"	5.500"				
	W or H ++++					
2.5"	6.000"	5.500"	6.000"	3.500"	6.093" L W or H ++++•	
	W or H ++++		W or H ++++			
3.0"					5.500" L W or H ++++•	
4.0"						2.687" L W +++

+ Flange has 4.594" bolt circle.
++ Flange has 5.750" bolt circle.
+++ Flange has 5.500" bolt circle.
++++ Flange has 4.375" bolt circle.



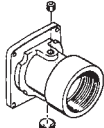
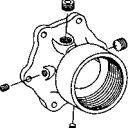
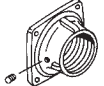

* Flange has 6.625" bolt circle.
** Flange has 7.778" bolt circle.
*** Flange has 3.000" bolt circle.
**** Flange has 4.250" bolt circle.

• Offset .547" (10.8")
▼ Elbow 94°

FEMALE HOSE THREAD SWIVEL END CAPS

End Cap No.	10	11	19	12	13	14	17	15	16	18	98
Valve Size											
1.5"	1.766" L +										
2.0"		2.297" L (2.5" Thd) ++									
2.5"	2.297" L +	2.437" L (3.0" Thd) ++		3.203" L +	4.922" L +	5.062" L (3.0" Thd) ++		7.297" L +	7.437" L (3.0" Thd) ++	7.933" L (45°) +	
3.0"			2.859" L (2.5" Thd) +++		4.562" L +♥		4.422" L (2.5" Thd) +++♥				6.219" L +♥
4.0"											

FEMALE NPT END CAPS

End Cap No.	01	02	03	05	95	97
Valve Size						
1.5"	.969" L +	1.469" L (2.0" Thd) ++	2.000" L +•			
2.0"	1.062" L +	1.625" L (2.5" Thd) ++	3.000" L +			
2.5"	1.937" L +	2.078" L (3.0" Thd) ++	4.000" L +		1.937" L +•	1.250" L +
3.0"	1.625" L +	2.625" L (3.5" Thd) ++	4.125" L +♥	4.500" L (4.0" Thd) ++♥		
4.0"	2.050" L +		3.291" L +*			

- + Thread size same as valve size.
- ++ Thread size larger than valve size.
- +++ Thread size smaller than valve size.

- ♥ Has two .750" NPT Drain Taps.
- .125" NPT plug and no .750" plug.
- * .750" NPT plug and no .250" plug.