

APPARATUS VALVES

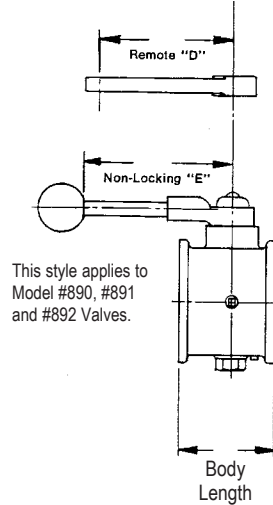
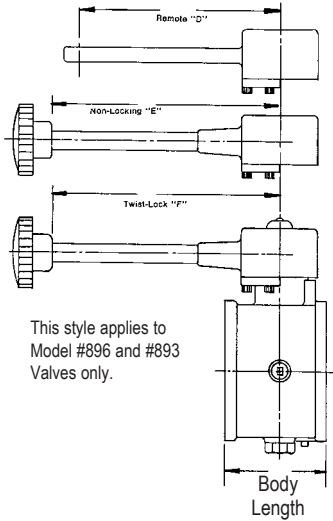


HANDLE OPTIONS

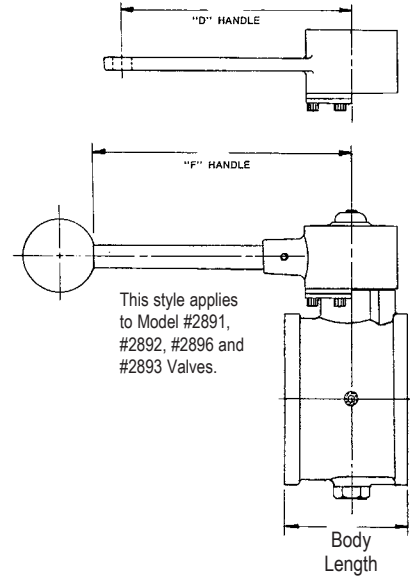
APPARATUS VALVES

8-27

800 SERIES VALVES

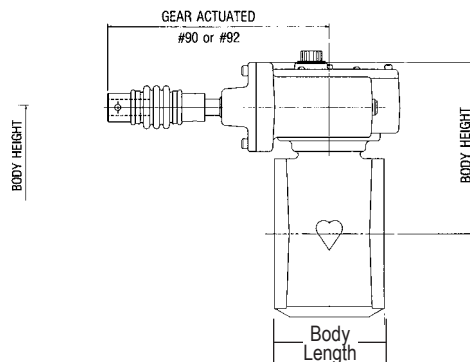
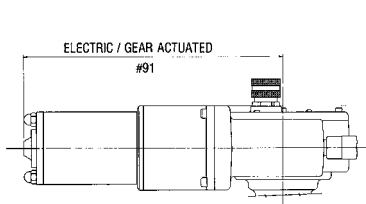


2800 SERIES VALVES



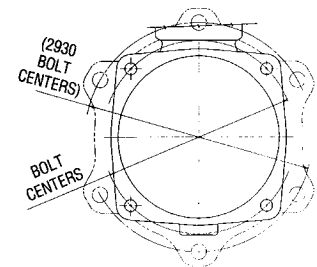
Size	BODY		HANDLES		
	Model	Length	"D"	"E"	"F"
1.0"	890	1.75"	3.5"	3.875"	—
	—	—	—	—	—
1.5"	891	2.5"	3.5"	3.875"	—
	2891	2.5"	3.5"	—	4.312"
2.0"	892	3"	3.5"	3.875"	—
	2892	3"	3.5"	—	4.312"
2.5"	896	3.375"	6.75"	8"	8"
	2896	3.375"	6.75"	—	8"
3.0"	893	4.234"	6.75"	8"	8"
	2893	4.234"	6.75"	—	8"

2900 SERIES VALVES



Model	BODY		ACTUATOR LENGTH			
	Size	Length	Height	#90	#91	#92
2915	1.5"	2.5"	4.63"	N/A	6.38"	N/A
2920	2"	3"	4.88"	N/A	6.38"	N/A
2925	2.5"	3.39"	5.16"	—	6.38"	—
2930	3"	4.23"	6"	6.83"	8.5"	6.82"
2940	4"	4.77"	6.31"	6.82"	8.5"	6.82"

BOLT CENTERS



SIZE	END CAP BOLT CENTERS	END CAP BOLT PATTERN
1.5"	3.5"	4 Bolt
2"	4.19"	4 Bolt
2.5"	5.06"	4 Bolt
3"	6"	6 Bolt
4"	7.25"	4 Bolt