



FIELD ADJUSTABLE PRESSURE REDUCING

Field Adjustable Pressure Reducing (URFA)

Elkhart's URFA valve is a true pressure reducing valve, operated automatically by inner hydraulic controls. While the valves are preset at the factory, they are field adjustable — allowing you to tailor the pressure to your needs. They feature manual valve open and close, as well as pressure adjustment — all of which require extremely low torque to change due to the patent pending design. Inlet pressure up to 400 psi (27.58 bar) is controlled under all flow and no-flow conditions.

Valve size and weight permit installation in significantly tighter areas and smaller hose cabinets (those used for 1 1/2" or 2 1/2" valves) — allowing savings of both space and money. The URFA also functions as a floor control valve in automatic sprinkler systems as well as a standpipe valve or hose valve for Class I and Class III systems.

INDUSTRIAL VALVES

10-1



**URFA Series valves
not intended for
use in salt water
applications.**



INLET SIZE	OUTLET SIZES		TYPE		CERT.	DIMENSIONS (INCHES)								Integral Superv. Switch	FINISH			Wt. (Lbs.)	MODEL	FIGURE
						Closed				Open					Cast	Chrome				
						A	B	A	B	C	D	E	F			Pol	Pol			
2½"	2½"		Angled	Straight	UL Listed	13 ⁷ / ₁₆	11 ⁷ / ₁₆	14 ⁷ / ₁₆	12 ⁷ / ₁₆	2 ⁷ / ₁₆	3 ⁷ / ₄	5	5 ¹ / ₂	o	s	o	o	28	URFA-20	1
F	F (NPT)*	M (NHT)				13 ⁷ / ₁₆	11 ⁷ / ₁₆	14 ⁷ / ₁₆	12 ⁷ / ₁₆	2 ⁷ / ₁₆	3 ⁷ / ₈	5	-	-	s	o	o	27	URFA-25	2
NPT*						14 ⁷ / ₁₆	12 ⁷ / ₁₆	15 ⁷ / ₁₆	13 ⁷ / ₁₆	3 ¹ / ₂	4	5	5 ¹ / ₂	o	s	o	o	32	URFA-20S	3

KEY s = standard o = option

* Grooved connection available for inlet or outlet use — add 1.44" per connection.

Figure 1

URFA-20

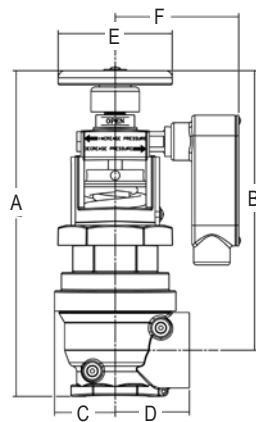


Fig. 1

Figure 2

URFA-25

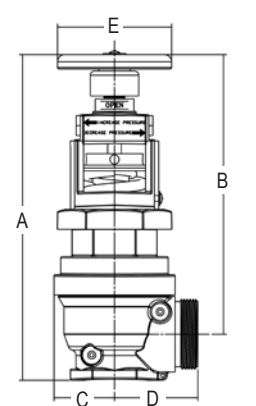


Fig. 2

Figure 3

URFA-20S

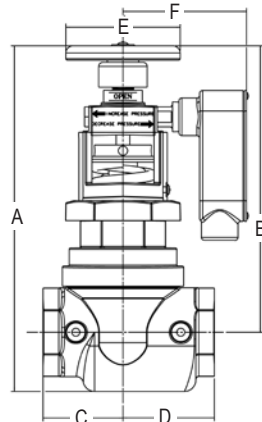


Fig. 3

PRODUCT HIGHLIGHTS

URFA features include:

- Manual open-close requires less than 15 lbs. of torque
- Pressure rated up to 400 psi (27.58 bar)
- Flow rated up to 500 gpm (1893 lpm)
- Open-Close indication from 2 view directions
- Color-coded pressure reduction label
- Tapped for pressure gauge on both inlet and outlet side of valve
- Tamper-resistant protection
- UL Listed as a check valve for use in dual riser systems
- Optional integral supervisory switch (alarm) mounts directly to valve with no bracket required
- Optional integral supervisory switch (alarm) is available either "OPEN TO SIGNAL" or "CLOSE TO SIGNAL"
 - With the URFA valve in the full open position the supervisory switch contacts are CLOSED. When the valve hand wheel is turned in the closed direction the supervisory switch contacts OPEN. This is defined as "OPEN TO SIGNAL".
 - With the URFA valve in the full open position the supervisory switch contacts are OPEN. When the valve hand wheel is turned in the closed direction the supervisory switch contacts CLOSE. This is defined as "CLOSE TO SIGNAL".

ADDITIONAL INFORMATION

Includes adjustment rod.

THREADS

- Valve inlet information is NPT unless otherwise specified. Special threads available through adapter use.
- See index T-13 for alternative outlet thread options.



PRESSURE REDUCING

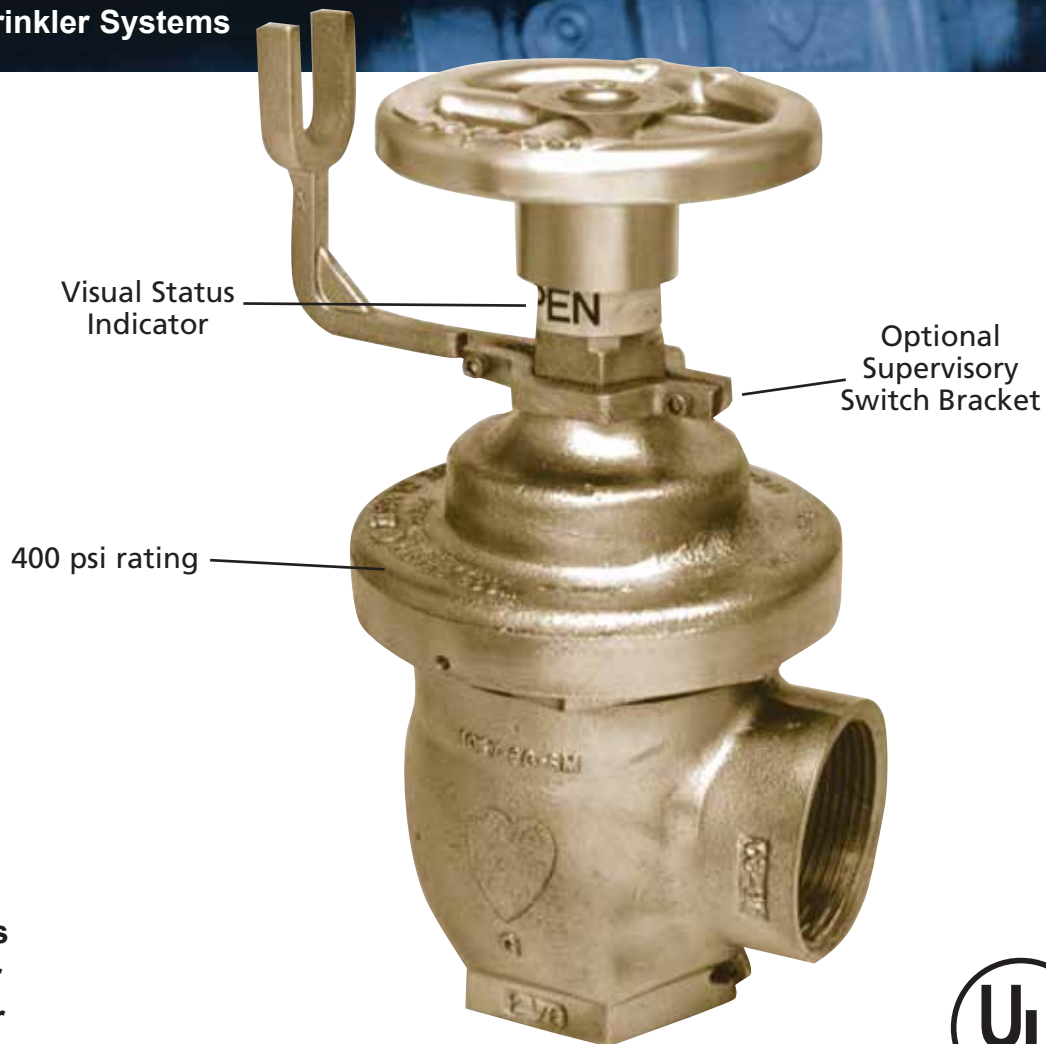
Pressure Reducing (Pressure-Matic)

Elkhart's Pressure-Matic is a true pressure reducing valve, operated automatically by inner hydraulic controls. No diaphragms, springs or outside controls are involved with the unit, the action being completely dependent upon conditions at the nozzle or sprinkler system.

Elkhart Brass offers 18 different valve pressure types/ranges for building systems. Inlet pressure up to 400 psi (27.58 bar) is controlled under all flow and no-flow conditions. The UR valve series may be used as a standard shut-off. The valves are completely tamper-proof. They fit all existing cabinets where 1 1/2" or 2 1/2" valves are currently in use.

Pressure-Matic valves can be used for/in:

- Floor Control Valve
- Standpipe System
- Automatic Sprinkler Systems
- UL Listed as a check valve for use in dual riser systems

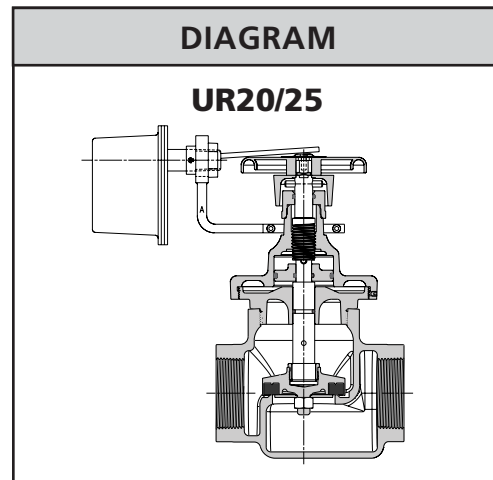
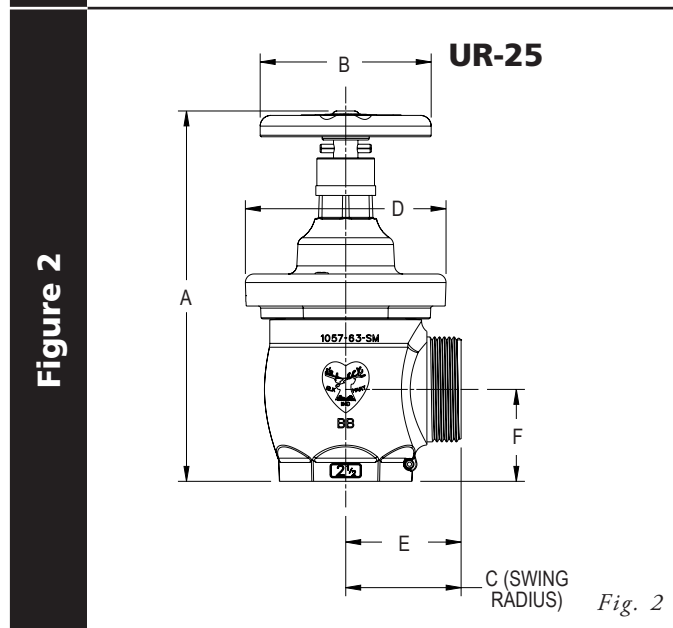
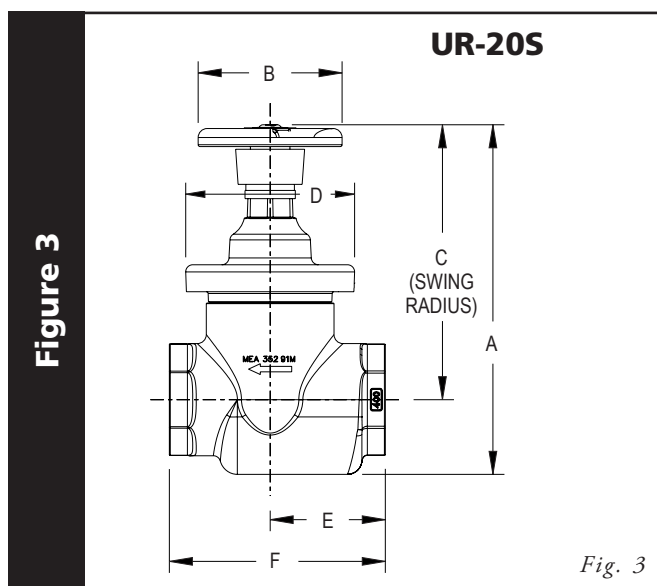
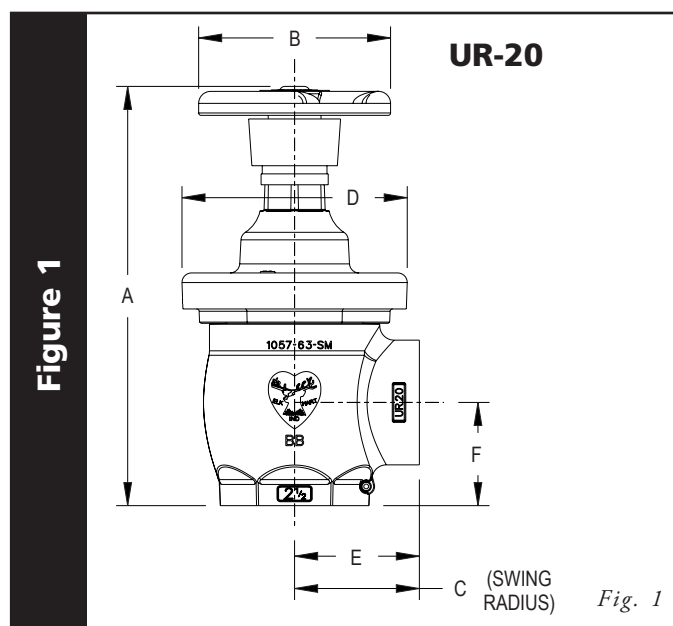


**UR Series valves
not intended for
use in salt water
applications.**



INLET SIZES		OUTLET SIZES				TYPE		CERT.	DIMENSIONS (Inches)						BRASS FINISH			Weight (Lbs.)	MODEL	FIGURE
Female (NPT)		Female (NPT)		Male (NHT)		Ang	Str		UL Listed	A		B	C	D	E	F	Cast			
1½"	2½"	1½"	2½"	1½"	2½"			Min		Max										
•		•				7¾	8¾	4	2½	3½	2¾	1⅞	s	o	o	7½	UR-20-1.5	1		
•				•		7¾	8¾	4	2⅞	3½	2¾	1⅞	s	o	o	7½	UR-25-1.5	2		
	•	•				11	11⅞	5	2⅞	5⅞	3¼	2⅞	s	o	o	18½	UR-20-2.5	1		
	•			•		10⅞	11⅞	5	2⅞	5⅞	3⅞	2⅞	s	o	o	18½	UR-25-2.5	2		
	•	•				12¾	12⅞	5	10 to 10½	5⅞	4	7½	s	o	o	26½	UR-20S-2.5	3		

KEY s = standard o = option *Partial polished



ADDITIONAL INFORMATION

- Customer must fill out valve data sheet on page G-8, factory setting required.
- Calculator for determining valve pressure range is available from Elkhart Brass. Please inquire with our sales staff or see our website.

THREADS

Valve inlet information is NPT unless otherwise specified. See index T-13 for alternative outlet thread options.



PRESSURE RESTRICTING

Pressure Restricting

Elkhart's pressure restricting valves all feature rugged cast brass construction in your choice of finishes. The pressure restricting valves feature rubber seats and are rated for use at 175 psi (12.15 bar). Although factory setting is recommended, all the pressure restricting valves are field-settable.

Pressure restricting valves:

- Reduce pressure under flowing conditions
- Allow fire departments to override settings in emergency conditions



**UP Series valves
not intended for
use in salt water
applications.**



INLET SIZES		OUTLET SIZES				CERTIFICATIONS	BRASS FINISH			DIMENSIONS (Inches)					Weight (Lbs.)	MODEL	FIGURE
Female		Female		Male			UL Listed	Cast	Polished	Chrome Polished	Swing Radius	A	B	Height			
1½"	2½"	1½"	2½"	1½"	2½"	Open								Closed			
•		•				•	s	o	o	2½	2 ⁷ / ₁₆	4	7 ⁷ / ₈	6 ⁷ / ₈	6	UP-20-1.5	1
	•		•			•	s	o	o	3 ⁵ / ₈	3 ¹ / ₄	5	11	9 ³ / ₈	11 ³ / ₄	UP-20-2.5	1
•				•		•	s	o	o	2½	2 ¹ / ₈	4	7 ⁷ / ₈	6 ⁷ / ₈	6	UP-25-1.5	2
	•				•	•	s	o	o	3 ⁵ / ₈	3 ¹ / ₄	5	11	9 ³ / ₈	11 ³ / ₄	UP-25-2.5	2

KEY s = standard o = option

Figure 1

UP-20



Fig. 1

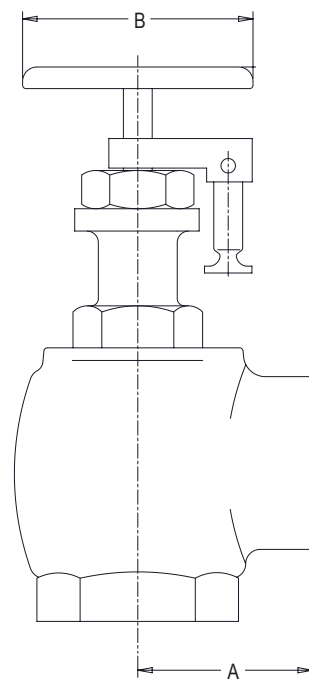
Figure 2

UP-25



Fig. 2

DIAGRAM



ADDITIONAL INFORMATION

All valves can be factory set. To order any of the valves listed here factory set, customer must provide residual inlet pressure, desired residual outlet pressure, and flow rate. Please see ordering form on page G-8.

OTHER PRODUCTS

For valves that reduce pressure in no-flow situations please see our Pressure-Matic (page 10-3) or URFA (page 10-1) valves.

THREADS

Female inlet and outlet information is in NPT unless otherwise specified. Male outlet standard is NHT. Contact Elkhart Brass for alternative outlet thread options.

INDUSTRIAL VALVES



ANGLE

Angle

Elkhart's angle valves all feature rugged cast brass construction in your choice of finishes. Additionally, all feature rubber seats and are rated at 300 psi (20.68 bar).



**U Series valves
not intended for
use in salt water
applications.**



INDUSTRIAL VALVES

10-7

INLET SIZES		OUTLET SIZES				CERTIFICATIONS		BRASS FINISH			DIMENSIONS (Inches)					Weight (Lbs.)	MODEL	FIGURE
Female		Female		Male		FM App'd	UL Listed	Cast	Polished	Chrome Polished	Swing Radius	A	B	Height				
1½"	2½"	1½"	2½"	1½"	2½"									Open	Closed			
•		•				•	•	s	o	o	2½	2 ³ / ₁₆	4	7 ⁷ / ₈	6 ⁷ / ₈	6	U-20-1.5	1
	•		•			•	•	s	o	o	3 ⁵ / ₈	3 ¹ / ₄	5	11	9 ³ / ₈	11 ³ / ₄	U-20-2.5	1
•				•		•	•	s	o	o	2½	2 ³ / ₁₆	4	7 ⁷ / ₈	6 ⁷ / ₈	6	U-25-1.5	2
	•				•	•	•	s	o	o	3 ⁵ / ₈	3 ¹ / ₄	5	11	9 ³ / ₈	11 ³ / ₄	U-25-2.5	2

KEY s = standard o = option

Figure 1

U-20



Fig. 1

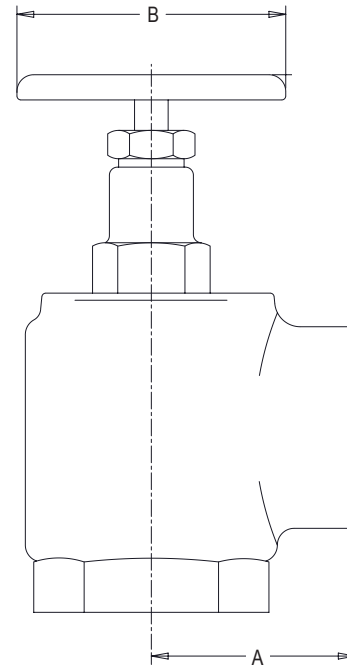
Figure 2

U-25



Fig. 2

DIAGRAM



ADDITIONAL INFORMATION

THREADS

Valve inlet information is in NPT unless otherwise specified. See index T-13 for alternative outlet thread options.