

MONITORS



SCORPION® EXM2

MONITORS

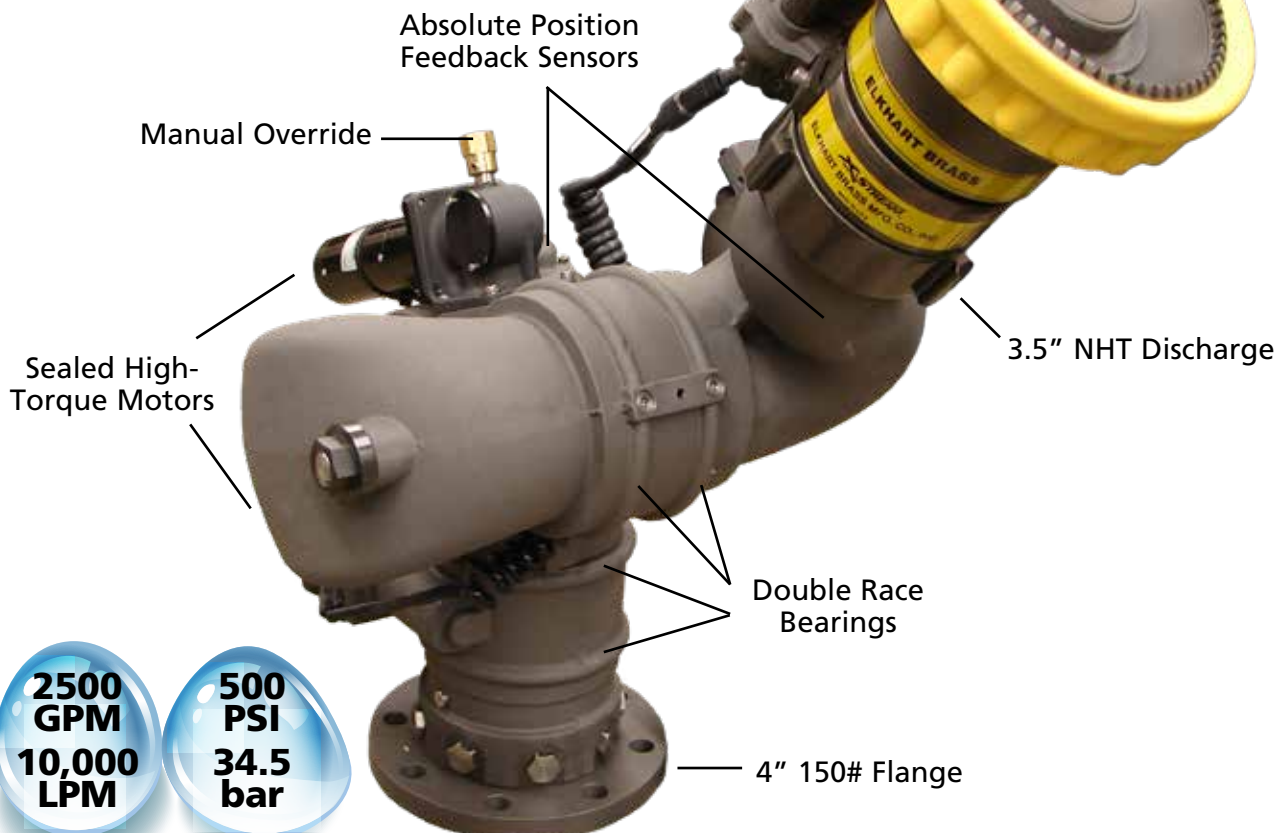
Scorpion® EXM²

The Scorpion EXM2 monitor is specially designed for severe duty cycles. Unique waterway swivel joints utilize stainless steel thrust rods, and axially aligned thrust bearings for unprecedented durability in all firefighting applications. With its 3.5" vaned waterway, the Scorpion EXM provides large flow with minimal turbulence. The monitor can be controlled by hardwired input devices via CAN bus J1939, or by an optional Radio Frequency (RF) device. The monitor may be powered with 12 or 24 volts.

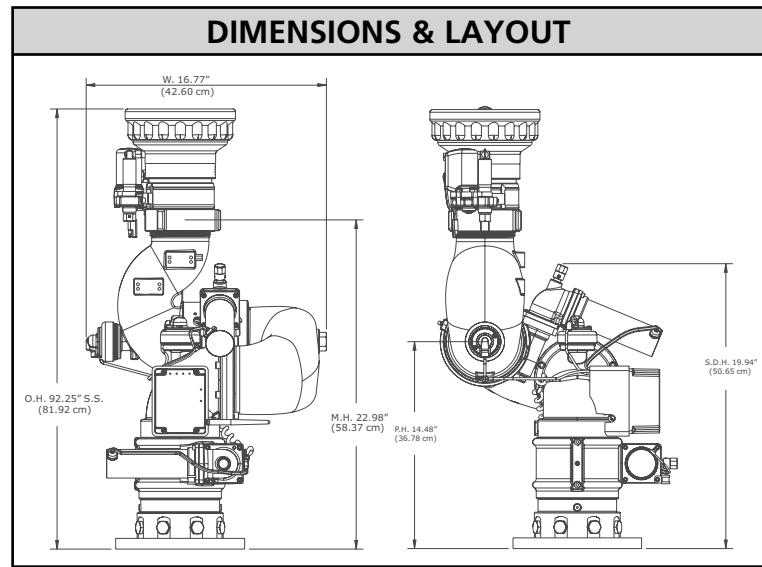
- 2500 GPM flow
- Large range of travel: -45° to +90° vertical & L175° to R175° horizontal (up to -80° or +120° vertical travel achievable with max travel of 135°)
- Patented, elliptical waterway is Teflon impregnated, hard anodized aluminum alloy
- Programmable travel speeds, 3D travel limits, keep out zones, stow and oscillation
- Integrated water valve control

5-6

Scorpion® EXM2
Mo. 7400
(Nozzle sold separately)



SPECIFICATIONS	
Model:	7400X2
Max Flow:	2500 GPM (10,000 LPM)
Max Pressure:	500 PSI (34.5 bar)
Inlet:	4" ANSI, DN100
Outlet:	3.5" Male NHT & BSPP
Travel:	Vertical: -45° to +90° (135°) Horizontal: L175 to R175 (350°)
Voltage:	12 or 24 VDC compatible
Control:	CANbus J1939
Communication:	915 MHz RF - FCC 868 MHz RF - CE
Material/Finish:	Teflon impregnated, hard anodized Elk-O-Lite®
Stow Height:	20" (508mm)
Weight:	52 lbs (23.6 kg)



Recommended Products

Panel Mount	Handheld	Joystick	Position Display	X-Stream Series Nozzle	Light Kit
(2)	(3)	(4)	(5)	(6)	(7)

Components & Options Chart

COMPONENTS & OPTIONS			ILLUSTRATION	MODEL
Electric Nozzles	X-Stream Series Automatic	3.5" Inlet: 350-1250 GPM (1325-4731 LPM)	6	SM-1250E
		3.5" Inlet: 500-2000 GPM (1893-7571 LPM)	6	SM-2000E
Controllers	EXM2 Panel Mount Controller	Complete panel mount operator control suitable for 2-wire connection to any EXM2 enabled component.	2	7010X2
	EXM2 Wireless Handheld Controller Kit	Wireless remote control with powered docking station. Built-in charging circuit charges the remote whenever it is placed in the docking station.	3	7015X2
	EXM2 Joystick Controller	Proportional joystick with integrated CANbus communication. Hardwire joystick direct via CANbus to any EXM2 monitor.	4	7030X2
Modules	EXM Position Display Module	Monitor vertical and horizontal position display unit suitable for 2-wire connection to any EXM enabled component.	5	7051X2
	EXM CAN Stow Module	Connects to lockout devices to prevent equipment damage due to an improperly positioned monitor.	Not Pictured	7095
Accessories	Light Kit	Includes 3500 lumen FRC WorkPro spotlight, mounting bracket and power harness.	7	7092L
	Video Kit	Includes camera and mounting bracket, 7" color monitor and harnesses.	Not Pictured	7092V