



BOA 2000

MONITORS

## BOA 2000

The efficient 4" vaned waterway and 3.5" discharge matched with an SM-2000E master stream nozzle delivers an effective stream while the power of the EXM2 provides all of the user-programmable options, including travel limits, oscillation, stow and keep-out zones.

Powered by:

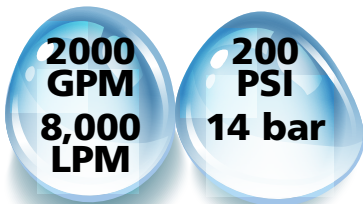


5-12

Boa 2000  
Mo. 7451  
(Nozzle sold separately)

EXM Control  
Module

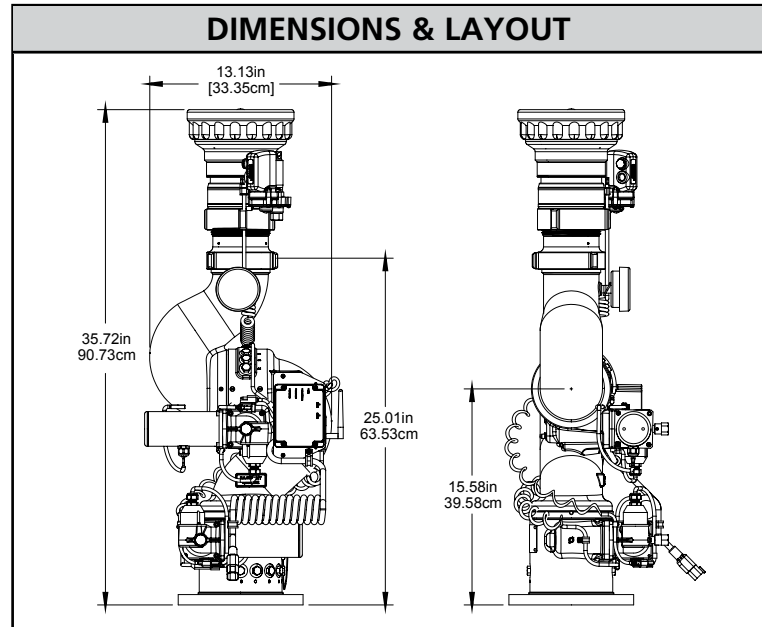
3.5" NHT Discharge



4" 150# Flange



SPECIFICATIONS	
Model	7451
Max Flow	2000 GPM (7570 LPM)
Max Pressure	200 PSI (13.8 bar)
Inlet	4" 150# Flange
Outlet	3.5" Male NHT
Travel (Factory Settings)	V: -45° to +120° (120°) H: L175 to R175 (350°)
Voltage	11-32 VDC
Control Communication	CAN bus (J1939) Digital radio frequency (unlicensed)
Material/Finish	Red urethane enamel, hard anodized Elk-O-Lite®
Stow Height	20"
Weight	47 Lbs. (21.3 kg)



### Recommended Products

Panel Mount	Handheld	Joystick	Position Display	X-Stream Series Nozzle
(2)	(3)	(4)	(5)	(6)

### Components & Options Chart

COMPONENTS & OPTIONS			ILLUSTRATION	MODEL
Electric Nozzles	X-Stream Series Automatic	3.5" Inlet: 350-1250 GPM (1325-4731 LPM)	6	SM-1250E
		3.5" Inlet: 500-2000 GPM (1893-7571 LPM)	6	SM-2000E
Controllers	EXM2 Panel Mount Controller	Complete panel mount operator control suitable for 2-wire connection to any EXM2 enabled component.	2	7010X2
	EXM2 Wireless Handheld Controller Kit	Wireless remote control with powered docking station. Built-in charging circuit charges the remote whenever it is placed in the docking station.	3	7015X2
	EXM2 Joystick Controller	Proportional joystick with integrated CANbus communication. Hardwire joystick direct via CANbus to any EXM2 monitor.	4	7030X2
Modules	EXM Position Display Module	Monitor vertical and horizontal position display unit suitable for 2-wire connection to any EXM enabled component.	5	7051X2
	EXM CAN Stow Module	Connects to lockout devices to prevent equipment damage due to an improperly positioned monitor.	Not Pictured	7095