

MONITORS



SIDEWINDER® EXM2 UHP

Sidewinder® EXM² UHP

Taking the Sidewinder EXM2 to the next level, Elkhart's 7161 Sidewinder EXM Ultra-High Pressure (UHP) monitor has been designed and developed to meet U.S. Air Force specifications, and is now being offered for all other UHP needs; including Aircraft Rescue & Fire Fighting (ARFF).

- 1500 PSI pressure
- Extreme Torque Motors
- Sealed to NEMA 4
- Teflon impregnated, hard anodized aluminum alloy
- Programmable travel speeds, 3D travel limits, keep out zones, stow and oscillation

5-14

Sidewinder® EXM2 UHP
Mo. 7161
(Nozzle sold separately)

Sealed
High-Torque
Motors

Manual Override

Absolute Position
Feedback Sensors

1.5" NHT Discharge

Fully-Vaned, Cast
Aluminum Waterway

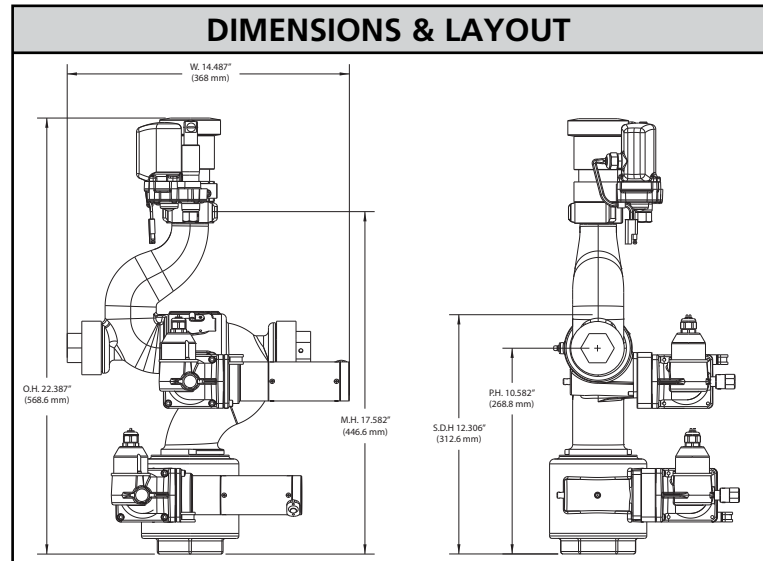
Double Race
Bearings

2.5" NPT Base

300
GPM
1200
LPM

1500
PSI
105
bar

SPECIFICATIONS	
Model:	7161X2
Max Flow:	300 GPM (1200 LPM)
Max Pressure:	1500 PSI (105 bar)
Inlet:	2.5" NPT
Outlet:	1.5" NHT
Travel:	Vertical: -45° to +90° (135°) Horizontal: L90 to R90 (180°)
Voltage:	12 or 24 VDC compatible
Control:	CANbus J1939
Communication:	915 MHz RF - FCC 868 MHz RF - CE
Material/Finish:	Teflon impregnated, hard anodized Elk-O-Lite®
Stow Height:	12.3" (313 mm)
Weight:	27 lbs (12.2 kg)



Recommended Products

Panel Mount	Handheld	Joystick	Position Display	5000-14E UHP Nozzle	EXM CAN Stow Module
(2)	(3)	(4)	(5)	(6)	(7)

Components & Options Chart

COMPONENTS & OPTIONS			ILLUSTRATION	MODEL
Electric Nozzle	Fixed	60 GPM (227 LPM) with Flush	6	5000-14E UHP
Controllers	EXM2 Panel Mount Controller	Complete panel mount operator control suitable for 2-wire connection to any EXM2 enabled component.	2	7010X2
	EXM2 Wireless Handheld Controller Kit	Wireless remote control with powered docking station. Built-in charging circuit charges the remote whenever it is placed in the docking station.	3	7015X2
	EXM2 Joystick Controller	Proportional joystick with integrated CANbus communication. Hardwire joystick direct via CANbus to any EXM2 monitor.	4	7030X2
Modules	EXM Position Display Module	Monitor vertical and horizontal position display unit suitable for 2-wire connection to any EXM enabled component.	5	7051X2
	EXM CAN Stow Module	Connects to lockout devices to prevent equipment damage due to an improperly positioned monitor.	7	7095