



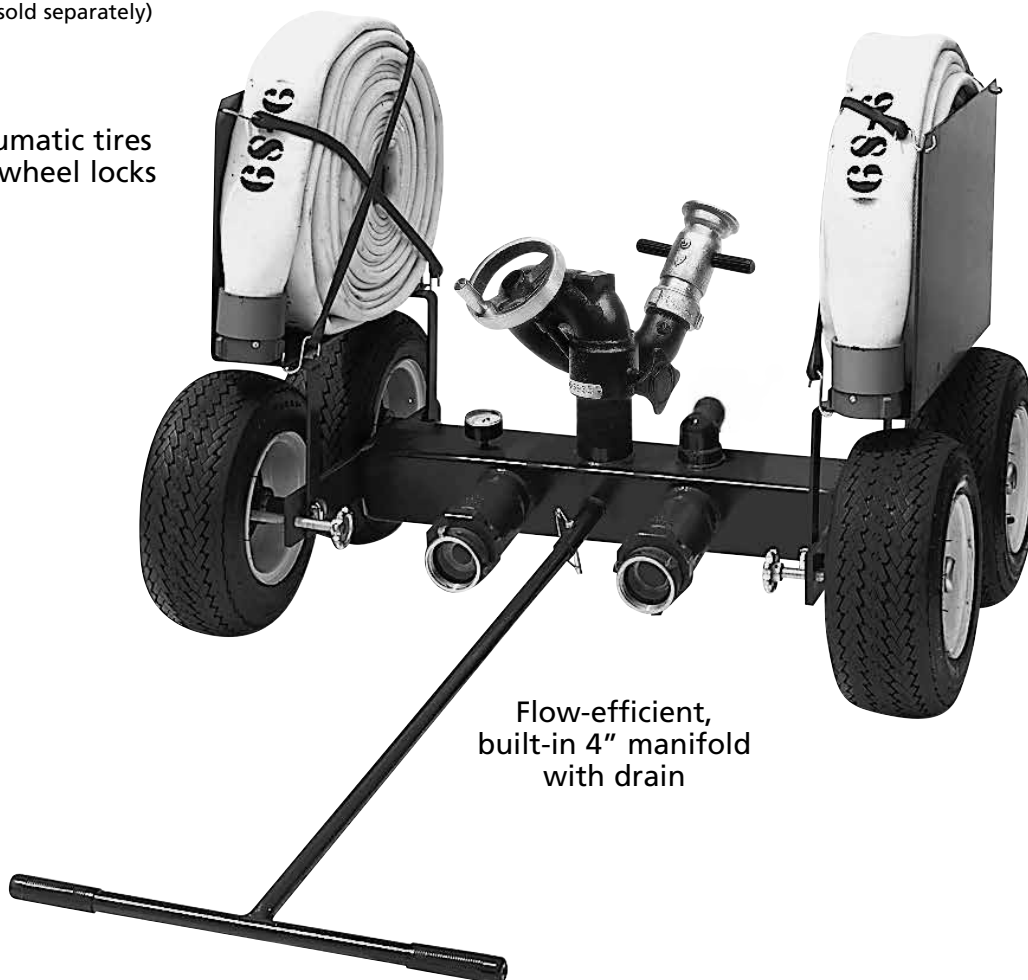
Portable Carts

- Portable wheeled carts come furnished with a flow-efficient, built-in 4" manifold
- Wheels feature pneumatic tires and wheel locks
- The monitors have stop positions at 45° on either side of center and 20° above horizontal
- Cart specific highlights include:
 - The two wheel cart attaches with a 1 $\frac{7}{8}$ " or 2" coupler; to the vehicle for extra stability during flow; two hose beds each capable of holding two (2) 50' sections of 2 $\frac{1}{2}$ " or 3" hose
 - The four wheel cart has a detachable "tee" handle, optional hose racks above the wheels — each capable of holding a 50' "donut roll" of 2 $\frac{1}{2}$ " hose
- Liquid-filled pressure gauge

5-54

(Nozzle sold separately)

Pneumatic tires
and wheel locks



Red urethane
finished



Flow-efficient,
built-in 4" manifold
with drain

200
PSI

750
or
1000
GPM

SPECIFICATIONS		
Max. GPM (LPM)	(See selector guide for specifics) 2 x 2.5" NHT (F)	
Inlet Sizes/Types	Optional Additional Cart Inlets	
	1 x 5" Storz	
	1 x 4" Storz	
	2 x 2.5" NHT (F) (Swivel)	
Outlet Size	2.5" NHT	
Controls	Single hand-wheel	
Material/Finish	Brass with red urethane enamel	
Friction Loss	GPM	Stingray® Carts (8393)
	*1000	56 psi
	750	34 psi
Travel	500	
	12 psi	
Travel	V Variable (see chart for specifics)	
	H L45° to R45° (90°)	
Weight	See selection chart for specifics	

*8393-TW only

KEY CONFIGURATIONS (ACCESSORIES)	
	
8393TW (1)	8393FW (2)

ADDITIONAL INFORMATION
<ul style="list-style-type: none"> • These monitor types are also available in monitor only and hydrant versions. • Please see page 5-35 for Stingray® (8393 series) details. • When flowing 1000 gpm, the cart must be attached to vehicle for safety.

Portable Cart Selector Guide

Cart Type/ GPM (LPM)	Monitor	INLET OPTIONS				OUT-LET	CART FEATURES				VERTICAL TRAVEL	CONTROLS	DIMENSIONS (Inches)			Weight (Lbs.)	ILLUSTRATION	MODEL
		2 x 2.5" NHT*	2 x 2.5" NHT* +4" Storz	2 x 2.5" NHT* +5" Storz	4 x 2.5" NHT*		2.5" NHT	T Handle	Coupler	Pressure Gauge			Hose Beds	Width	Depth			
2-Wheel/ 1000 (3875)	Stingray 8393	s	o	o	o	•		⊗	s	s	•	s	67.00	72.00	34.00	310.0	1	8393TW
4-Wheel/ 750 (2839)	Stingray 8393	s	o	o	o	•	s		s	o	•	s	67.00	72.00	34.00	230.0	2	8393FW



KEY s = standard o = option

* Clappered female swivel inlets.

** This feature will change the height of the end product.

⊗ Storz inlet carts have 2.0" coupler - 2 x 2.5" & 4 x 2.5" NHT have 1.875" coupler

Recommended Products

SM-1000HF – SELF-EDUCTING	IMS-500 – SELECT-O-STREAM®	J – MYSTERY®	181 – DELUGE TIP	282B – STREAM SHAPER
				
Page 6-16	Page 6-12	Page 6-14	Page 1-26	Page 1-27