

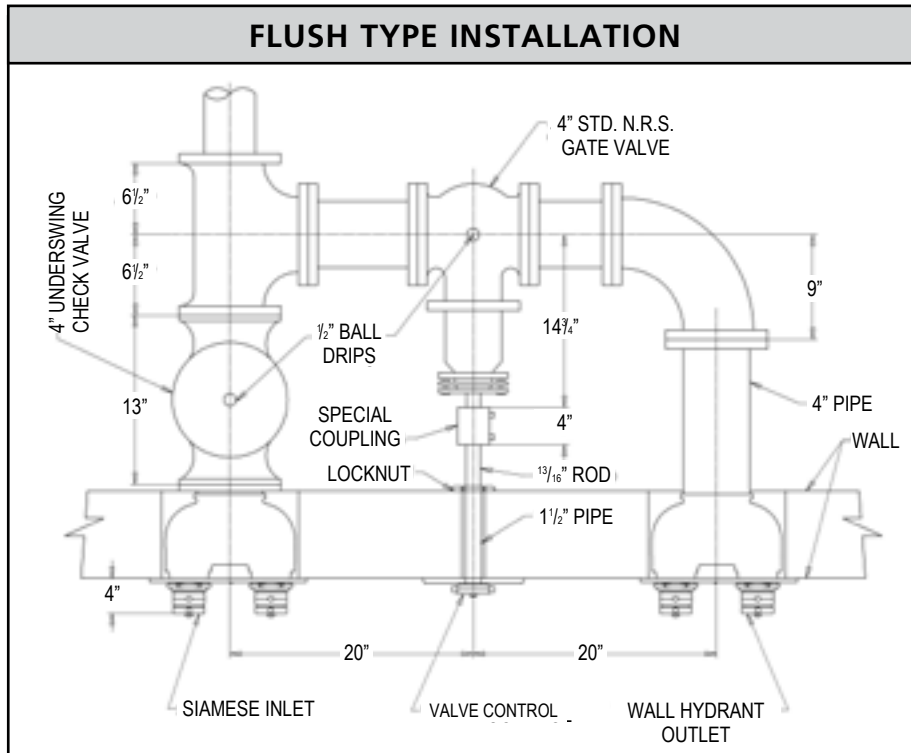


FLUSH 4-WAY OUTLET

INSTALLATION DIRECTION			BODY TYPE		AVAILABLE ESCUTCHEON LETTERING		FINISH		Weight (Lbs.)	MODEL	FIGURE
Vertical	Horizontal	Square	Straight	90°	Hydrant	Pump Test Conn.	Polished Brass	Polished Chrome			
•			•		s		s	o	92	784	2
	•		•		s		s	o	92	785	3
	•			•	s		s	o	92	787	4
		•		•	s		s	o	109 ¹ / ₄	743	1
•			•			s	s	o	92	784-P	2
	•		•			s	s	o	92	785-P	3

Key s = standard o = option

FLUSH TYPE INSTALLATION



ADDITIONAL INFORMATION

- Each 2¹/₂" M NHT outlet has a rated flow of 250 gpm (946 lpm).
- Inlet connection is a 6" NPT.
- Supplied with caps (#310) and chains.
- Bodies rated for 175 psi (12.1 bar).

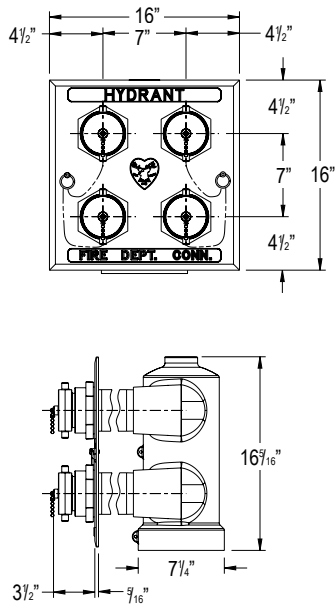
THREADS

Unless otherwise noted, all hose threads are NHT. See index T-13 for available optional threads.

OTHER PRODUCTS

- See page 13-18 for Flush Outlet Connections.
- 3" NPT nipple required. Elkhart Brass does not supply.

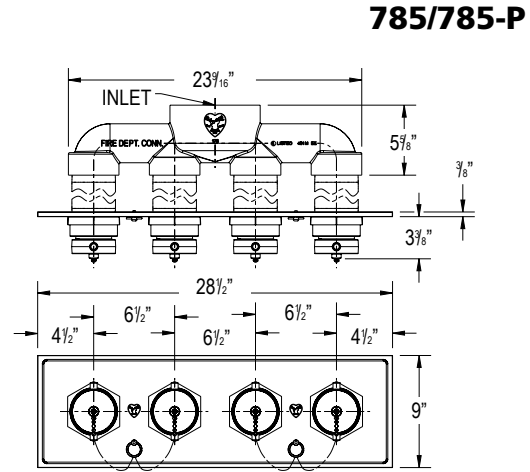
FIGURE 1



743

Fig. 1

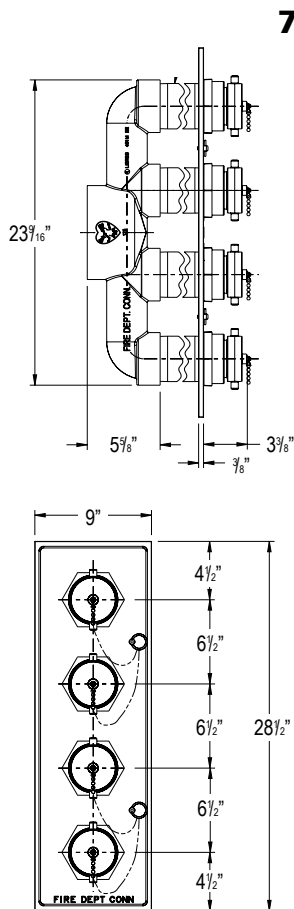
FIGURE 3



785/785-P

Fig. 3

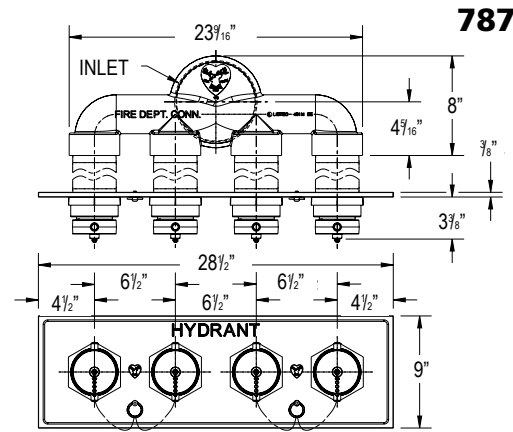
FIGURE 2



784/784-P

Fig. 2

FIGURE 4



787

Fig. 4