

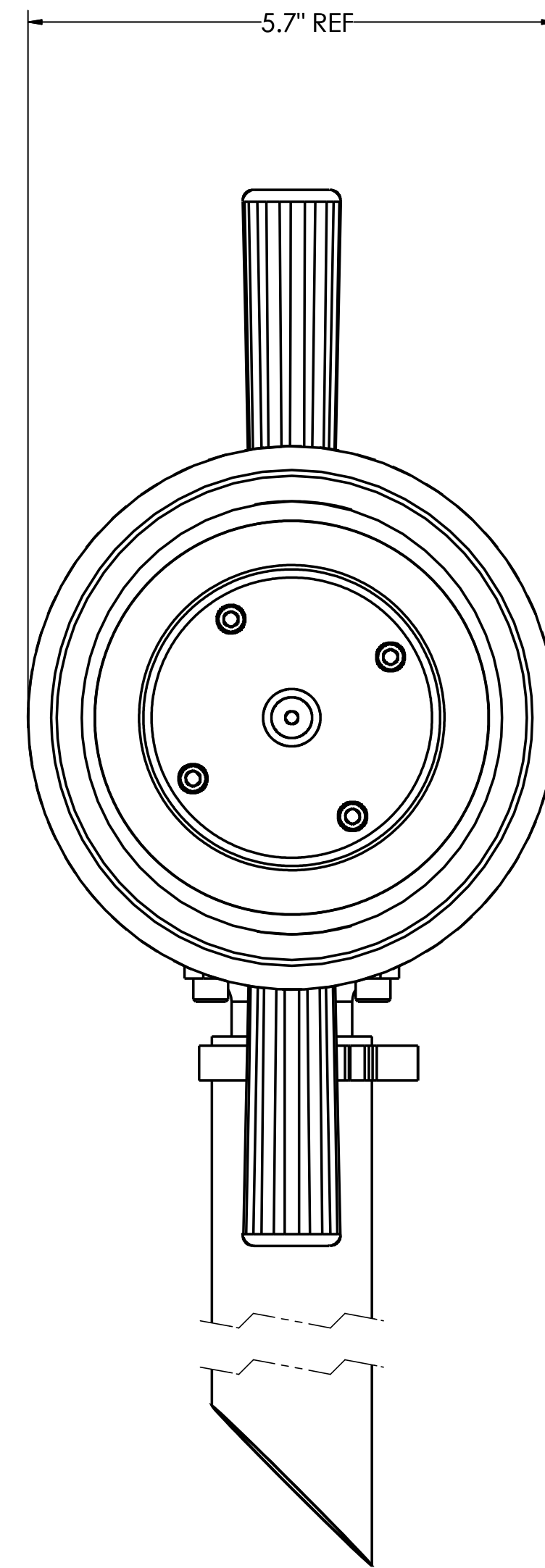
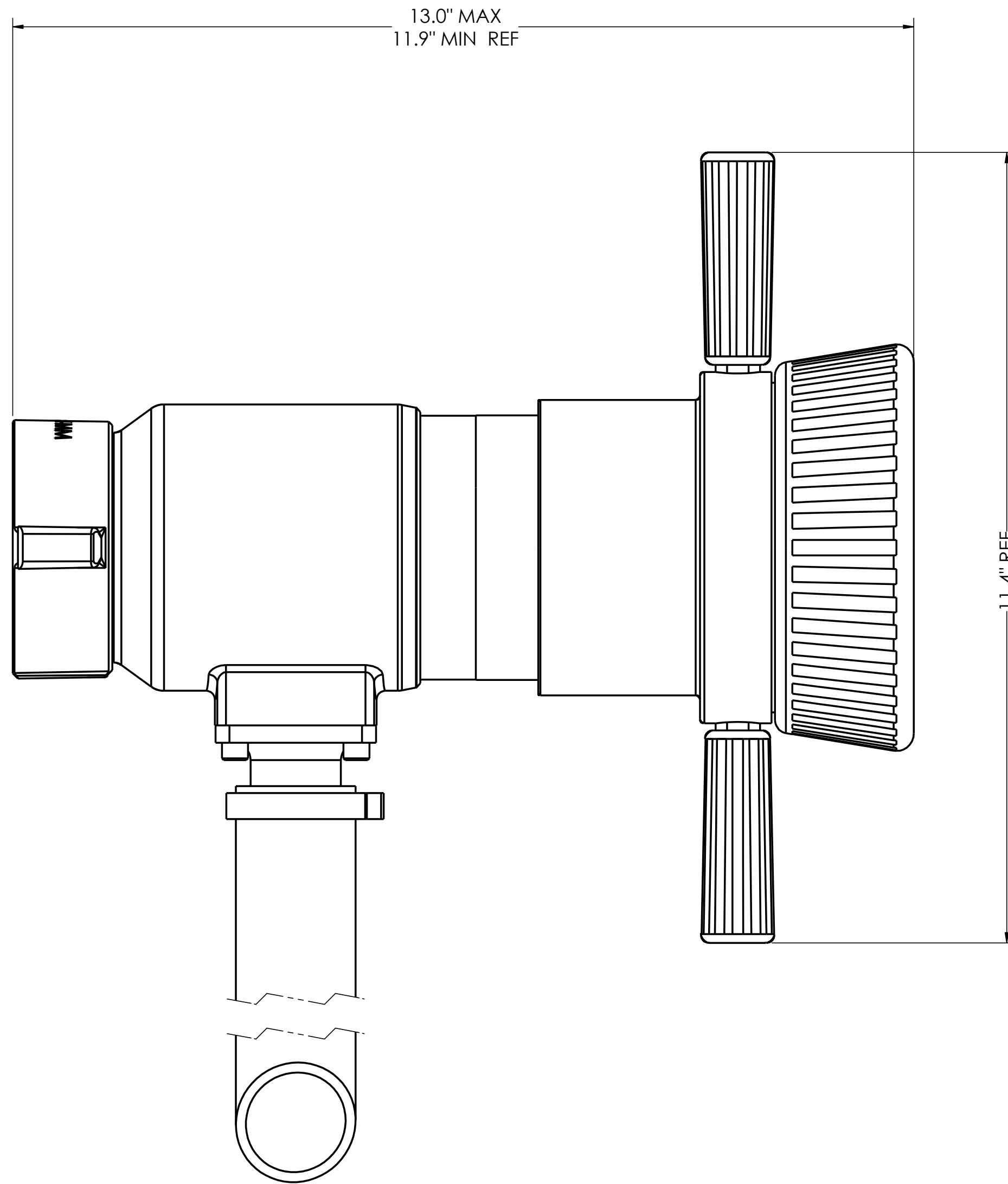
THIS DRAWING CONTAINS INFORMATION THAT IS PROPRIETARY TO ELKHART BRASS MFG CO., INC. AND MAY NOT BE USED TO PRODUCE ANY PARTS, ASSEMBLIES OR PRODUCTS DESCRIBED HEREIN WITHOUT EXPRESS WRITTEN PERMISSION

27	15766001	DISC-METERING (1000 GPM & 1%)	1
26	36024001	HANDLE-MANUAL CSW-LB	2
25	57414000	O RING AS-568-152 3.237 X.103	1
24	33626000	GRIP - HAND (BLACK)	2
23	57337000	O RING AS-568-025 1.176 X.070	3
22	57482000	O RING AS-568-029 1.489 X.070	1
21	57316000	O RING AS-568-242 3.984 X.139	1
20	33268000	GASKET RUBBER 4.218 X3.671 X.125	1
19	23563000	CLAMP - HOSE (1.750)	1
18	36621001	HOSE 1.25-ID 9-FT	1
17	61041000	SCREW 250-20X0.625 SOC CAP SS	4
16	15018000	0.187 STAINLESS STEEL BALL	52
15	10513001	ADAPTER-TUBE (FOAM)	1
14	65202000	SCREW-SET (SLOTTED) S/S 3/8-24 X 0.187-LG	1
13	33083000	GASKET R 3.187 X 2.562 X .187TH	1
12	62919002	SWIVEL 2.5 2R/L O/BG	1
11	39157001	INLET INSERT	1
10	63789000	SCREW 10-24X0.625 SOC CAP SS	4
9	63591001	SPACER	4
8	52822501	PLATE TOP (2.5" CSW-LB F)	1
7	65513001	STEM HEAD (CSW-LB F3.5)	1
6	33632000	BUMPER RUBBER	1
5	67246001	STEM HEAD TUBE-1000 GPM	1
4	61591001	STREAM SHAPER HF NOZZLE	1
3	66770001	TIP - NOZZLE (2.5" NOZZLE)	1
2	18136001	BARREL - CENTER (2.5" NOZZLE)	1
1	32255001	2.5 FOAM MODULE (BRASS)	1
ITEM NO.	PART NUMBER	DESCRIPTION	Default/QTY.



THIS DRAWING CONTAINS INFORMATION THAT IS PROPRIETARY TO ELKHART BRASS MFG CO., INC. AND MAY NOT BE USED TO PRODUCE ANY PARTS, ASSEMBLIES OR PRODUCTS DESCRIBED HEREIN WITHOUT EXPRESS WRITTEN PERMISSION

HF13 PROPORTIONING DISC



ELKHART BRASS MFG. CO., INC. <small>#1302 West Broadway Ave. Elkhart, IN 46514, USA This print and all other technical data are the property of Elkhart Brass Mfg. Co., Inc. and will not be disclosed to others without the consent of Elkhart Brass Mfg. Co., Inc. The user must be advised to Elkhart Brass Mfg. Co., Inc. in writing. Copyright © 2012 by Elkhart Brass Mfg. Co., Inc.</small>		DRAWN BY KJM	DATE 11/13/18	ELKHART BRASS Fire Fighting Equipment
MATERIAL N/A		CHECKED BY KJM	DATE 11/13/18	
TOLERANCE UNLESS OTHERWISE SPECIFIED: 1 PLACE DEC. ± .12" 2 PLACE DEC. REF. ANGLES ± 1°		HEIGHT SIZE 25.9		DESCRIPTION HYDROFOAM 750/1000 GPM 1 7/8"/3% NOZZLE
UNLESS OTHERWISE SPECIFIED DIMENSIONS ARE IN INCHES DO NOT SCALE PRINT		ASSEMBLY		SIZE D
INTERPRET DIMENSIONS AND TOLERANCES PER ASME Y14.5M 1994 CAD MODEL:				CATALOG NO. HF13 NOZZLE
		CAD SCALE 1:4		REV. REL
		SHEET 5 OF 5		50088751, 00088651 REV. REL