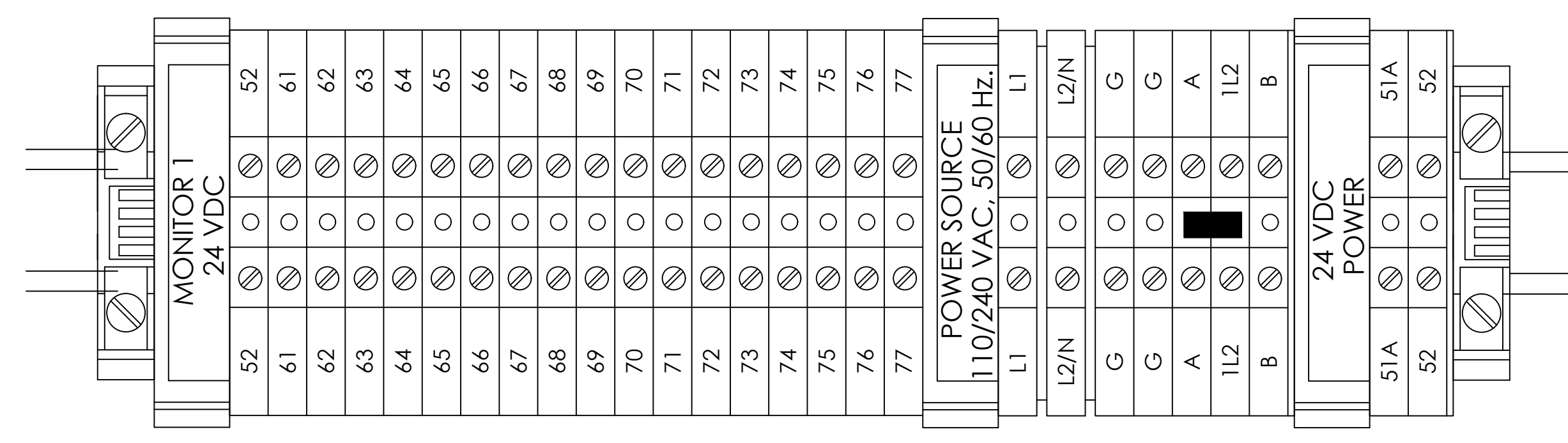
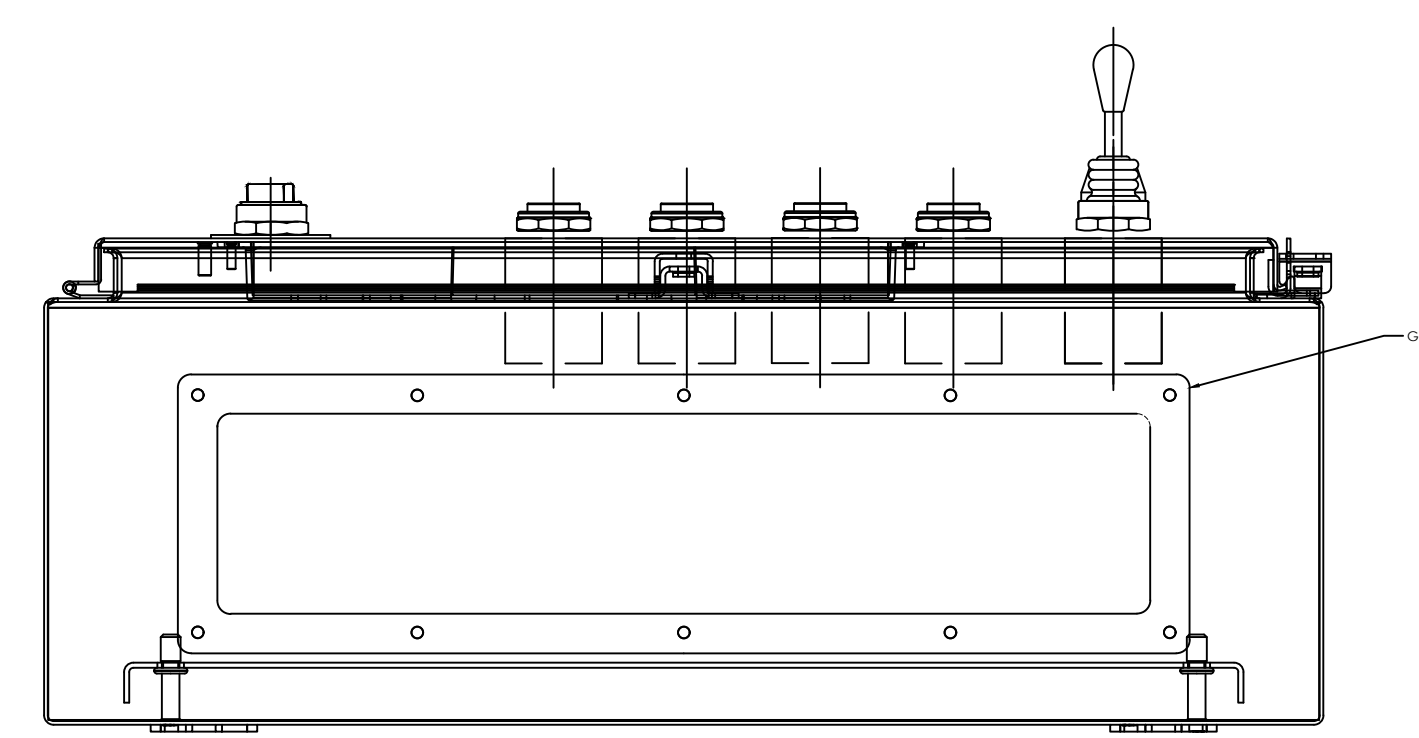
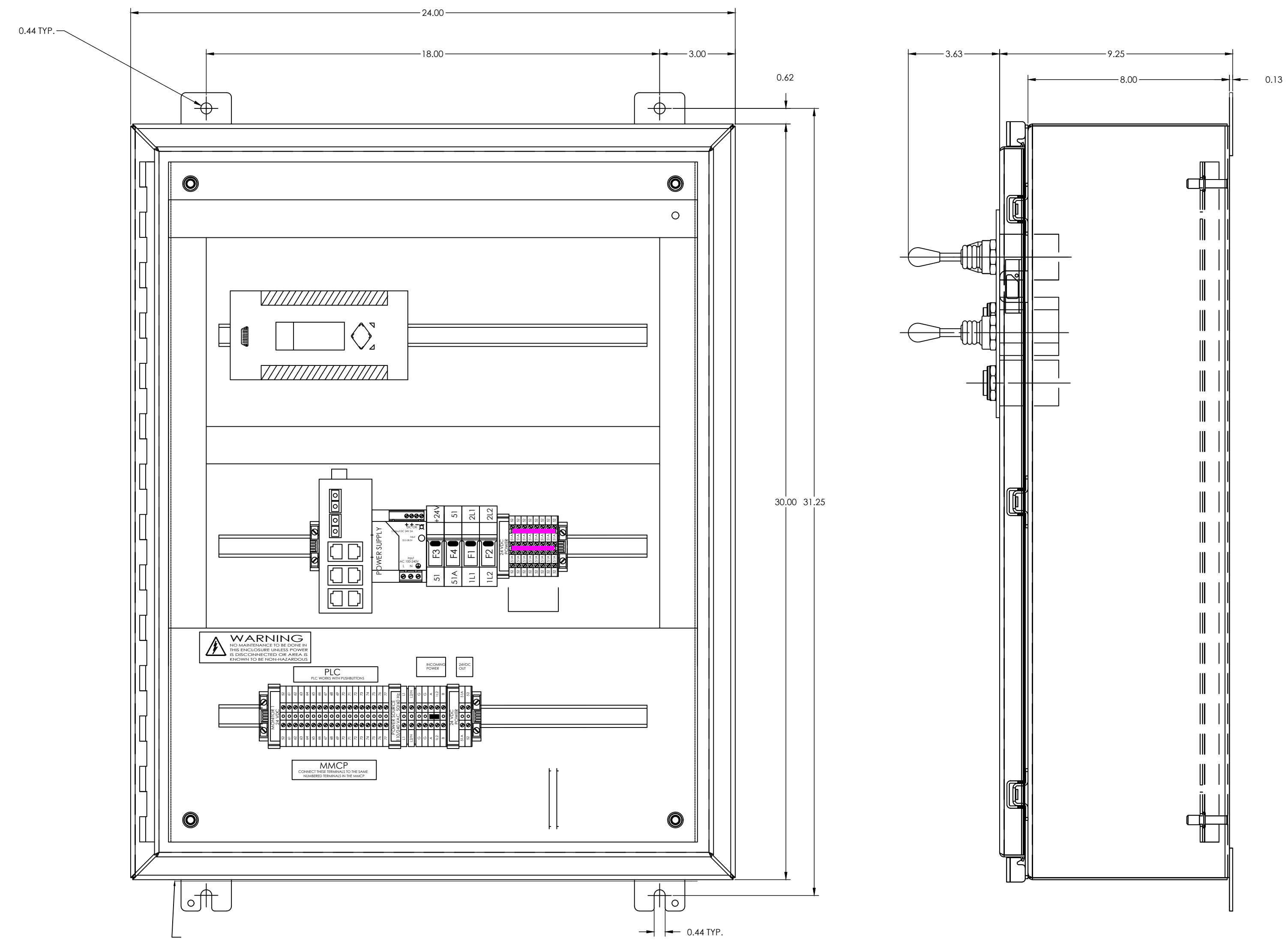
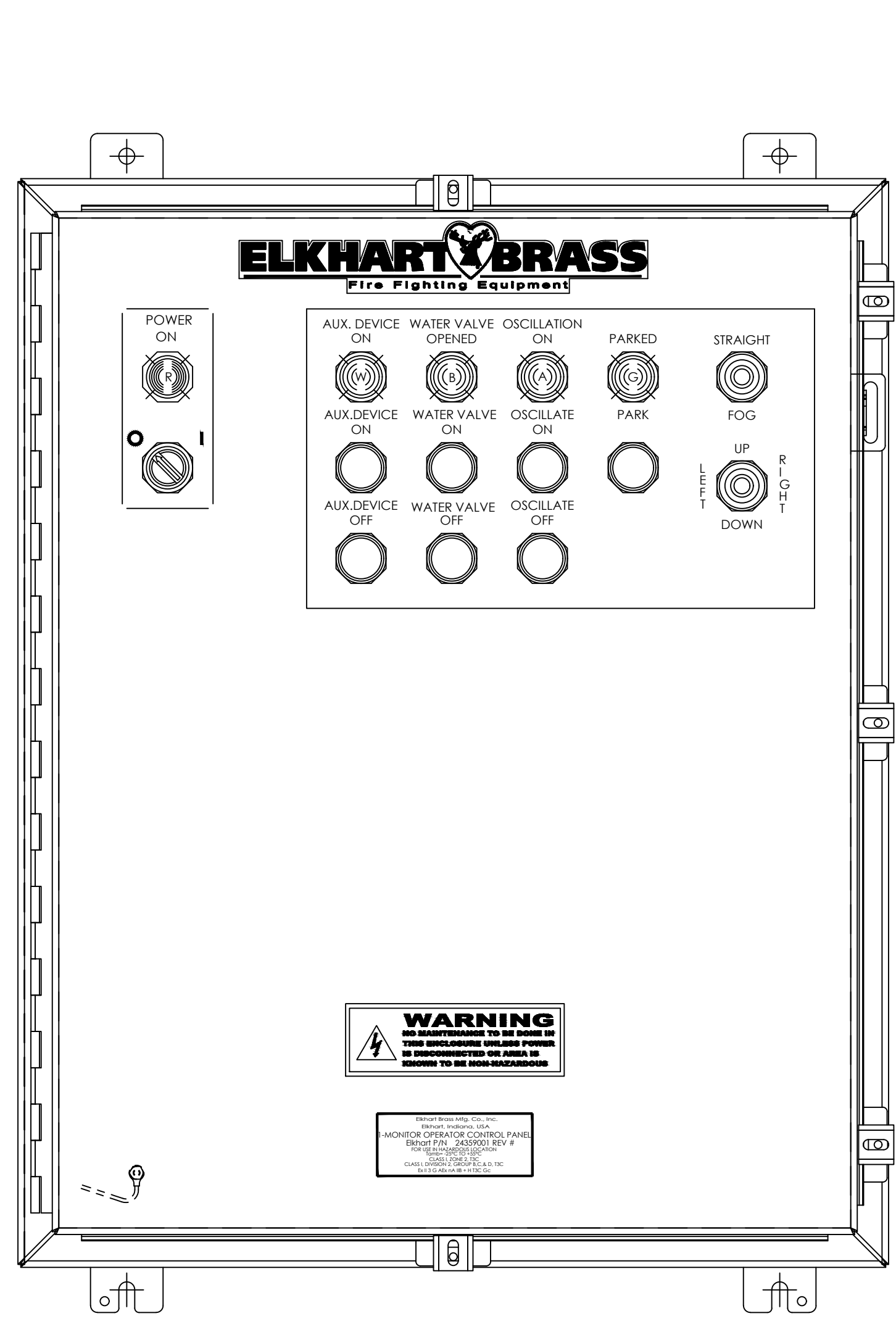


REV.	DESCRIPTION	BY	E.C.N.
1	NOTE: ADDITIONAL EQUIPMENT BLOCKS TO BE COPIED AND FILLED OUT MANUALLY. ADDED PARTITION PLATE BETWEEN L1 AND L2. ADDED ELKHART BRASS PART NUMBERS FOR 191023		

### BILL OF MATERIAL

OPERATOR CONTROL PANEL - PARTS LIST			
ELKHART BRASS P/N	DEVICE	QTY.	DESCRIPTION
52905000	POWER ON LIGHT	1	PILOT LIGHT WITH RED LENS, NEMA 4 (E.D) 12-130VDC/AC, CLASS 1, DIV-2
52905020	AUX. DEVICE ON LIGHT	1	PILOT LIGHT WITH WHITE LENS, NEMA 4 (E.D) 12-130VDC/AC, CLASS 1, DIV-2
52905010	OSCILLATE ON LIGHT	1	PILOT LIGHT WITH AMBER LENS, NEMA 4 (E.D) 12-130VDC/AC, CLASS 1, DIV-2
52905040	WATER VALVE OPEN LIGHT	1	PILOT LIGHT WITH BLUE LENS, NEMA 4 (E.D) 12-130VDC/AC, CLASS 1, DIV-2
52905030	MONITOR PARKED LIGHT	1	PILOT LIGHT WITH GREEN LENS, NEMA 4 (E.D) 12-130VDC/AC, CLASS 1, DIV-2
IN000181+ (2X 59079211)	SL	2	2-POSITION ON/OFF SELECTOR SWITCH NEMA 4 CLASS 1, DIV-2
IN000182+ (2X 59079211)	S2 AND S11	2	2-WAY JOYSTICK (SPRING RETURN TO CENTER) CLASS 1, DIV-2
IN000183+ (2X 59079211)	S3 AND S12	2	4-WAY JOYSTICK (SPRING RETURN TO CENTER) CLASS 1, DIV-2
IN000184+ 59079211	S4 THRU S10 AND S13 THRU S19	7	PUSH BUTTON MOMENTARY CONTACT SWITCH (BLACK) CLASS 1, DIV-2
IN000213		2	PARTITION PLATE, END BARRIER
52955000	PS1	1	DC POWER SUPPLY, 24 VDC, 4.2 AMPS, 100 WATTS 100/240 VAC INPUT
IN000024	PLC	1	MODULOX 1400 PLC - 24 VDC WITH 20 INPUTS AND 12 OUTPUTS
IN000007		25	SINGLE LAYER TERMINAL BLOCKS (600 AC/DC, 35 AMP, #26 - #32 AWG WIRE)
IN000046		8	DUAL LAYER NON-JUMPERED TERMINAL BLOCKS (600 AC/DC, 35 AMP, #26 - #10 AWG WIRE)
IN000047		2	CENTER JUMPER 10-POLE (CUT TO SIZE)
IN000051		1	CENTER JUMPER 2-POLE
67295000		4	GROUP TERMINAL MARKER
IN000008		2	GROUNDING TERMINAL BLOCK (NEMA 4-10 D AWG WIRE)
IN000009		3	END BARRIER FOR 1492-1/4" TERMINALS
67293000		1	END BARRIER FOR 1492-1/4" TERMINALS
IN000066		4	TERMINAL END CLAMP
IN000017	AS SHOWN		MOUNTING RAIL
IN000053	AS SHOWN		MOUNTING RAIL - HIGH RISE
IN000067	F1, F2, F3, AND F4	4	CLASS C FUSE HOLDER, 1 POLE
59079130	F1, F2, AND F3	3	CLASS C, TIME DELAY, CURRENT LIMITING 3 AMP FUSE
52323150	F4	1	CLASS C, TIME DELAY, CURRENT LIMITING 5 AMP FUSE
	WIRE DUCT	AS SHOWN	WHITE SLOTTED WIRE DUCT 1.75 x 1.12"
	WIRE DUCT COVER	AS SHOWN	WHITE COVER
IN000021	ENCLOSURE	1	30x24x8" WALL MOUNT ENCLOSURE #16 STAINLESS STEEL, NEMA 4X OR EQUIVALENT
52878000	MOUNTING PANEL	1	PANEL FOR 30 x 24" ENCLOSURE PAINTED STEEL OR EQUIVALENT
65761000	FS4	1	ETHERNET MANAGED SWITCH, 24 VDC, MULTIMODE SC CONNECTORS, 8 PORTS, CLASS 1 DIVN. 2 OR EQUIVALENT
IN000016		1	CAT5E ETHERNET CABLE OR EQUIVALENT
44492000		1	WARNING LABEL - INSIDE PANEL OR EQUIVALENT
44547000		1	WARNING LABEL - OUTSIDE PANEL OR EQUIVALENT
44547000		1	ELKHART BRASS LOGO LABEL
24359001 GP INCLUDES ABOVE AND OPTIONAL GLAND PLATE SHOWN BELOW			
IN000091	GP	1	GLAND PLATE (OR EQUIVALENT)

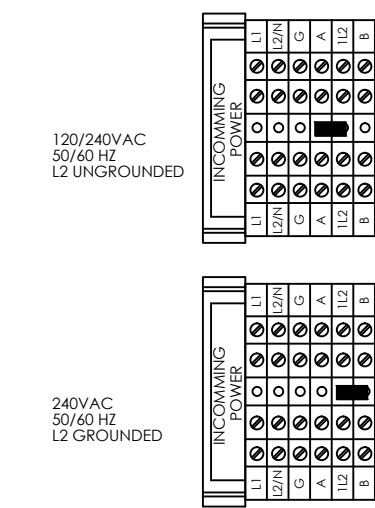
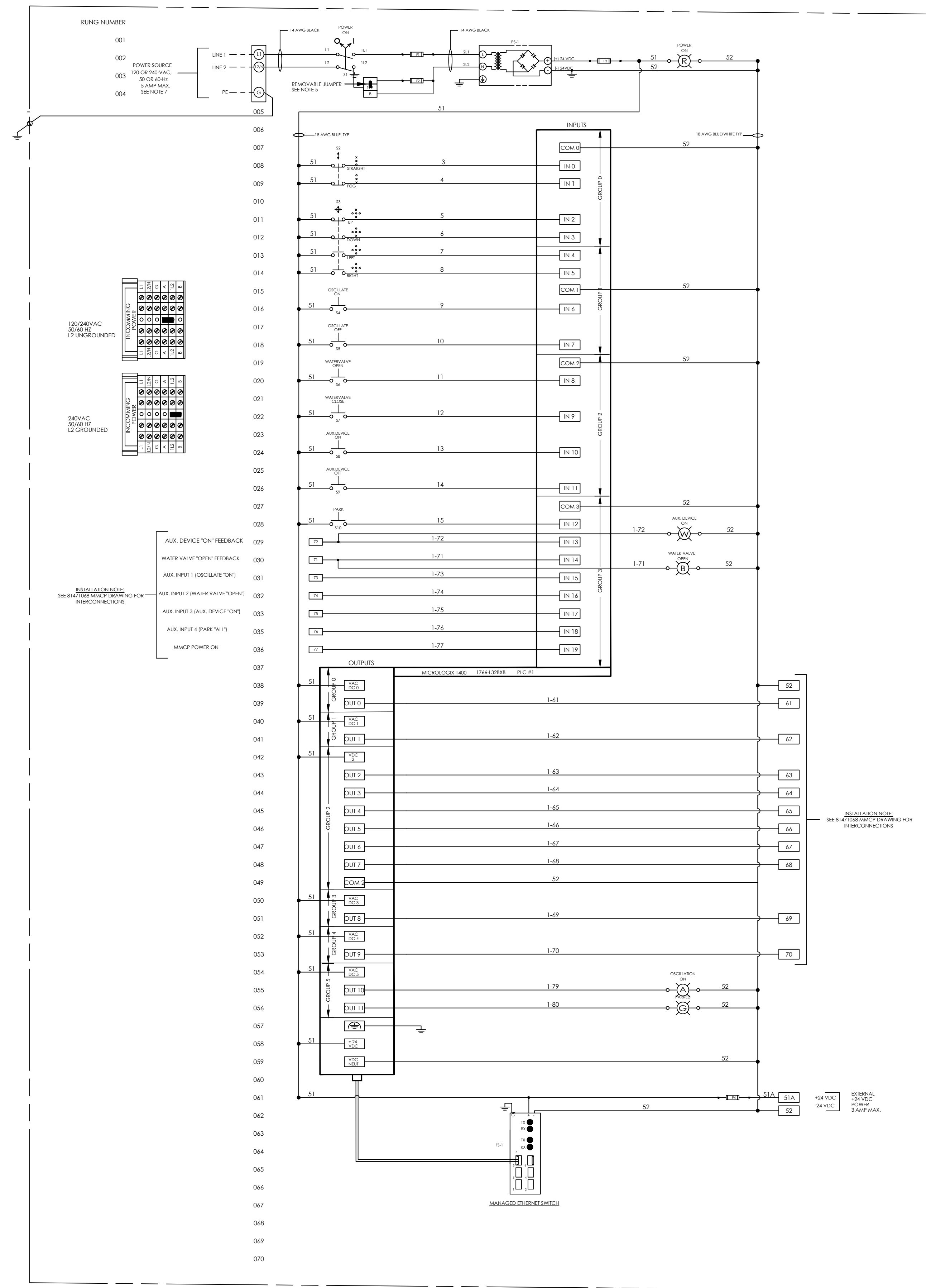
- NOTES:
- (1) NEMA 4X / 316 S.S. (IP-66) ENCLOSURE.
  - (2) NO CONDUIT HUBS/GLANDS, AND KNOCK OUTS ARE PROVIDED IN THIS ENCLOSURE.
  - (2a) ADD SUFFIX "GP" TO THE PANEL PART NUMBER TO SELECT THE GLAND PLATE OPTION. EXAMPLE: 24359001GP
  - (3) APPROXIMATE WEIGHT = 100 LBS.
  - (4) OPERATOR CONTROL PANEL TO BE UL LABELED PER UL1203, ISA 12.12.01 FOR USE IN CLASS 1 (GROUP B, C, AND D), DIV'N-2 HAZARDOUS LOCATION.
  - (5) TERMINATE ALL WIRES THAT CONNECT TO THE PLC WITH FORK TERMINALS, 16-22AWG, #6 SCREW, .250" WIDE, TE CONNECTIVITY AMP P/N 2-322777-1 OR EQUIVALENT.
  - (6) TERMINATE ALL WIRES THAT CONNECT TO SCREW TERMINALS OF CONTACT BLOCKS AND OTHER DEVICES BY TINNING OR WITH FERRULES TO PREVENT WHISKERS AND UNRAVELING.
  - (7) INSTALLATION NOTE: THIS PANEL PROVIDES SUPPLEMENTARY PROTECTION. INSTALLER TO PROVIDE DISCONNECT AND BRANCH CIRCUIT PROTECTION. ENCLOSURE'S INTERNAL POWER SWITCH IS NOT LOCKABLE AND DOES NOT QUALIFY AS DISCONNECT.
  - (8) TERMINALS SUPPLIED ARE RATED FOR 60°C CONDUCTORS.
  - (9) PANEL INTERRUPTING RATING OF 200,000 AMPS SYMMETRICAL.
  - (10) LABEL ALL WIRES WITH WRAP AROUND WIRE LABELS, WHITE WITH BLACK TEXT. FONT SHALL BE LEGIBLE AND APPROPRIATE FOR GIVEN WIRE SIZE.
  - (11) ONLY ONE WIRE PER CONNECTION ON THE PLC. ETHERNET SWITCH, AND THE DC POWER SUPPLY. MAXIMUM OF TWO CONDUCTORS MAY BE TERMINATED IN EACH TERMINAL BLOCK, FUSE HOLDER, PUSHBUTTON, OR PILOT LIGHT CONTACT BLOCKS.
  - (12) WIRE SPECIFICATION:  
POWER (120/240VAC) 14AWG, MTW, BLACK  
24VDC (+) (POSITIVE) 18AWG, MTW, BLUE  
24VDC (-) (GROUNDED NEGATIVE) 18AWG, MTW, BLUE/WHITE  
GROUND (PE) 14AWG, MTW, GREEN  
RESISTOR WIRING SHALL BE 16 AWG 7TC 200C 600V 3071/SF-2



### CUSTOMER TERMINAL BLOCK DETAIL

ELKHART BRASS MFG. CO., INC. 1300 West Broadway Ave. Elkhart, IN 46514 USA <small>This print and all data contained hereon is the sole and exclusive property of Elkhart Brass Mfg. Co., Inc. and will not be disclosed to others without the consent of Elkhart Brass Mfg. Co., Inc. Copyright © 2013 by Elkhart Brass Mfg. Co., Inc.</small>		DRAWN BY: MSF CHECKED BY: MJM DATE: 10/22/19 DATE: 10/22/19	<b>ELKHART BRASS</b> Fire Fighting Equipment
MATERIAL: N/A	WEIGHT (LBS):	CAT. NO.: INDUSTRIAL SYSTEMS	DESCRIPTION: 1-MONITOR OPERATOR CONTROL PANEL (OCP) PANEL LAYOUT
TOLERANCE UNLESS OTHERWISE SPECIFIED: 2 PLACE DEC. ± .060" 3 PLACE DEC. ± .030"	UNLESS OTHERWISE SPECIFIED DIMENSIONS ARE IN INCHES ALL FILLETS AND ROUNDS R 0.125 DO NOT SCALE PRINT DIMENSIONS ARE IN INCHES TOLERANCES PER ASME Y14.5M 1994	REV.:	SIZE: PART NUMBER: <b>24359001, 24359001 GP</b>
ANGLES: ± 1°	CAD MODEL:	THIRD ANGLE PROJECTION	CAD SCALE: SHEET 1 OF 2

REV.	DESCRIPTION	BY	E.C.N.
1	NOTE: ADDITIONAL EQUIPMENT BLOCKS TO BE COPIED AND FILLED OUT MANUALLY. ADDED PARTITION PLATE BETWEEN L1 AND L2. ADDED ELKHART BRASS PART NUMBERS FOR S1-S19, I023		



- AUX. DEVICE 'ON' FEEDBACK
- WATER VALVE 'OPEN' FEEDBACK
- AUX. INPUT 1 (OSCILLATE 'ON')
- AUX. INPUT 2 (WATER VALVE 'OPEN')
- AUX. INPUT 3 (AUX. DEVICE 'ON')
- AUX. INPUT 4 (PARK 'ALL')
- MMCP POWER ON

INSTALLATION NOTE:  
SEE 81 AFTER MMCP DRAWING FOR  
INTERCONNECTIONS

INSTALLATION NOTE:  
SEE 81 AFTER MMCP DRAWING FOR  
INTERCONNECTIONS

<b>ELKHART BRASS</b> Fire Fighting Equipment		DRAWN BY: MSF CHECKED BY: MJM DATE: 10/22/19
MATERIAL: N/A		WEIGHT (LBS): CAT. NO.: INDUSTRIAL SYSTEMS
TOLERANCE UNLESS OTHERWISE SPECIFIED: 2 PLACE DEC. ± .060" 3 PLACE DEC. ± .030" ANGLES ± 1°		UNLESS OTHERWISE SPECIFIED DIMENSIONS ARE IN INCHES ALL FILLETS AND ROUNDS R.03A DO NOT SCALE PRINT REFER TO DIMENSIONING AND TOLERANCES PER ASME Y14.5M 1994 CAD MODEL:
DESCRIPTION: 1-MONITOR OPERATOR CONTROL PANEL (OCP) WIRING DIAGRAM		SIZE: PART NUMBER <b>24359001, 24359001</b>
CAD SCALE:		SHEET 2 OF 2