

OPERATOR CONTROL PANEL (OCP)		
MAIN POWER	L1	L2
110/120 VAC, 50/60 Hz.	LINE	NEUTRAL
220 VAC, 50 Hz.	LINE	NEUTRAL
240 VAC, 60 Hz.	LINE	LINE

REV.	DESCRIPTION (NOTE: ADDITIONAL ECN BLOCKS TO BE COPIED AND FILLED OUT MANUALLY)	BY	E. C. N.
REL	RELEASE TO PRODUCTION	BJS	150208

2-MONITOR OPERATOR CONTROL PANEL (OCP) - LOCAL
SEE DWG. #81504095-2 FOR PART NUMBER

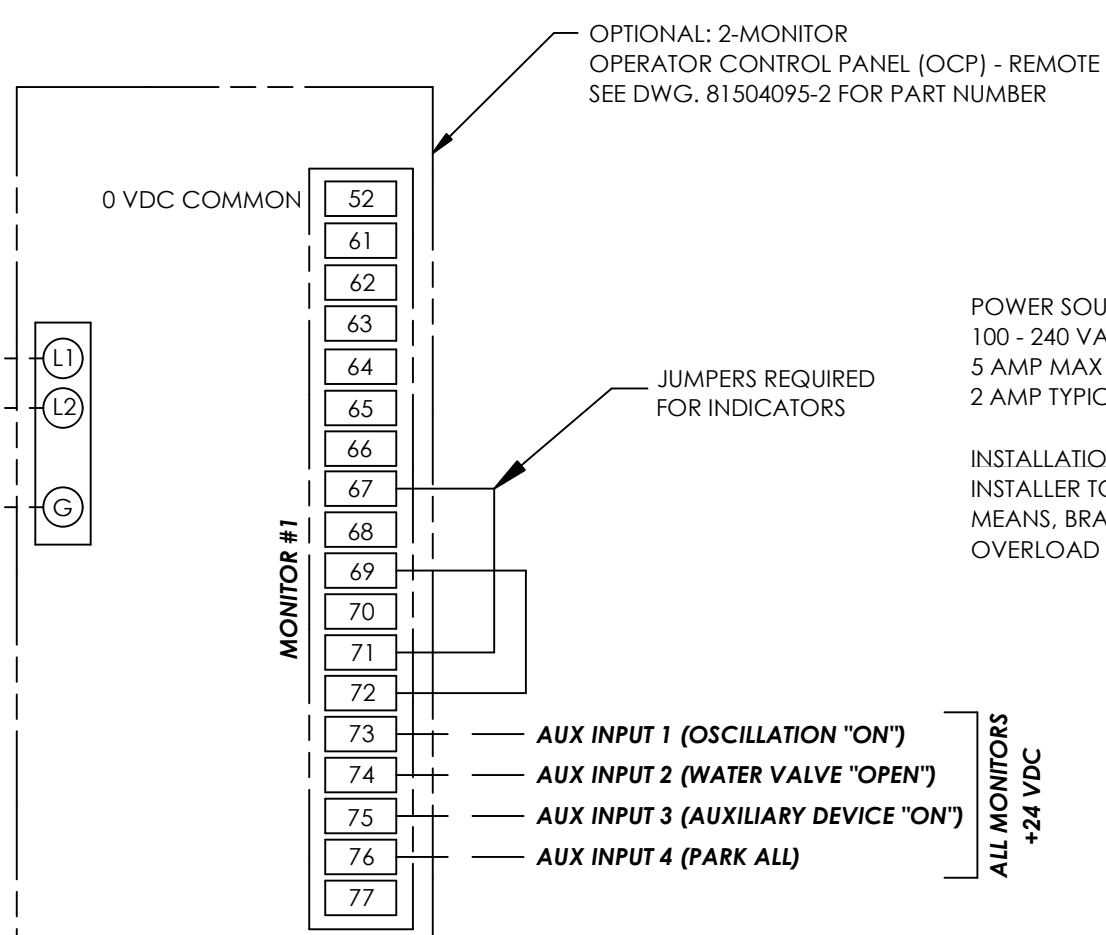
24 VDC CONTROL SIGNALS
14-CONDUCTORS MINIMUM
PLUS GROUND AND SPARES

TO MMCP
MONITOR #1

POWER SOURCE (SEE OCP CHART FOR CONNECTIONS)
100 - 240 VAC, 50/60 Hz., 1-Phase
5 AMP MAX (600 VA POWER)
2 AMP TYPICAL LOAD (240 VA POWER)

INSTALLATION NOTE:
INSTALLER TO PROVIDE DISCONNECT
MEANS, BRANCH CIRCUIT MEANS, AND
OVERLOAD PROTECTION.

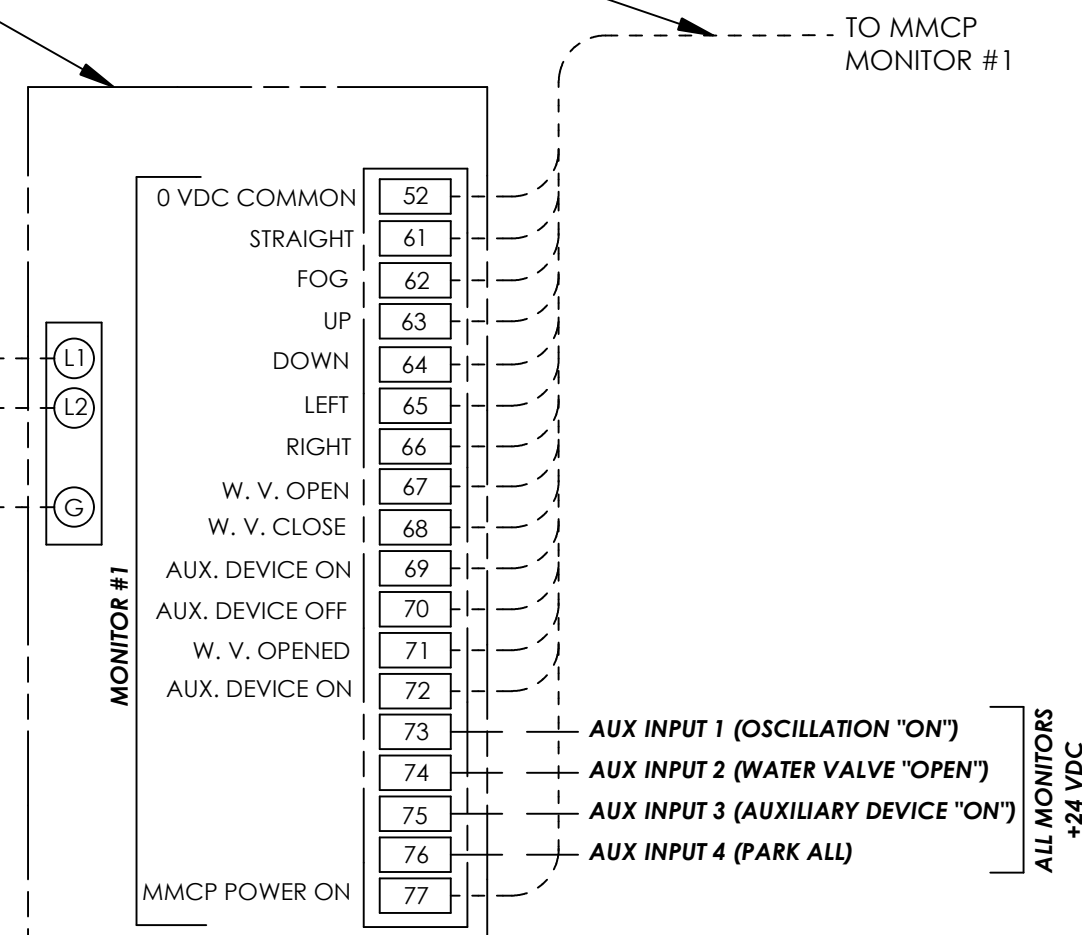
L1
L2
PE
(GND)



POWER SOURCE (SEE OCP CHART FOR CONNECTIONS)
100 - 240 VAC, 50/60 Hz., 1-Phase
5 AMP MAX (600 VA POWER)
2 AMP TYPICAL LOAD (240 VA POWER)

INSTALLATION NOTE:
INSTALLER TO PROVIDE DISCONNECT
MEANS, BRANCH CIRCUIT MEANS, AND
OVERLOAD PROTECTION.

L1
L2
PE
(GND)



AUX INPUT 1 (OSCILLATION "ON")
AUX INPUT 2 (WATER VALVE "OPEN")
AUX INPUT 3 (AUXILIARY DEVICE "ON")
AUX INPUT 4 (PARK ALL)

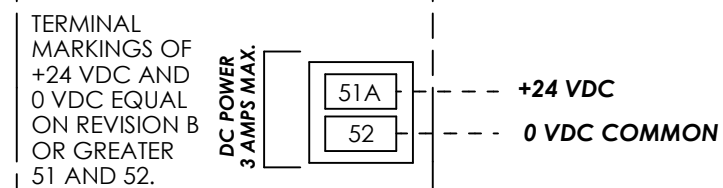
AUX INPUT 1 (OSCILLATION "ON")
AUX INPUT 2 (WATER VALVE "OPEN")
AUX INPUT 3 (AUXILIARY DEVICE "ON")
AUX INPUT 4 (PARK ALL)

DUPLEX (TX/RX) MULTIMODE FIBER
OPTIC CABLE WITH SC CONNECTORS.
SEE NETWORK CABLE LENGTH CHART
ON DWG. #81504095

FIBER OPTIC TO ADDITIONAL
OPERATOR CONTROL PANELS
TO CREATE A FIBER OPTIC
NETWORK. SEE NOTE 2.

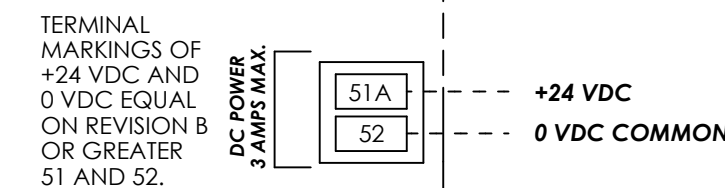
ETHERNET Cat-5e CABLE. PORTS 1-6 ON MANAGED
SWITCH ARE INTERCHANGABLE. SEE NETWORK CABLE
LENGTH CHART ON DWG. #81504095

ETHERNET CABLE TO ADDITIONAL
OPERATOR CONTROL PANELS
TO CREATE A NETWORK. SEE NOTE 2.



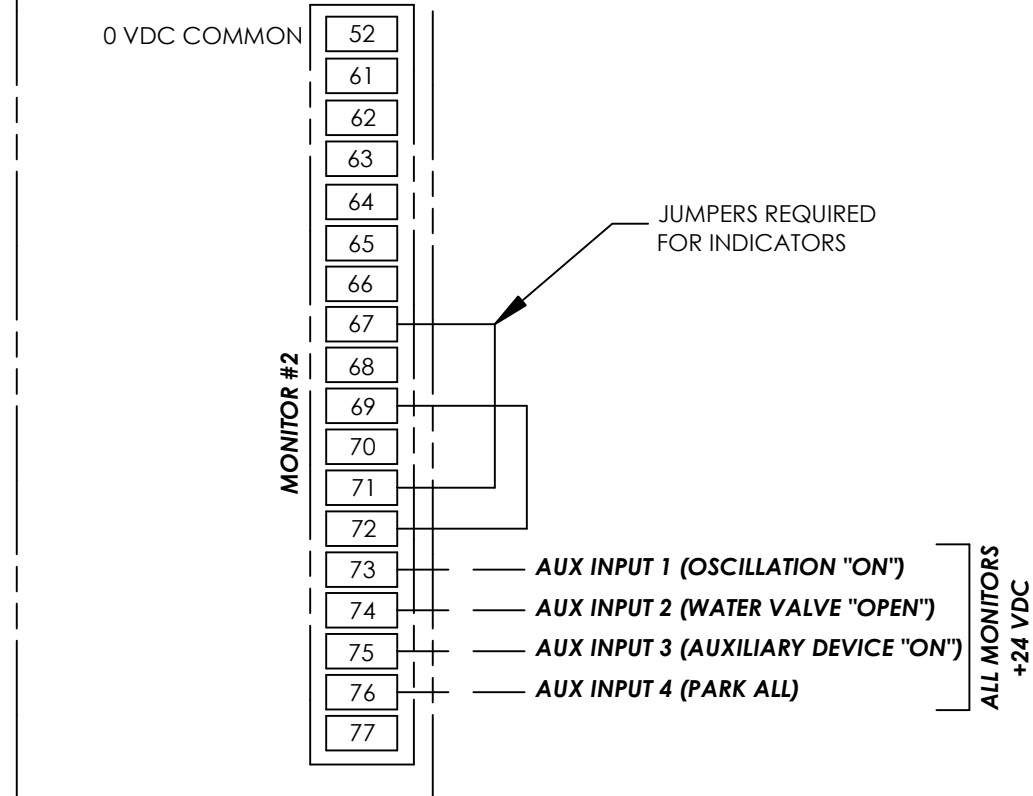
TERMINAL
MARKINGS OF
+24 VDC AND
0 VDC EQUAL
ON REVISION B
OR GREATER
51 AND 52.

DC POWER
3 AMPS MAX.



TERMINAL
MARKINGS OF
+24 VDC AND
0 VDC EQUAL
ON REVISION B
OR GREATER
51 AND 52.

DC POWER
3 AMPS MAX.



AUX INPUT 1 (OSCILLATION "ON")
AUX INPUT 2 (WATER VALVE "OPEN")
AUX INPUT 3 (AUXILIARY DEVICE "ON")
AUX INPUT 4 (PARK ALL)

AUX INPUT 1 (OSCILLATION "ON")
AUX INPUT 2 (WATER VALVE "OPEN")
AUX INPUT 3 (AUXILIARY DEVICE "ON")
AUX INPUT 4 (PARK ALL)

CONTROLS AND CONNECTIONS FOR
MONITOR #2 NOT PRESENT IN SINGLE
OCP PANEL P/N 24359001

NOTES:

- (1) FOR COMMUNICATION BETWEEN OCPs
INSTALL WITH EITHER DUPLEX MULTIMODE FIBER OPTIC
CABLE OR ETHERNET CONNECTIONS AS SHOWN.
- (2) ADDITIONAL CONTROLS TO BE DUPLICATE OF DISPLAYED
INTERCONNECTIONS.
- (3) SEE MANUAL FOR USE OF AUX INPUTS TERMINALS 73 - 76

REFERENCE DWG.
#81504095 (MULTI-MONITOR SPITFIRE SYSTEM LAYOUT)
OR CUSTOM SYSTEM LAYOUT

ELKHART BRASS MFG. CO., INC. #1302 West Beardsley Ave, Elkhart, IN 46514, USA <small>This print and all data contained here on is the sole and exclusive property of Elkhart Brass Mfg. Co., INC. and will not be disclosed to others without the consent of Elkhart Brass Mfg. Co., INC. This print must be returned to Elkhart Brass Mfg. Co., INC. Copyright © 2013 by Elkhart Brass Mfg. Co., INC.</small>		DRAWN BY BS DATE 02/18/2015	ELKHART BRASS Fire Fighting Equipment
MATERIAL N/A		CHECKED BY BS DATE 02/19/2015	
TOLERANCE UNLESS OTHERWISE SPECIFIED 2 PLACE DEC. ± .060" 3 PLACE DEC. ± .030" ANGLES ± 1°		WEIGHT (LBS) N/A	CAT. NO. INDUSTRIAL SYSTEMS
UNLESS OTHERWISE SPECIFIED DIMENSIONS ARE IN INCHES ALL FILLETS AND ROUNDS R 0.06 DO NOT SCALE PRINT INTERPRET DIMENSIONS AND TOLERANCES PER ASME Y14.5M 1994 CAD MODEL:		SIZE C	PART NUMBER 30231031S2 REV. REL
THIRD ANGLE PROJECTION		CAD SCALE:	SHEET 2 OF 9