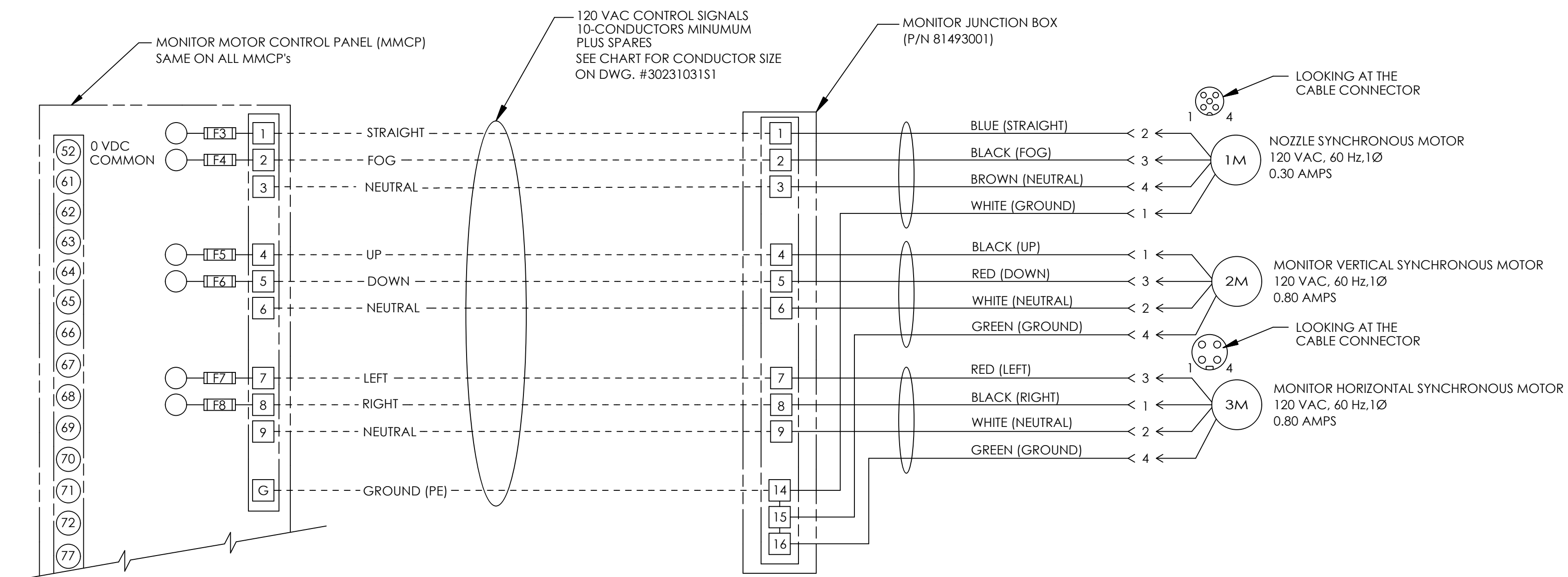


REV.	DESCRIPTION	BY	E. C. N.
REL	(NOTE: ADDITIONAL ECN BLOCKS TO BE COPIED AND FILLED OUT MANUALLY) RELEASE TO PRODUCTION	BJS	150208



REFERENCE DWG. #81504095 (MULTI-MONITOR SPITFIRE SYSTEM LAYOUT)  
OR CUSTOM SYSTEM LAYOUT.

<b>ELKHART BRASS MFG. CO., INC.</b> #1302 West Beardsley Ave, Elkhart, IN 46514, USA <small>This print and all data contained here on is the sole and exclusive property of Elkhart Brass Mfg. Co., INC. and will not be disclosed to others without the consent of Elkhart Brass Mfg. Co., INC. This print must be returned to Elkhart Brass Mfg. Co., INC. Copyright © 2013 by Elkhart Brass Mfg. Co., INC.</small>		DRAWN BY BS CHECKED BY BS DATE 02/18/2015 DATE 02/18/2015	<b>ELKHART BRASS</b> <b>Fire Fighting Equipment</b>			
MATERIAL N/A		WEIGHT (LBS) N/A	DESCRIPTION MONITOR & NOZZLE TO MMCP ELECTRICAL INTERCONNECT DRAWING			
TOLERANCE UNLESS OTHERWISE SPECIFIED 2 PLACE DEC. ± .060" 3 PLACE DEC. ± .030" ANGLES ± 1°		UNLESS OTHERWISE SPECIFIED DIMENSIONS ARE IN INCHES ALL FILLETS AND ROUNDS R 0.06 DO NOT SCALE PRINT INTERPRET DIMENSIONS AND TOLERANCES PER ASME Y14.5M 1994 CAD MODEL:	CAT. NO. INDUSTRIAL SYSTEM	SIZE C	PART NUMBER 30231031S3	REV. REL
			CAD SCALE: NONE SHEET 3 OF 9			