

REV.	DESCRIPTION (NOTE: ADDITIONAL ECN BLOCKS TO BE COPIED AND FILLED OUT MANUALLY)	BY	E. C. N.
C	CHANGED 440/480 NOTE	MSF	01FEB17

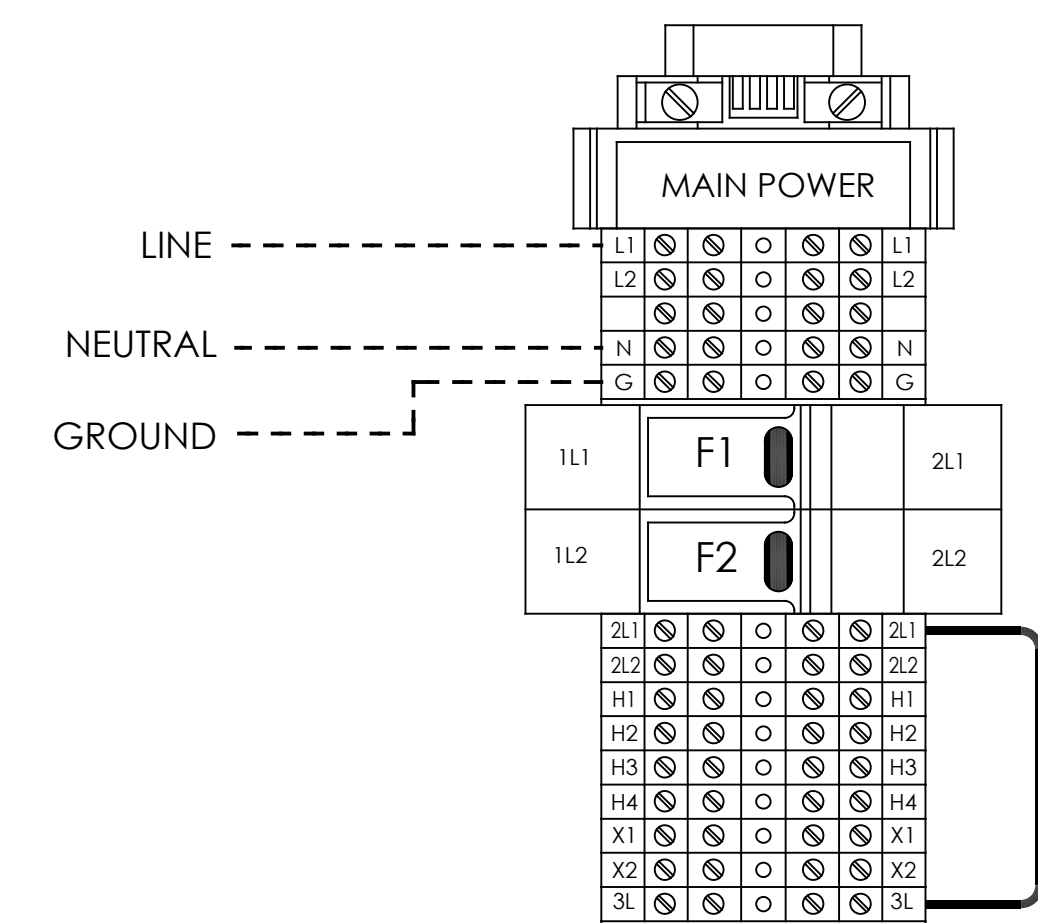


FIGURE 1
MMCP MAIN POWER
110 / 120 VAC, 50/60 Hz., SINGLE PHASE

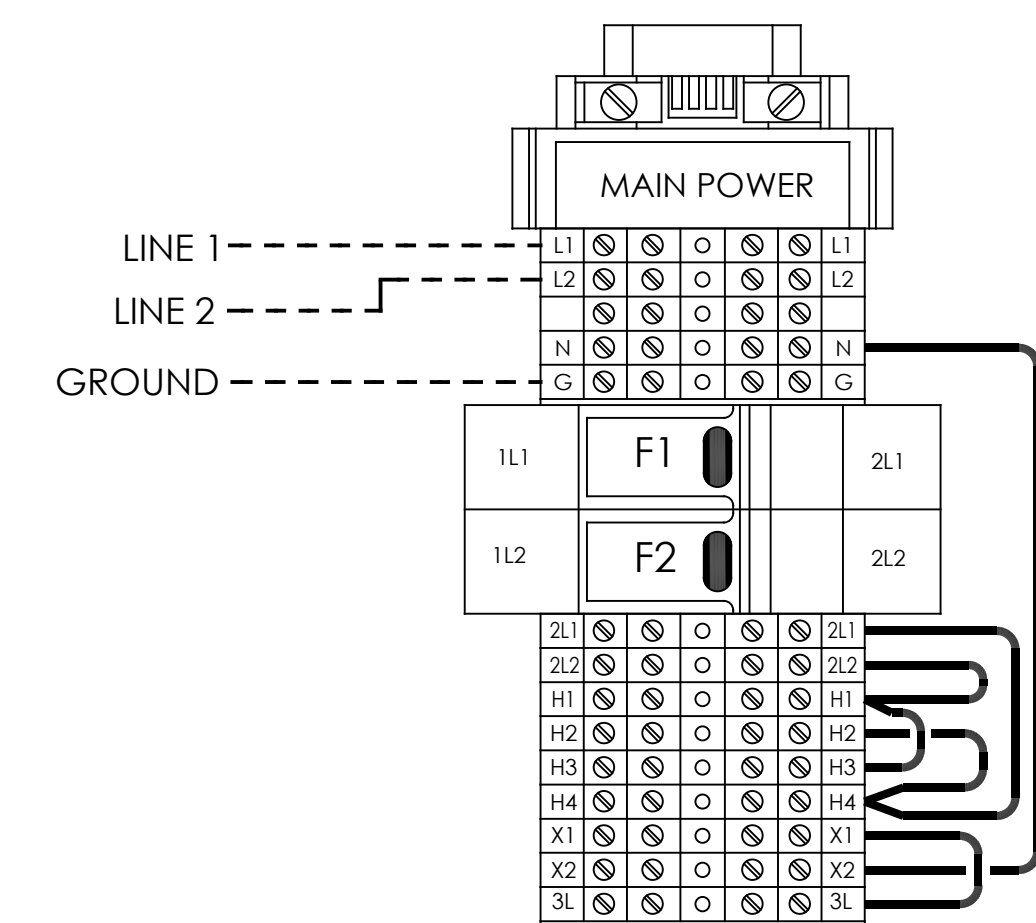


FIGURE 2
MMCP MAIN POWER
220 /240 VAC, 60 Hz., SINGLE PHASE

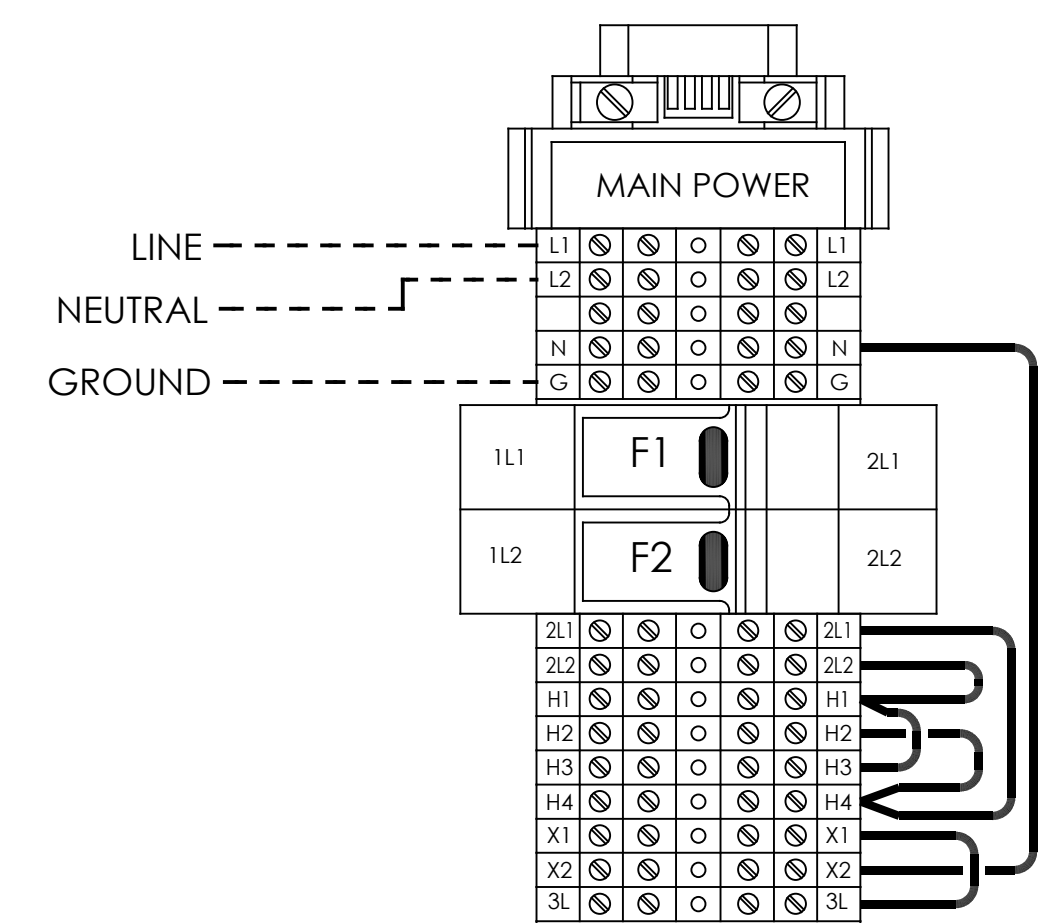


FIGURE 3
MMCP MAIN POWER
220 /240 VAC, 50 Hz., SINGLE PHASE

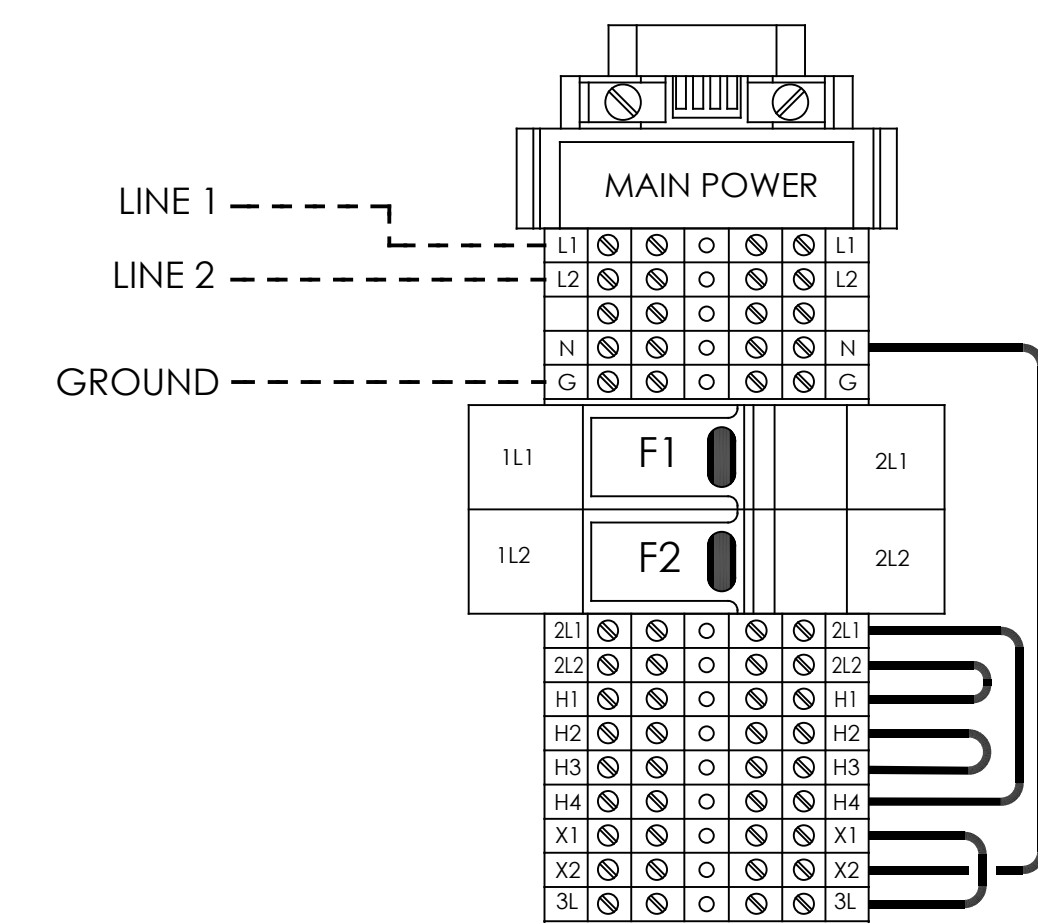


FIGURE 4
MMCP MAIN POWER
440 /480 VAC, 60 Hz., SINGLE PHASE

NOTE: FOR REFERENCE ONLY. NOT ALL CONFIGURATIONS WILL BE USED. SELECT APPROPRIATE CONFIGURATION FOR EACH APPLICATION.

————— PANEL JUMPERS
----- FIELD WIRING

STANDARD DRAWING NOT FOR APPROVAL

ELKHART BRASS MFG. CO., INC. <small>#1302 West Beardstey Ave, Elkhart, IN 46514, USA This print and all data contained here on is the sole and exclusive property of Elkhart Brass Mfg. Co., INC., and will not be disclosed to others without the consent of Elkhart Brass Mfg. Co., INC. This print must be returned to Elkhart Brass Mfg. Co., INC. Copyright © 2013 by Elkhart Brass Mfg. Co., INC.</small>		DRAWN BY MSF DATE 02/18/2015	ELKHART BRASS Fire Fighting Equipment
MATERIAL N/A		CHECKED BY MSF DATE 02/01/2017	
TOLERANCE UNLESS OTHERWISE SPECIFIED 2 PLACE DEC. ± .060" 3 PLACE DEC. ± .030" ANGLES ± 1°		WEIGHT (LBS) N/A CAT. NO. INDUSTRIAL SYSTEMS	DESCRIPTION MMCP POWER SOURCE CONNECTIONS ELECTRICAL INTERCONNECT DRAWING
UNLESS OTHERWISE SPECIFIED DIMENSIONS ARE IN INCHES ALL FILLETS AND ROUNDS R 0.06 DO NOT SCALE PRINT INTERPRET DIMENSIONS AND TOLERANCES PER ASME Y14.5M, 1994 CAD MODEL:		SIZE C	PART NUMBER 30231031S9 SHEET 9 OF 9
CAD SCALE: NONE		THIRD ANGLE PROJECTION	REV. C