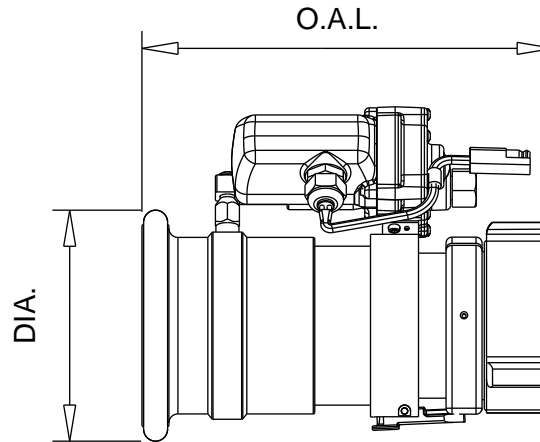
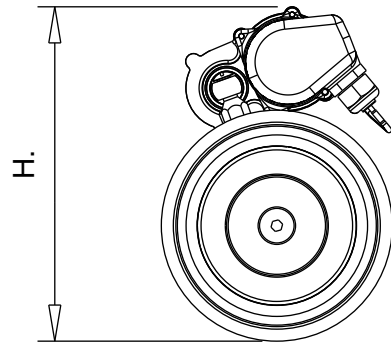




6000-200E



6000-700E

 <b>ELKHART BRASS MFG. CO., INC.</b> ELKHART, INDIANA	
<small>THIS DRAWING CONTAINS INFORMATION THAT IS PROPRIETARY TO ELKHART BRASS MFG. CO., INC. AND MAY NOT BE USED TO PRODUCE ANY PARTS, ASSEMBLIES OR PRODUCTS DESCRIBED HEREIN WITHOUT EXPRESS WRITTEN PERMISSION.</small>	
<small>6000 SERIES PAGE 1 OF 2 11/2009</small>	<small>DIMENSIONAL DRAWING</small>

MODEL	BASE SIZE	TYPE	OVERALL LENGTH (O.A.L.)		DIA.	WIDTH (W.)	HEIGHT (H.)	WEIGHT (LBS.)
			MAX (S.S.)	MIN (FOG)				
6000-200E	2.50	ELECTRIC	8.51	7.90	4.14	5.71	5.71	4.7
6000-700E	2.50	ELECTRIC	8.57	7.63	4.81	6.97	6.97	5.8

	ELKHART BRASS MFG. CO., INC. ELKHART, INDIANA	
	THIS DRAWING CONTAINS INFORMATION THAT IS PROPRIETARY TO ELKHART BRASS MFG. CO., INC. AND MAY NOT BE USED TO PRODUCE ANY PARTS, ASSEMBLIES OR PRODUCTS DESCRIBED HEREIN WITHOUT EXPRESS WRITTEN PERMISSION.	
6000 SERIES PAGE 2 OF 2 11/2009	DIMENSIONAL DRAWING	