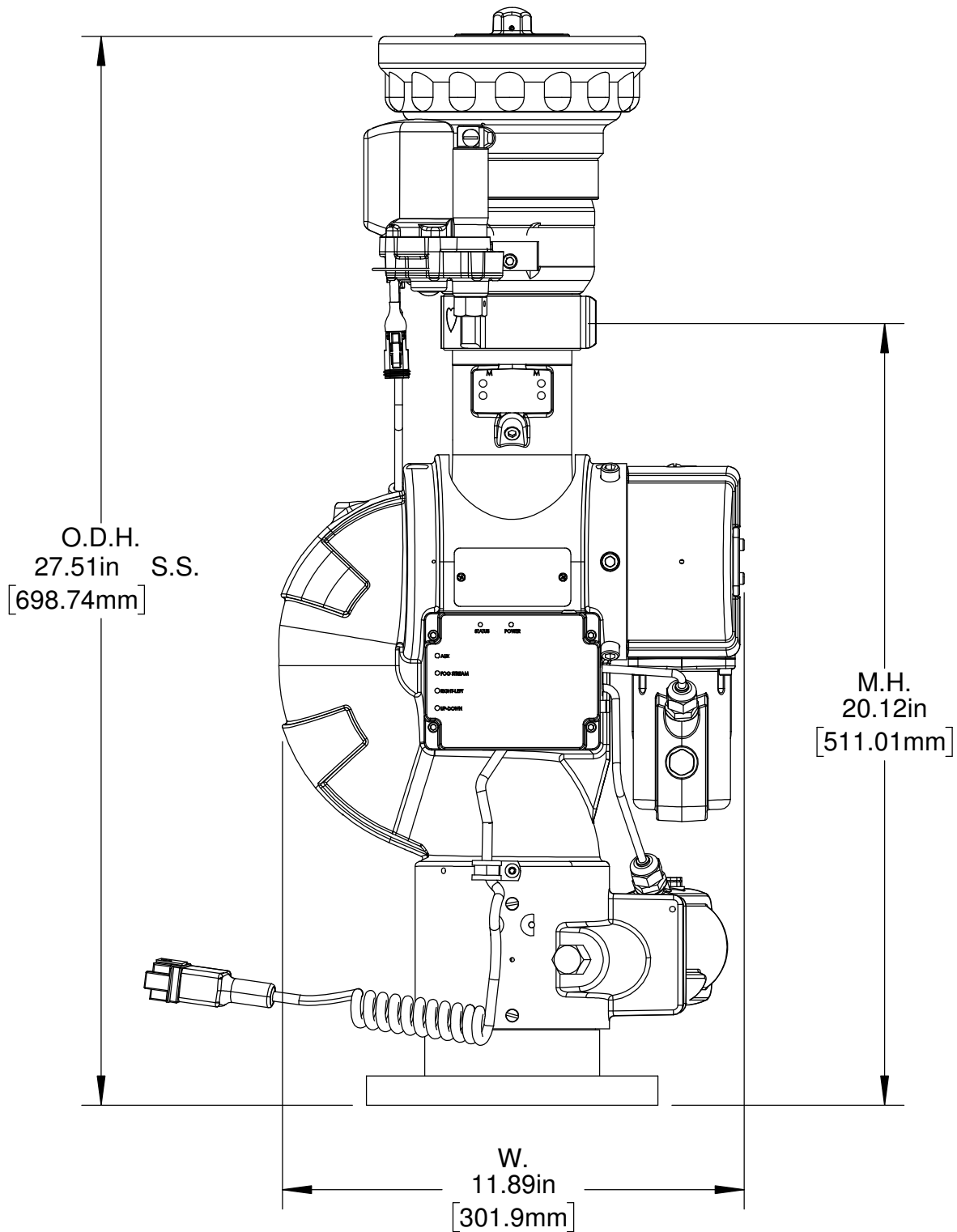


THIS DRAWING CONTAINS INFORMATION THAT IS
 PROPRIETARY TO ELKHART BRASS MFG CO., INC.
 AND MAY NOT BE USED TO PRODUCE ANY PARTS,
 ASSEMBLIES OR PRODUCTS DESCRIBED HEREIN
 WITHOUT EXPRESS WRITTEN PERMISSION

7200SDX2 PARTS 02007201
 PAGE 1 OF 5
 05/23/2019

BASE
 DIMENSIONAL



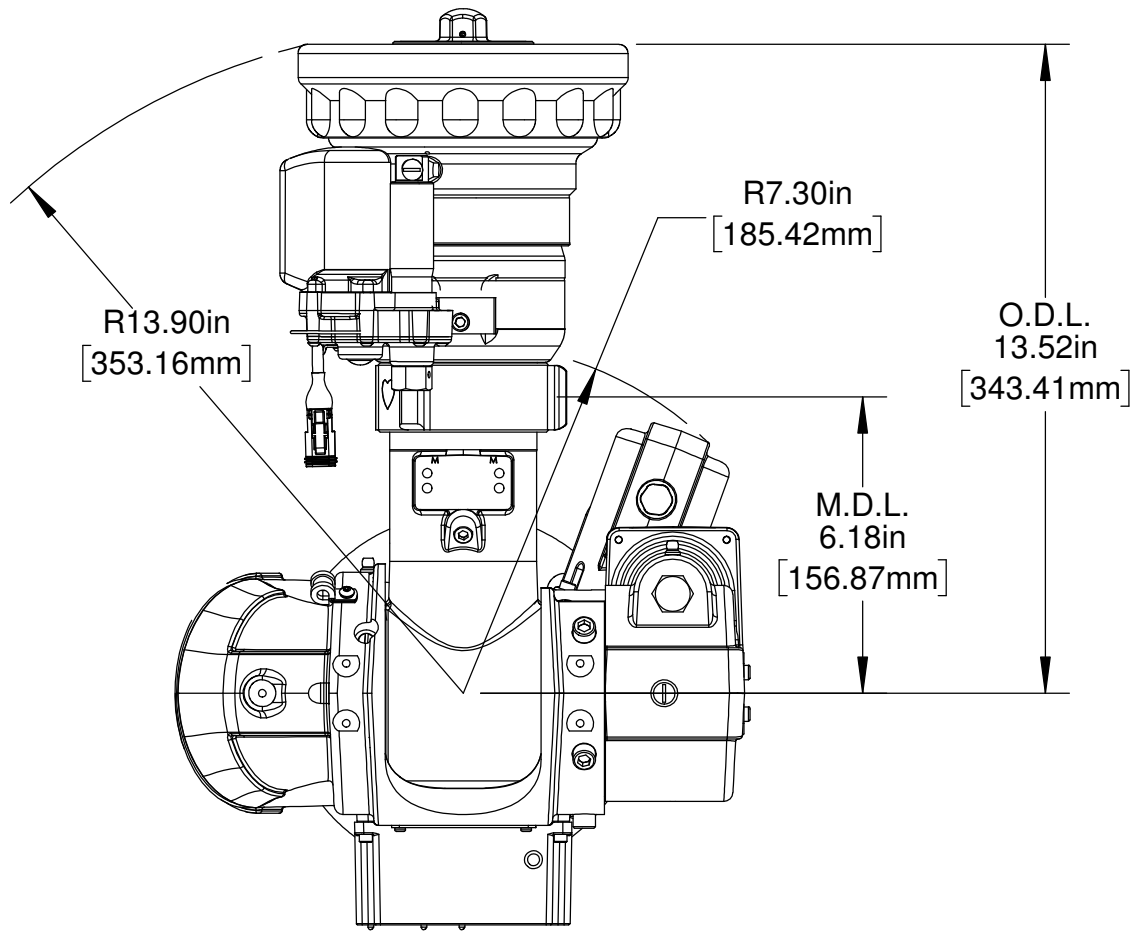
DIMENSIONAL ABBREVIATION KEY	
ABBREVIATION	DESCRIPTION
W.	Width
O.D.H.	Overall Discharge Height
M.D.H.	Monitor Discharge Height
S.S.	Straight Stream

ELKHART BRASS
Fire Fighting Equipment

THIS DRAWING CONTAINS INFORMATION THAT IS PROPRIETARY TO ELKHART BRASS MFG CO., INC. AND MAY NOT BE USED TO PRODUCE ANY PARTS, ASSEMBLIES OR PRODUCTS DESCRIBED HEREIN WITHOUT EXPRESS WRITTEN PERMISSION

7200SDX2 PARTS 02007201
PAGE 2 OF 5
05/23/2019

BACK VIEW
DIMENSIONAL



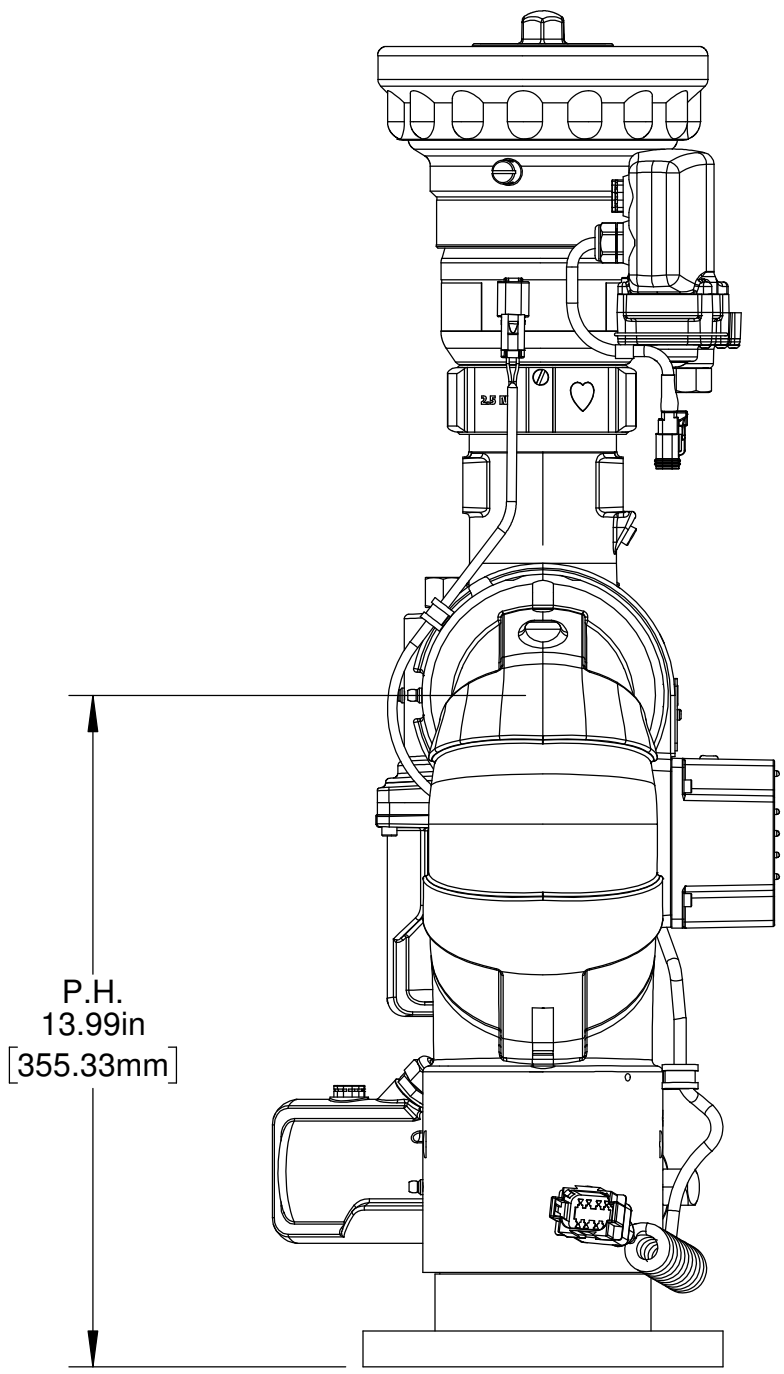
DIMENSIONAL ABBREVIATION KEY	
ABBREVIATION	DESCRIPTION
O.D.L.	Overall Discharge Length
M.D.L.	Monitor Discharge Length
S.S.	Straight Stream



THIS DRAWING CONTAINS INFORMATION THAT IS PROPRIETARY TO ELKHART BRASS MFG CO., INC. AND MAY NOT BE USED TO PRODUCE ANY PARTS, ASSEMBLIES OR PRODUCTS DESCRIBED HEREIN WITHOUT EXPRESS WRITTEN PERMISSION

7200SDX2 PARTS 02007201
PAGE 3 OF 5
05/23/2019

TOP VIEW
DIMENSIONAL



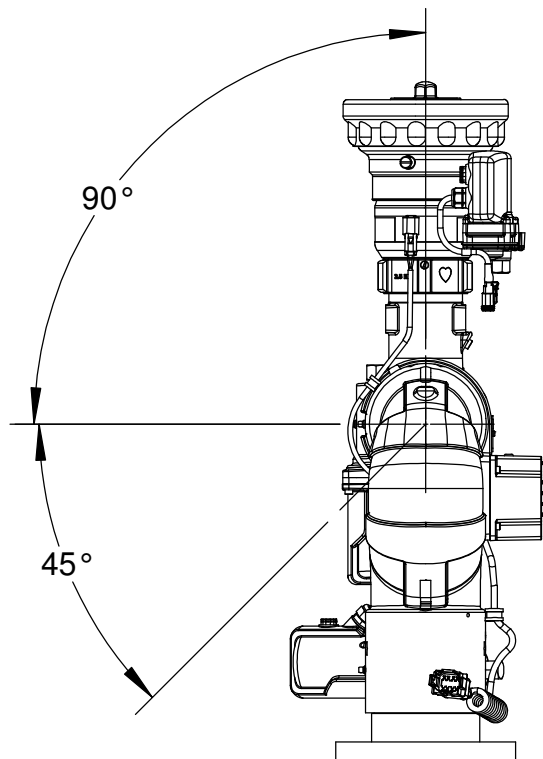
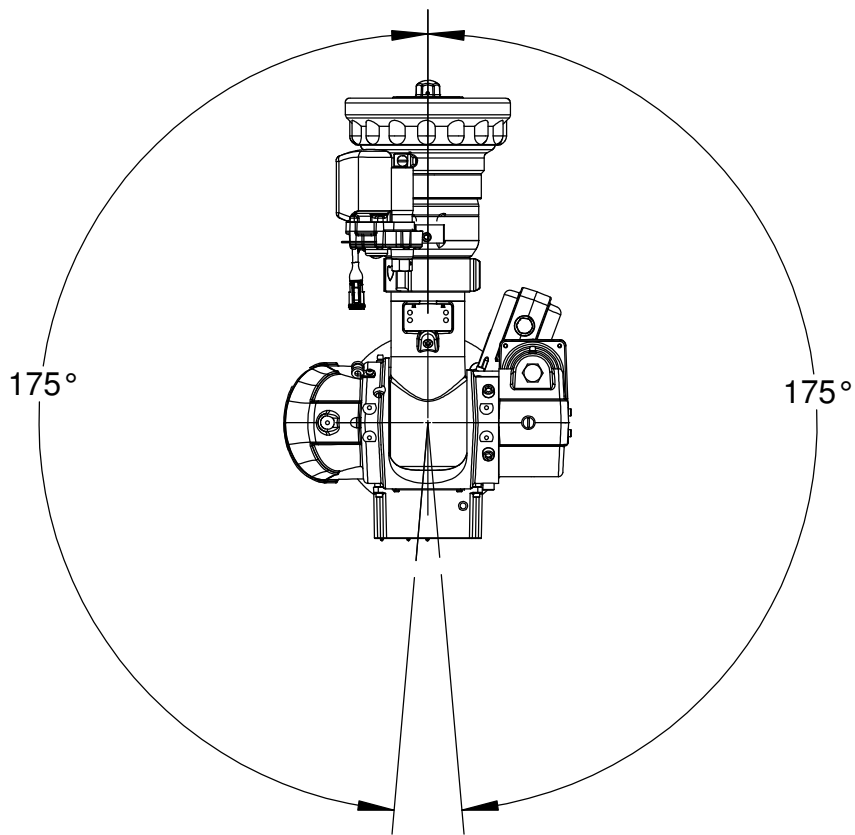
DIMENSIONAL ABBREVIATION KEY	
ABBREVIATION	DESCRIPTION
P.H.	Pivot Height
S.D.H.	Stow Down Height




THIS DRAWING CONTAINS INFORMATION THAT IS PROPRIETARY TO ELKHART BRASS MFG CO., INC. AND MAY NOT BE USED TO PRODUCE ANY PARTS, ASSEMBLIES OR PRODUCTS DESCRIBED HEREIN WITHOUT EXPRESS WRITTEN PERMISSION

7200SDX2 PARTS 02007201
PAGE 4 OF 5
05/23/2019

SIDE VIEW
DIMENSIONAL



 ELKHART BRASS Fire Fighting Equipment	
<small>THIS DRAWING CONTAINS INFORMATION THAT IS PROPRIETARY TO ELKHART BRASS MFG CO., INC. AND MAY NOT BE USED TO PRODUCE ANY PARTS, ASSEMBLIES OR PRODUCTS DESCRIBED HEREIN WITHOUT EXPRESS WRITTEN PERMISSION</small>	
7200SDX2 PARTS 02007201 PAGE 5 OF 5 05/23/2019	RANGE OF MOTION