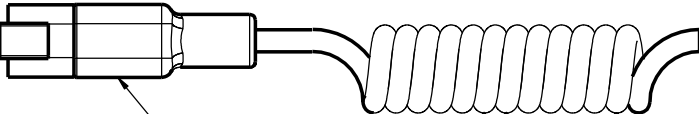


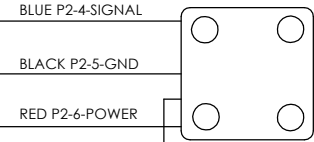
TO CIRCUIT BOARD P2				
POSITION	WIRE SIZE	COLOR	FUNCTION	
1	PLUG			
2	PLUG			
3	PLUG			
4	18 AWG	BLUE	P2-4-SIGNAL	
5	18 AWG	BLACK	P2-5-GND	
6	18 AWG	RED	P2-6-POWER	
7	18 AWG	RED	P2-7-POWER	
8	18 AWG	BLACK	P2-8-GND	
9	18 AWG	BLUE	P2-9-SIGNAL	
10	PLUG			
11	PLUG			
12	PLUG			



GREEN CONNECTOR TO CIRCUIT BOARD SOCKET P2

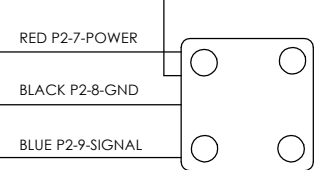
24181200 DEUTSCH WEDGE LOCK #W12S-PO12

24192000



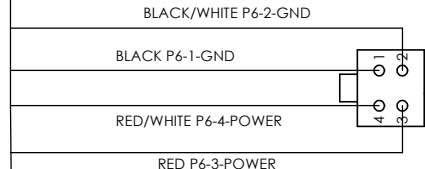
65850000 SENSOR - ROTARY POSI. RFA4001 (TO HORIZONTAL MOTOR)

CONNECT SHIELD WIRES TO BOSS ON P/N 18280001 WITH WASHER, LOCK WASHER, AND SCREW



65850000 SENSOR - ROTARY POSI. RFA4001 (TO VERTICAL MOTOR)

CIRCUIT BOARD POWER				
POSITION	WIRE SIZE	COLOR	FUNCTION	
1	14 AWG	BLACK	GND	
2	14 AWG	BLACK/WHITE	GND	
3	14 AWG	RED	+ TRUCK POWER	
4	14 AWG	RED/WHITE	+ TRUCK POWER	

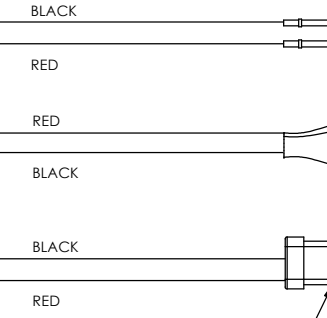
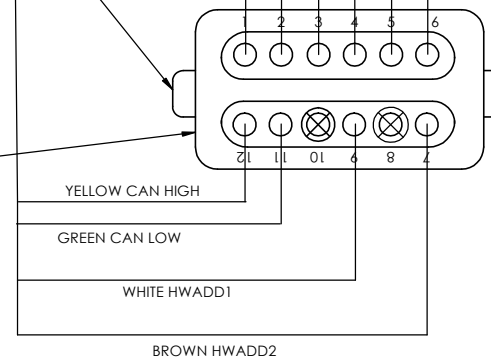


CONNECTOR TO CIRCUIT BOARD SOCKET P6

POWER / CAN IN				
POSITION	WIRE SIZE	COLOR	FUNCTION	
1	14 AWG	RED	TRUCK POWER	
2	14 AWG	RED/WHITE	TRUCK POWER	
3	20 AWG	YELLOW	CAN HIGH	
4	20 AWG	WHITE	HWADDR1	
5	20 AWG	BROWN	HWADDR2	
6	20 AWG	GREEN	CAN LOW	
7	14 AWG	BLACK	GROUND	
8	14 AWG	BLACK/WHITE	GROUND	

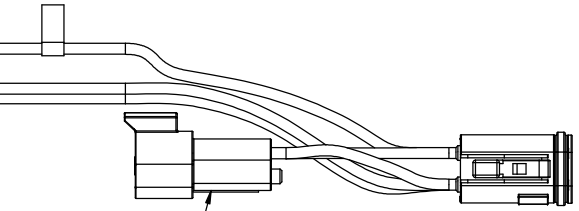
TO CIRCUIT BOARD P1				
POSITION	WIRE SIZE	COLOR	FUNCTION	
1	18 AWG	BLACK	P1-1-DOWN	
2	18 AWG	RED	P1-2-UP	
3	18 AWG	BLACK	P1-3-STREAM	
4	18 AWG	RED	P1-4-FOG	
5	18 AWG	BLACK	P1-5-LEFT	
6	18 AWG	RED	P1-6-RIGHT	
7	20 AWG	BROWN	STOW/HWADDR2	
8	PLUG		LIGHT	
9	20 AWG	WHITE	HWADDR1	
10	PLUG		LIGHT GND	
11	20 AWG	GREEN	CAN LOW	
12	20 AWG	YELLOW	CAN HIGH	

GRAY CONNECTOR TO CIRCUIT BOARD SOCKET P1



37565000

PIN NUMBER	WIRE COLOR
1	BLACK
2	RED



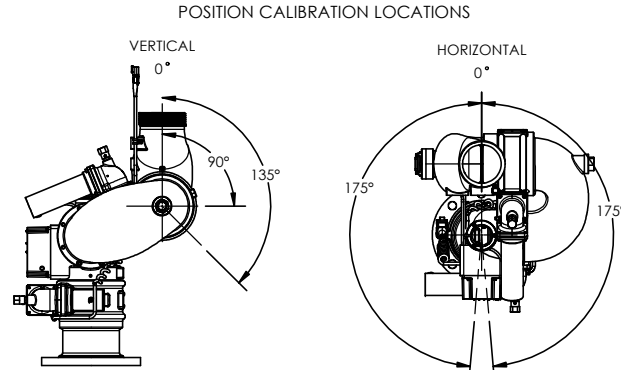
37550000 MONITOR PIGTAIL HARNESS (SHIP LOOSE)

37038100 POWER/CAN HARNESS

SECURE NOZZLE AND SENSOR WIRES WITH CLAMP LOOPS AS SHOWN

ROUTE SENSOR WIRE AS SHOWN, LEAVE ENOUGH SLACK IN WIRE TO ALLOW DISCHARGE TO TRAVEL ITS FULL RANGE

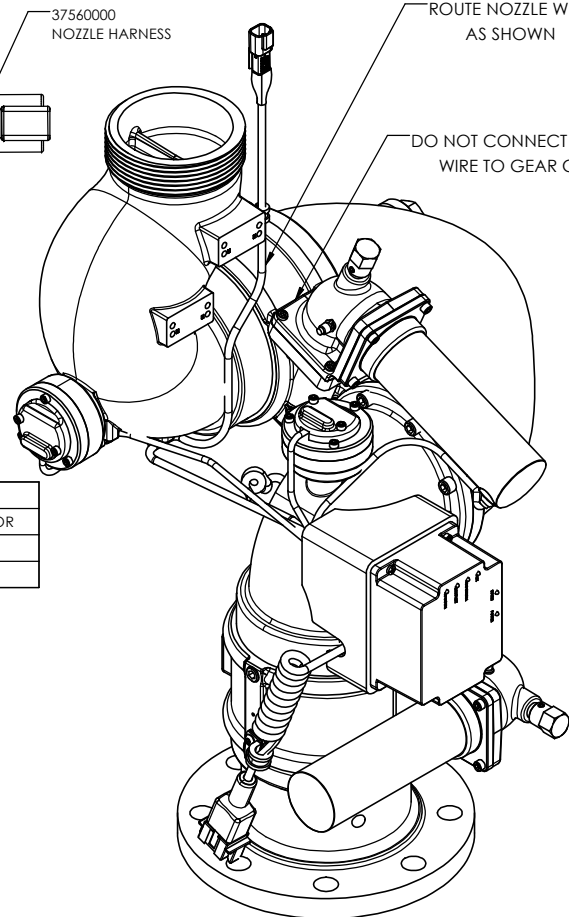
ROUTE NOZZLE WIRE AS SHOWN, LEAVE ENOUGH SLACK IN WIRE TO ALLOW DISCHARGE TO TRAVEL ITS FULL RANGE



POSITION CALIBRATION LOCATIONS

VERTICAL

HORIZONTAL



ROUTE NOZZLE WIRE AS SHOWN

DO NOT CONNECT NOZZLE WIRE TO GEAR CASE

ELKHART BRASS MFG. CO., INC. <small>1332 West Beardsley Ave. Elkhart, IN 46514, USA</small> <small>Copyright © 2012 by Elkhart Brass Mfg. Co., Inc.</small>		DESIGNED BY: LSP DATE: 06/13/2019 CHECKED BY: KAS DATE: 07/18/2019	ELKHART BRASS Fire Fighting Equipment
MATERIAL: N/A	HEIGHT: 42.4913	DESCRIPTION: SCORPION - EXM (7400X2)	
TOLERANCE UNLESS OTHERWISE SPECIFIED: ±.12"	UNLESS OTHERWISE SPECIFIED: DIMENSIONS ARE IN INCHES	ASSEMBLY	CATALOG NO. 7400X2
1 PLACE DEC. ±.12"	DO NOT SCALE PRINT	D	REV. 3
2 PLACE DEC. REF	INTERPRET DIMENSIONS AND TOLERANCES PER ASME Y14.5M 1994	CAD SCALE 0.375:1	SHEET 3 OF 3
ANGLES ± 1°	CAD MODEL	THIRD ANGLE PROJECTION	

02007403 REV. 1 REL