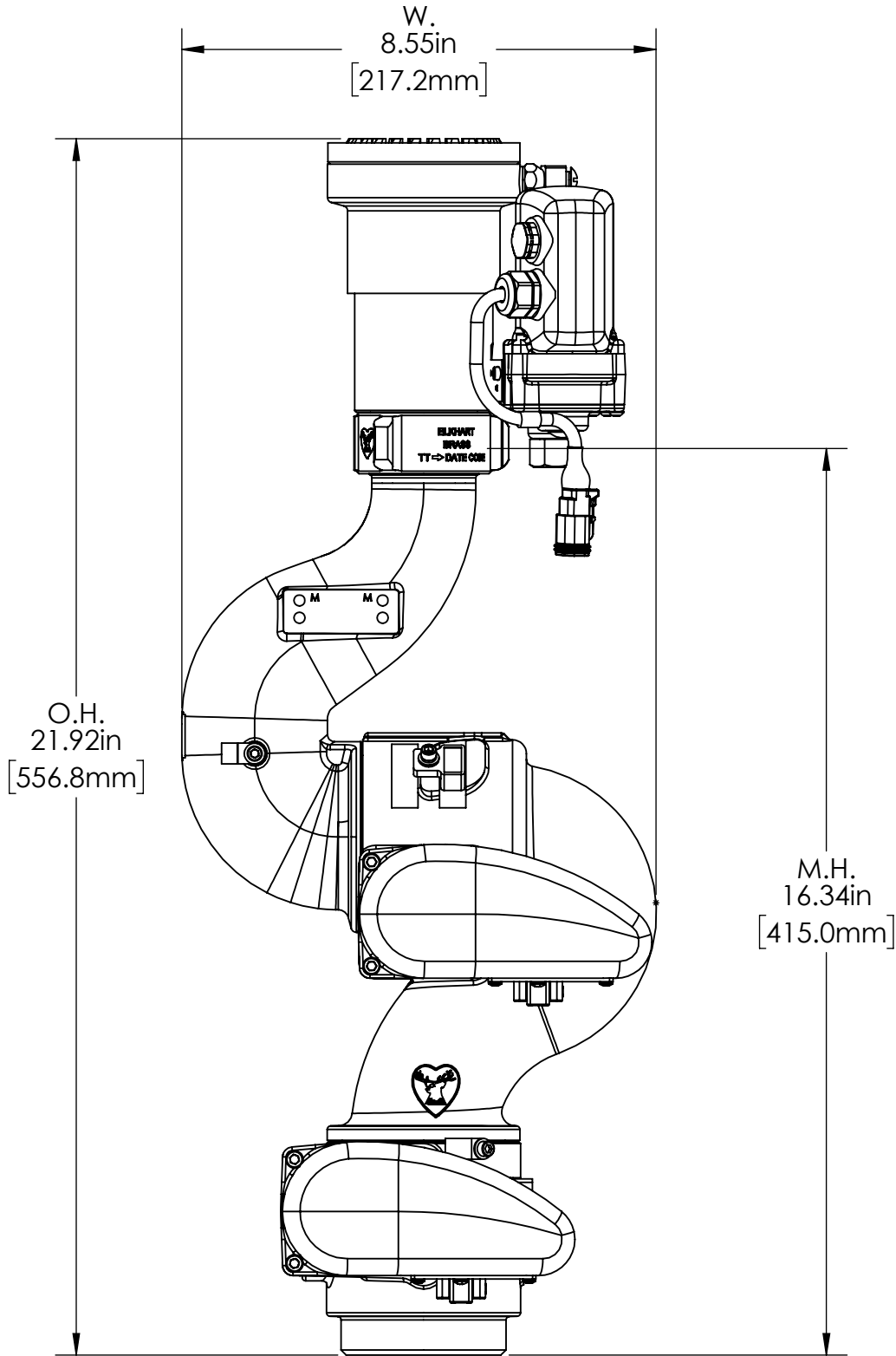

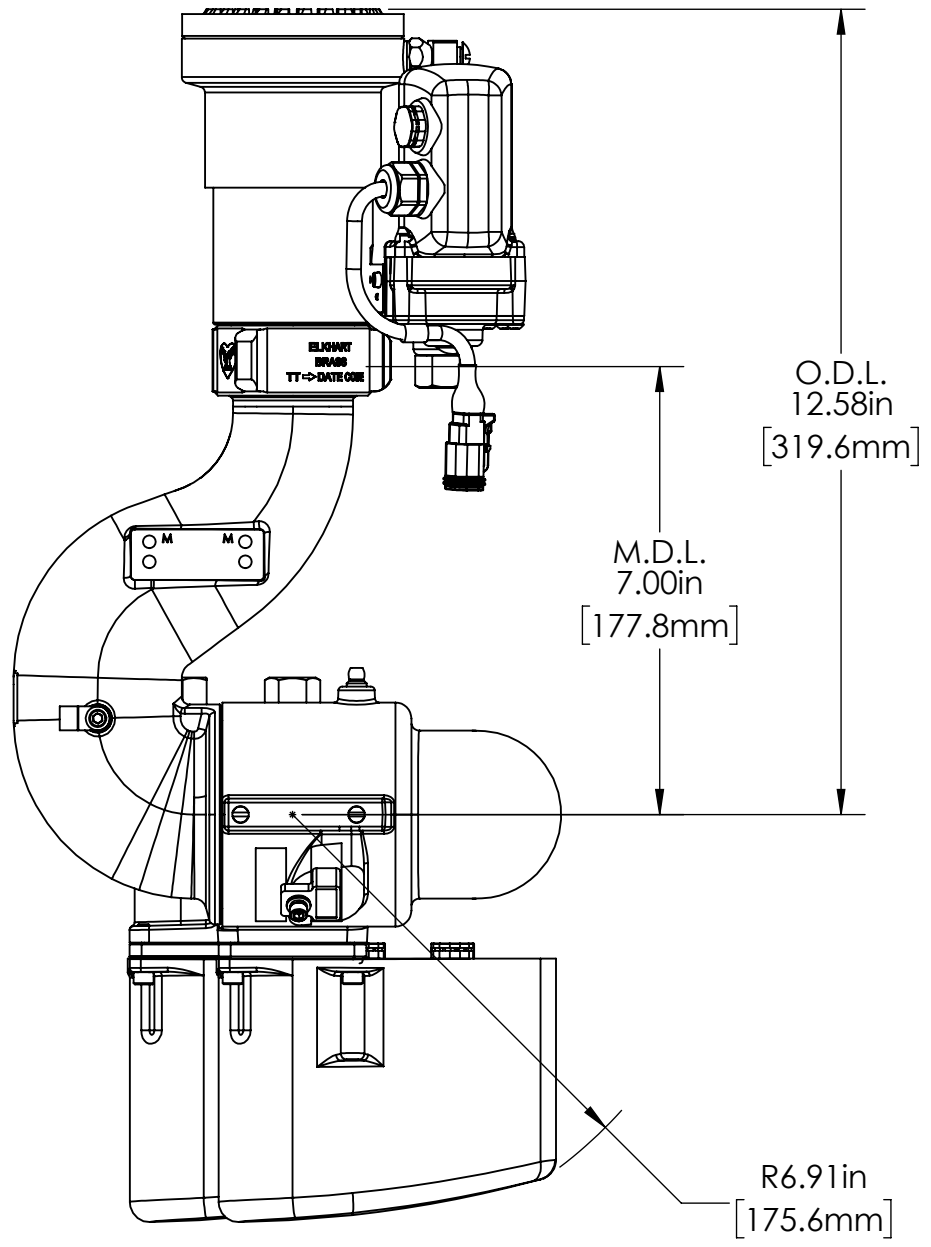



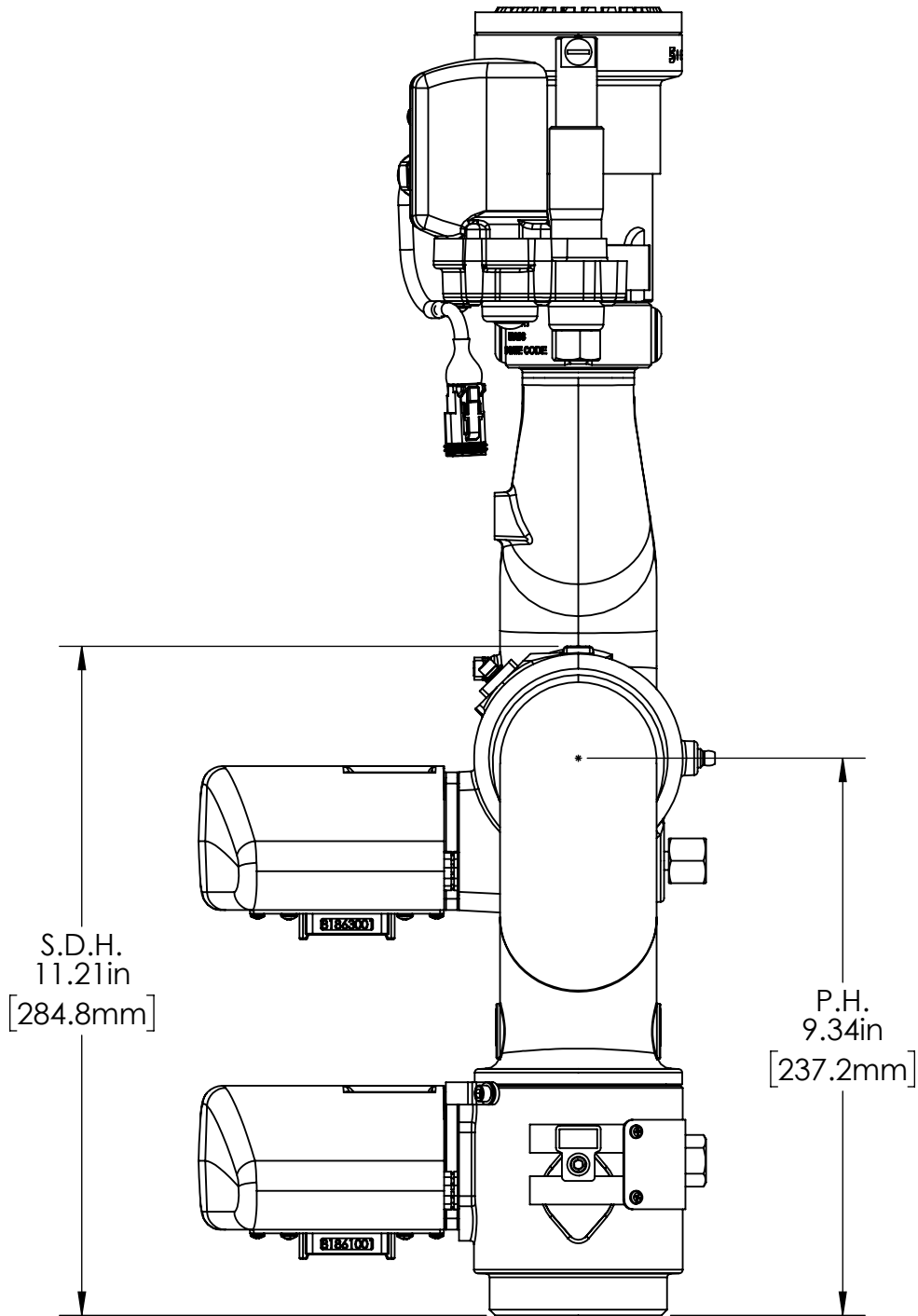
ZONE	REV.	DESCRIPTION	BY	ECN NUMBER
	REL	RELEASED TO PRODUCTION	BZG	191016



 ELKHART BRASS <small>Fire Fighting Equipment</small>	
<small>THIS DRAWING CONTAINS INFORMATION THAT IS PROPRIETARY TO ELKHART BRASS MFG CO., INC. AND MAY NOT BE USED TO PRODUCE ANY PARTS, ASSEMBLIES OR PRODUCTS DESCRIBED HEREIN WITHOUT EXPRESS WRITTEN PERMISSION</small>	
<small>8495_DIMENSIONAL PAGE 1 OF 5 09/23/2019</small>	<small>DIMENSIONAL DRAWING</small>

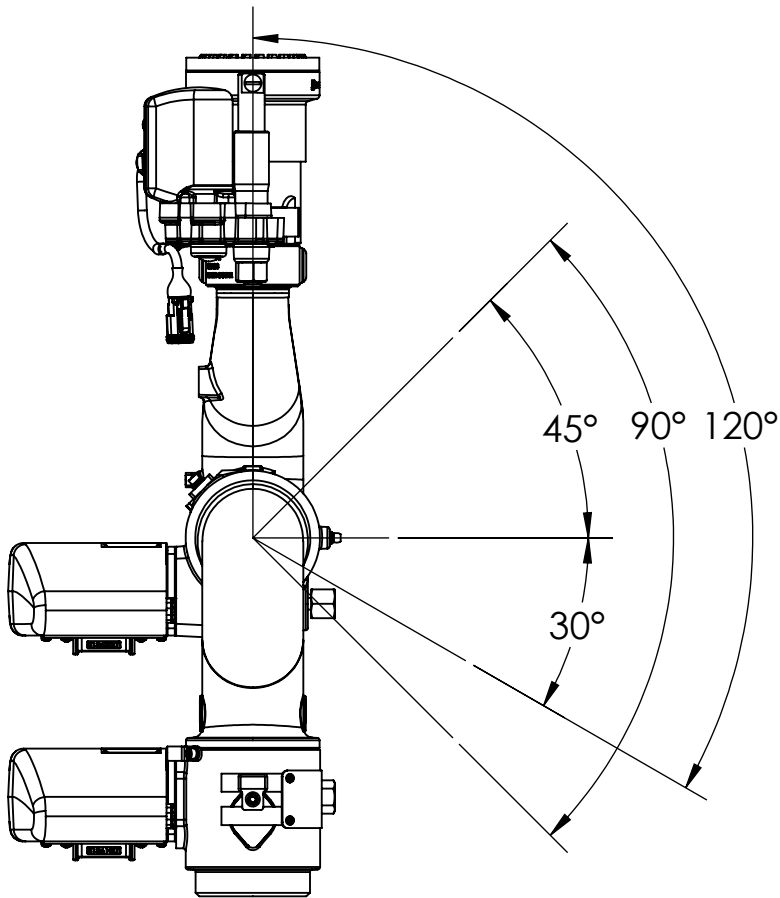


 ELKHART BRASS <small>Fire Fighting Equipment</small>	
<small>THIS DRAWING CONTAINS INFORMATION THAT IS PROPRIETARY TO ELKHART BRASS MFG CO., INC. AND MAY NOT BE USED TO PRODUCE ANY PARTS, ASSEMBLIES OR PRODUCTS DESCRIBED HEREIN WITHOUT EXPRESS WRITTEN PERMISSION</small>	
<small>8495_DIMENSIONAL PAGE 2 OF 5 09/23/2019</small>	<small>DIMENSIONAL DRAWING</small>

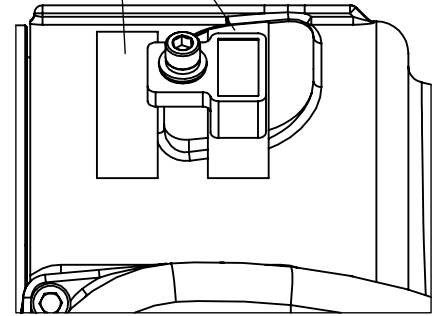


THIS DRAWING CONTAINS INFORMATION THAT IS PROPRIETARY TO ELKHART BRASS MFG CO., INC. AND MAY NOT BE USED TO PRODUCE ANY PARTS, ASSEMBLIES OR PRODUCTS DESCRIBED HEREIN WITHOUT EXPRESS WRITTEN PERMISSION

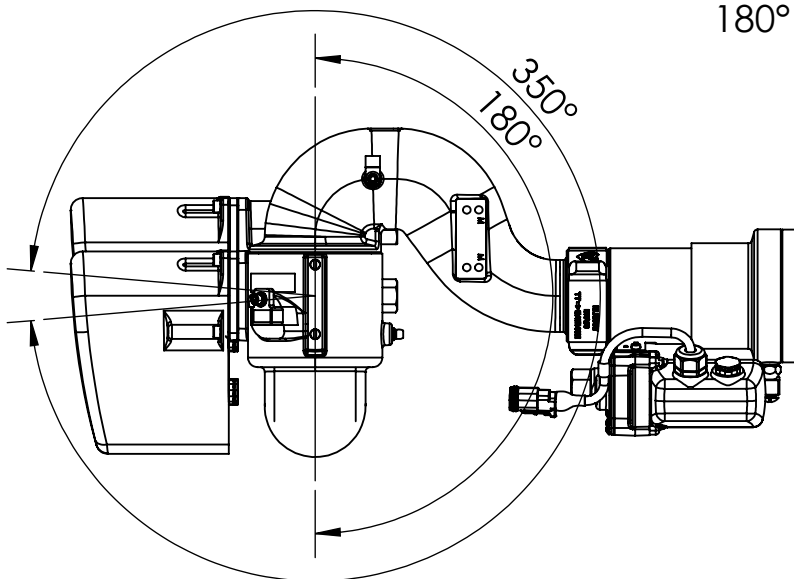
VERTICAL ROTATION ANGLE
DETERMINED BY MOUNTING
POSITION OF VERTICAL SENSOR



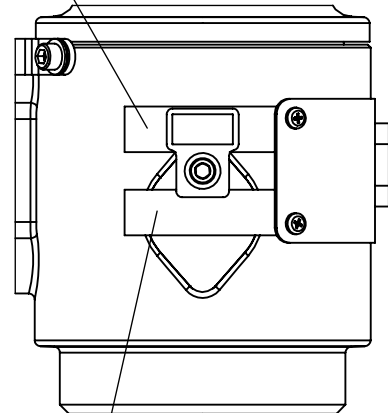
90° POSITION
120° POSITION*



HORIZONTAL ROTATION ANGLE
DETERMINED BY MOUNTING
POSITION OF HORIZONTAL SENSOR




180° POSITION




350° POSITION*

***IF HORIZONTAL ROTATION IS SET FOR 350°,
VERTICAL ROTATION MUST BE SET FOR 120°**

 ELKHART BRASS <small>Fire Fighting Equipment</small>	
<small>THIS DRAWING CONTAINS INFORMATION THAT IS PROPRIETARY TO ELKHART BRASS MFG CO., INC. AND MAY NOT BE USED TO PRODUCE ANY PARTS, ASSEMBLIES OR PRODUCTS DESCRIBED HEREIN WITHOUT EXPRESS WRITTEN PERMISSION</small>	
<small>8495_DIMENSIONAL PAGE 4 OF 5 09/23/2019</small>	<small>DIMENSIONAL DRAWING</small>

DIMENSIONAL ABBREVIATION KEY*	
ABBREVIATION	DESCRIPTION
D.L.	DISCHARGE LENGTH
H.H.	HANDLE HEIGHT
H.S.R.	HANDLE SWING RADIUS
M.D.L.	MONITOR DISCHARGE LENGTH
M.H.	MONITOR HEIGHT
O.D.L.	OVERALL DISCHARGE LENGTH
O.H.	OVERALL HEIGHT
O.L.	OVERALL LENGTH
P.H.	PIVOT HEIGHT
P.R.	PIVOT RADIUS
R.	RADIUS
S.D.H.	STOW DOWN HEIGHT
W.	WIDTH
*NOT ALL ABBREVIATIONS WILL BE USED ON EVERY DRAWING	

 ELKHART BRASS <small>Fire Fighting Equipment</small>	
<small>THIS DRAWING CONTAINS INFORMATION THAT IS PROPRIETARY TO ELKHART BRASS MFG CO., INC. AND MAY NOT BE USED TO PRODUCE ANY PARTS, ASSEMBLIES OR PRODUCTS DESCRIBED HEREIN WITHOUT EXPRESS WRITTEN PERMISSION</small>	
<small>8495_DIMENSIONAL PAGE 5 OF 5 09/23/2019</small>	<small>DIMENSIONAL DRAWING</small>