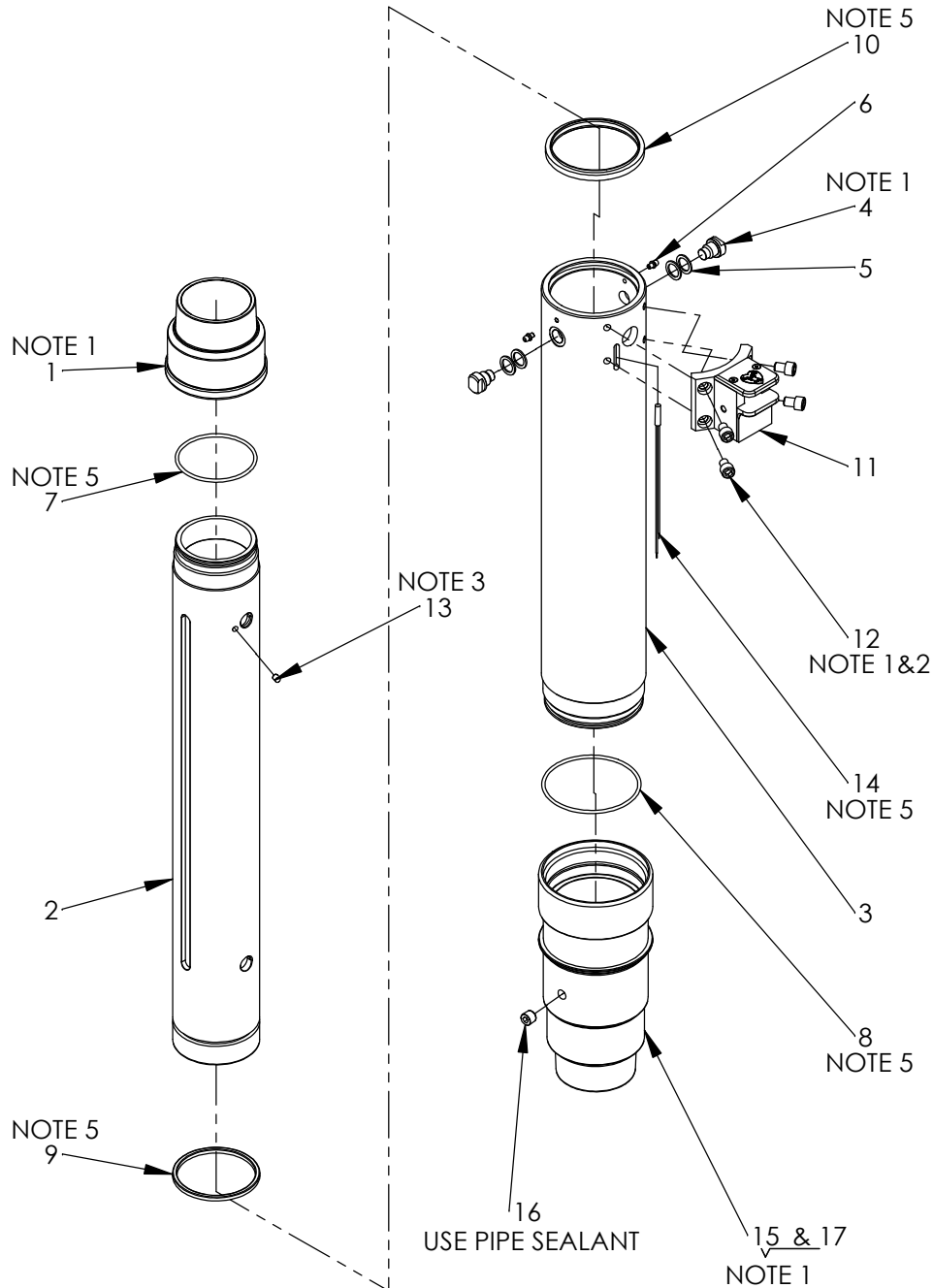


8599 REPLACEMENT PARTS :



NOTES:

1. SECURE WITH LOCTITE#242 OR COMMERCIAL EQUIVALENT
2. TORQUE SCREWS GRADUALLY USING AN X- PATTERN TO 17-18 (FT-LBS). CHECK LATCH IS OPERATING FREELY & SMOOTHLY AFTER ASSEMBLY.
3. SECURE MAGNET USING GREEN LOCTITE #680 OR A COMMERCIAL EQUIVALENT
4. SECURE SENSOR WITH AN RTV SILICONE ADHESIVE (SENSOR SAFE) OR EQUIVALENT.
5. LUBE WITH MEDIUM WEIGHT SILICONE GREASE DURING ASSEMBLY

ITEM NO.	PART NUMBER	DESCRIPTION	88599001/QTY.	88599011/QTY.
1	10844001	ADAPTER OUTLET (3"MNPT) 8598	1	1
2	66677001	TUBE-MANUAL EXTENSION (INNER)	1	1
3	66678001	TUBE - MANUAL EXTENSION (OUTER)	1	1
4	33409001	SCREW GUIDE/STOP	2	2
5	65555000	SPACER-STOP/GUIDE SCREW 0.870-OD X 0.626-ID X 0.060-THK	4	4
6	31011000	Grease Fitting (3/16 DR-SS)	2	2
7	57314000	O RING AS-568-236 3.234 X.139	1	1
8	57316000	O RING AS-568-242 3.984 X.139	1	1
9	62157000	U-CUP SEAL (3.375-ID X 3.750-OD X 0.188-W)	1	1
10	62158000	SEAL/ROD WIPER	1	1
11	81847001	LATCH SUB ASM (MANUAL EXTENDER)	1	1
12	64125000	SCREW .375-16 X .50 LG SHCS SS	4	4
13	46054000	MAGNET-HP	1	1
14	67568000	SENSOR, PROXIMITY (MANUAL EXTENDER)	1	1
15	10499001	ADAPTER-INLET (3"-MNPT) 8598	1	-
16	51885000	PLUG - PIPE 0.250-18 NPT S/S SOC HD	1	1
17	10498001	ADAPTER 3.0 VICTAULIC INLET	-	1



THIS DRAWING CONTAINS INFORMATION THAT IS PROPRIETARY TO ELKHART BRASS MFG CO., INC. AND MAY NOT BE USED TO PRODUCE ANY PARTS, ASSEMBLIES OR PRODUCTS DESCRIBED HEREIN WITHOUT EXPRESS WRITTEN PERMISSION

88599001 PARTS DWG
PAGE 1 OF 3
05/31/18

XXXX
DRAWING

MOUNTING BRACKET OPTIONS:

PLATE MOUNTING
BRACKET OPTION

17857000

81848001

SADDLE MOUNTING
BRACKET OPTION

(SAME AS LOWER MOUNT)

17857000

23745001

< UPPER MOUNTING BRACKET OPTIONS <
SEE NEXT PAGE TO ORDER EXTENDER ASM. P/N
WITH THE BRACKET OPTIONS >>>>>>


LOWER MOUNTING:
SADDLE OPTION

> LOWER MOUNTING BRACKET OPTION >

INSTALLATION NOTES:

TIGHTEN U-BOLT NUTS GRADUALLY TO 70 (FT-LBS)
STARTING WITH THE LOWER SADDLE MOUNT FIRST.
CHECK OPERATION OF EXTENSION TUBE AND ENSURE IT
REMAINS FREE TO MOVE AFTER TIGHTENING & INSTALLATION

17857000
23745001

 ELKHART BRASS Fire Fighting Equipment	
THIS DRAWING CONTAINS INFORMATION THAT IS PROPRIETARY TO ELKHART BRASS MFG CO., INC. AND MAY NOT BE USED TO PRODUCE ANY PARTS, ASSEMBLIES OR PRODUCTS DESCRIBED HEREIN WITHOUT EXPRESS WRITTEN PERMISSION	
88599001 PARTS DWG PAGE 2 OF 3 05/31/18	XXXX DRAWING

8599 Extender P/N with Mounting BRACKET OPTIONS:

ORDER #08599001 (8599) w/ 3"MNPT Inlet & Saddle BKTS

17857000	BOLT U 4"W/NUTS 8598 ZINC PL	2.000
23745001	SADDLE MNTG CLMP 8599 (E COAT)	2.000
88599001	8599 EXT-MAN 3"MNPT WW SUBASSY	1.000

ORDER #08599011 (8599) w/ 3"VIC Inlet & Saddle BKTS


17857000	BOLT U 4"W/NUTS 8598 ZINC PL	2.000
23745001	SADDLE MNTG CLMP 8599 (E COAT)	2.000
88599011	8599 EXT-MAN 3"VIC WW SUBASSY	1.000

ORDER #08599012 (8599) w/ 3"MNPT Inlet & Plate + Saddle BKTS

17857000	BOLT U 4"W/NUTS 8598 ZINC PL	2.000
23745001	SADDLE MNTG CLMP 8599 (E COAT)	1.000
81848001	PLATE MOUNTING BRKT ASSY 8599	1.000
88599001	8599 EXT-MAN 3"MNPT WW SUBASSY	1.000

ORDER #08599013 (8599) w/ 3"VIC Inlet & Plate + Saddle BKTS

17857000	BOLT U 4"W/NUTS 8598 ZINC PL	2.000
23745001	SADDLE MNTG CLMP 8599 (E COAT)	1.000
81848001	PLATE MOUNTING BRKT ASSY 8599	1.000
88599011	8599 EXT-MAN 3"VIC WW SUBASSY	1.000

 ELKHART BRASS Fire Fighting Equipment	
THIS DRAWING CONTAINS INFORMATION THAT IS PROPRIETARY TO ELKHART BRASS MFG CO., INC. AND MAY NOT BE USED TO PRODUCE ANY PARTS, ASSEMBLIES OR PRODUCTS DESCRIBED HEREIN WITHOUT EXPRESS WRITTEN PERMISSION	
88599001 PARTS DWG PAGE 3 OF 3 05/31/18	XXXX DRAWING