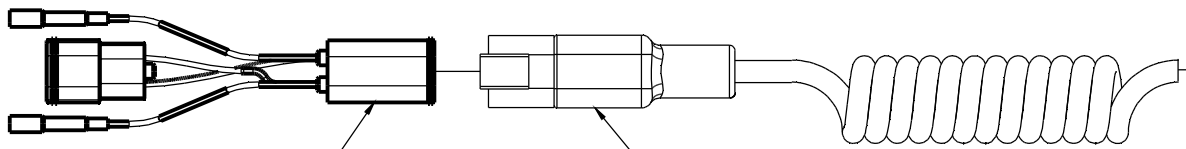


CONNECTOR 2, DT06 - 12S (GREEN)				
POSITION	WIRE SIZE	COLOR	FUNCTION	
1	18 AWG	BROWN	HWADDR1	
2	18 AWG	WHITE	HWADDR2	
3		PLUG		
4	18 AWG	BLUE	P2-4-SIGNAL	
5	18 AWG	BLACK	P2-5-GND	
6	18 AWG	RED	P2-6-POWER	
7	18 AWG	RED	P2-7-POWER	
8	18 AWG	BLACK	P2-8-GND	
9	18 AWG	BLUE	P2-9-SIGNAL	
10		PLUG		
11		PLUG		
12		PLUG		

INPUT POWER HARNESS (DIO4-6P)				
POSITION	WIRE SIZE	COLOR	FUNCTION	
1	18 AWG	BLUE	CAN HIGH	
2	12 AWG	BLACK	GND	
3	18 AWG	BROWN	HWADDR1	
4	18 AWG	WHITE	HWADDR2	
5	14 AWG	RED	+TRUCK POWER	
6	18 AWG	GREEN	CAN LOW	

CONNECTOR 1, DT06 - 12S (GRAY)				
POSITION	WIRE SIZE	COLOR	FUNCTION	
1	18 AWG	BLACK	P1-1-DOWN	
2	18 AWG	RED	P1-2-UP	
3	18 AWG	RED	P1-3-STREAM	
4	18 AWG	BLACK	P1-4-FOG	
5	18 AWG	RED	P1-5-LEFT	
6	18 AWG	BLACK	P1-6-RIGHT	
7		PLUG		
8		PLUG		
9		PLUG		
10		PLUG		
11	18 AWG	GREEN	CAN LOW	
12	18 AWG	BLUE	CAN HIGH	

CONNECTOR 3, DTP06 - 4S (CIRCUIT BOARD POWER)				
POSITION	WIRE SIZE	COLOR	FUNCTION	
1	14 AWG	BLACK	GND	
2		PLUG		
3		PLUG		
4	14 AWG	RED	+TRUCK POWER	

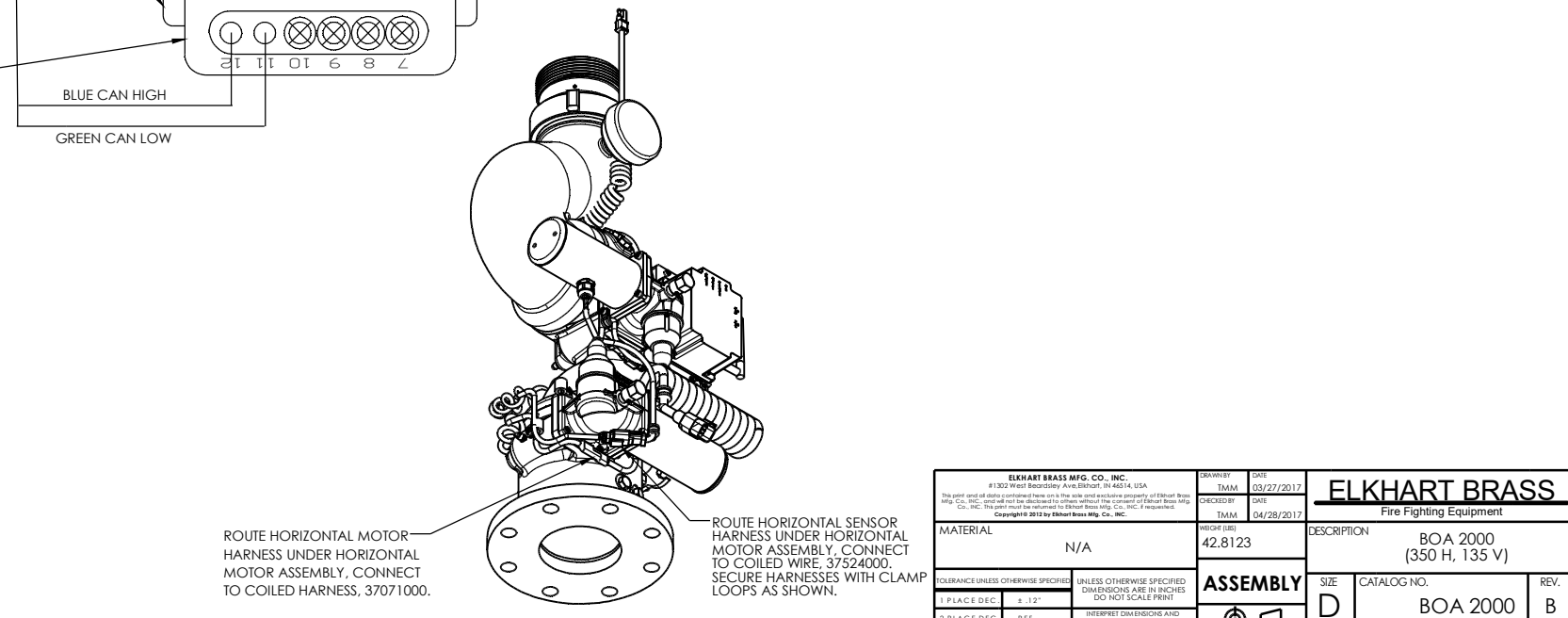
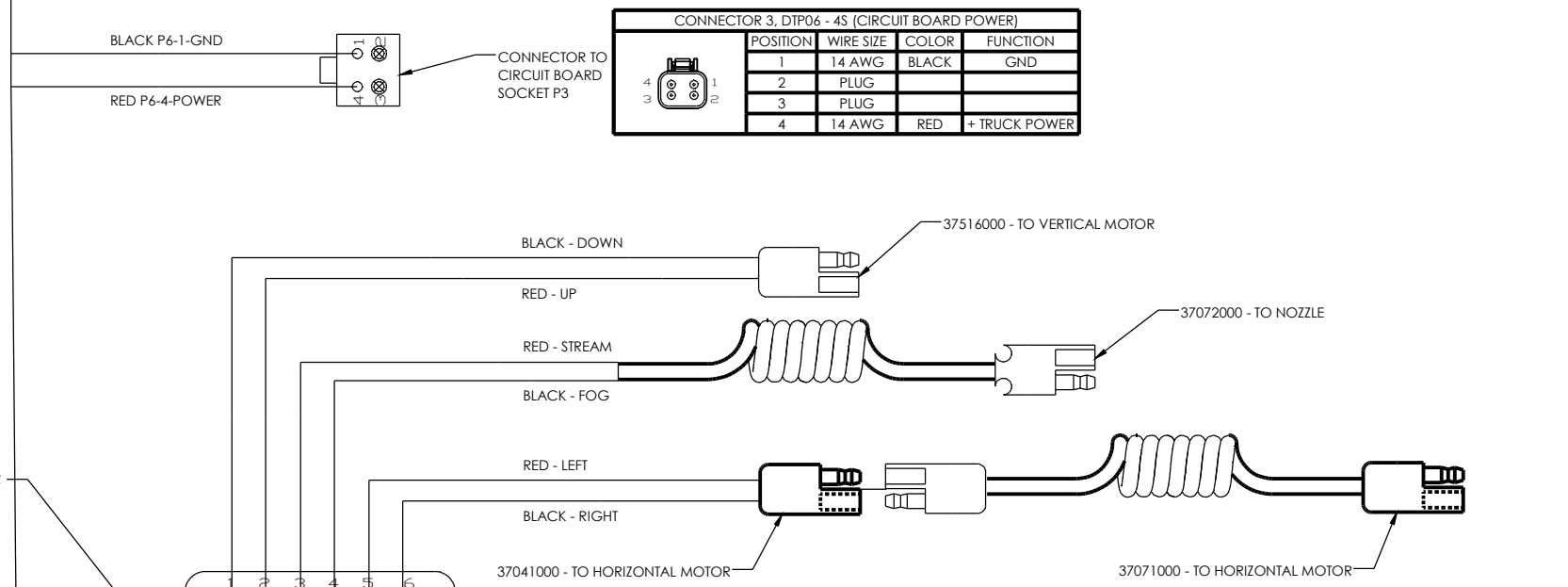
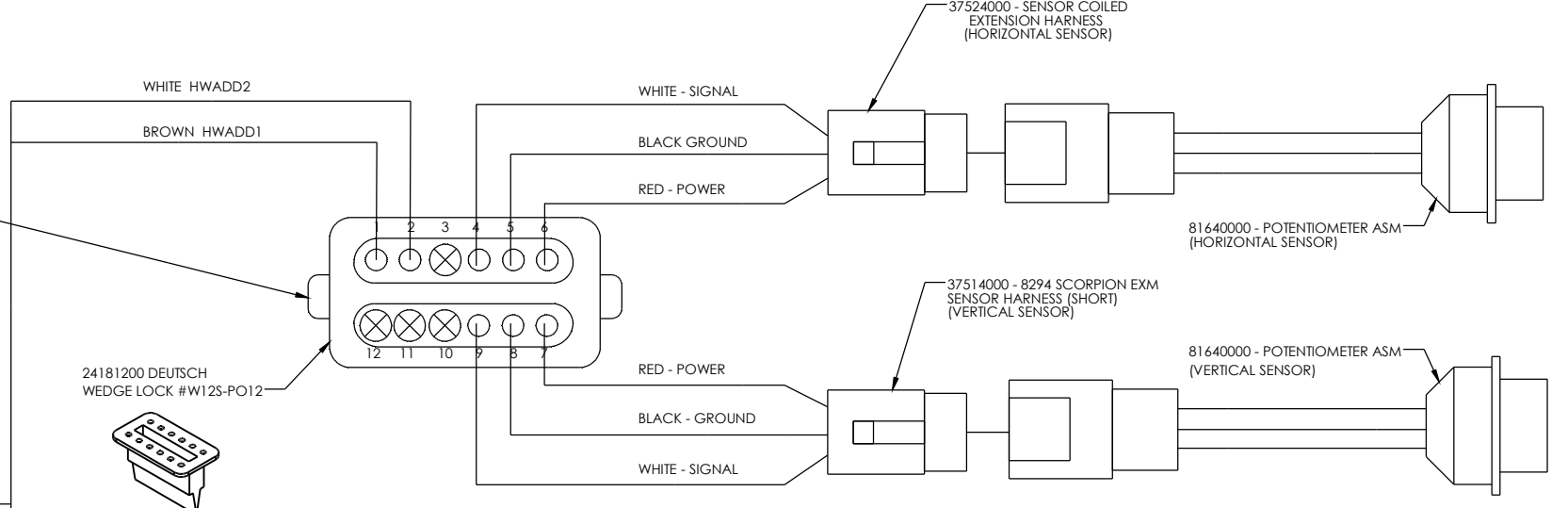


37045000 - MONITOR PIGTAIL HARNESS (SHIP LOOSE)
 P/N 37047000 CAN PIGTAIL HARNESS (NOT SHOWN, SHIP LOOSE)
 P/N 33383000 4" FLANGE GASKET (NOT SHOWN, SHIP LOOSE)

ROUTE VERTICAL MOTOR HARNESS BEHIND VERTICAL MOTOR, CONNECT TO STRAIGHT HARNESS, 37516000.

ROUTE VERTICAL SENSOR HARNESS UNDER THE VERTICAL MOTOR ASSEMBLY, CONNECT TO STRAIGHT HARNESS, 37514000. SECURE HARNESS WITH CLAMP LOOPS AS SHOWN.

NOTE 8: SET A LEFT AND RIGHT KEEP-OUT ZONE TO PREVENT THE MONITOR DISCHARGE ELBOW FROM CONTACTING THE HORIZONTAL MOTOR AND SENSOR PARTS. FAILURE TO SET THESE KEEP-OUT ZONES COULD RESULT IN DAMAGE TO THE MONITOR.



ROUTE HORIZONTAL MOTOR HARNESS UNDER HORIZONTAL MOTOR ASSEMBLY, CONNECT TO COILED HARNESS, 37071000.

ROUTE HORIZONTAL SENSOR HARNESS UNDER HORIZONTAL MOTOR ASSEMBLY, CONNECT TO COILED WIRE, 37524000. SECURE HARNESSES WITH CLAMP LOOPS AS SHOWN.

ELKHART BRASS MFG. CO., INC. <small>41302 West Broadway Ave. Elkhart, IN 46514 USA</small>		DRAWN BY: TMM DATE: 03/27/2017 CHECKED BY: GAF DATE: 04/28/2017	ELKHART BRASS Fire Fighting Equipment
MATERIAL: N/A	UNLESS OTHERWISE SPECIFIED DIMENSIONS ARE IN INCHES (DO NOT SCALE PRINT)	MFG# (30): 42.8123 ASSEMBLY	DESCRIPTION: BOA 2000 (350 H, 135 V) SIZE: D CATALOG NO.: BOA 2000 CAD SCALE: 1:4
1 PLACE DEC: ± .12" 2 PLACE DEC: ± .01" ANGLES: ± 1°	UNLESS OTHERWISE SPECIFIED DIMENSIONS ARE IN INCHES (DO NOT SCALE PRINT) TOLERANCES PER ASME Y14.5M 1994 CAD MODEL:	SHEET: 3 OF 3 REV: B	SHEET: 3 OF 3

00007451 REV. B