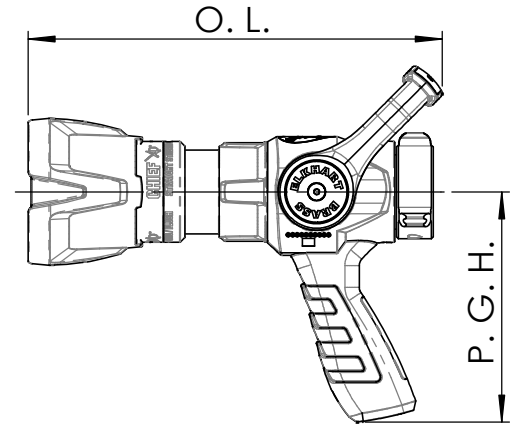
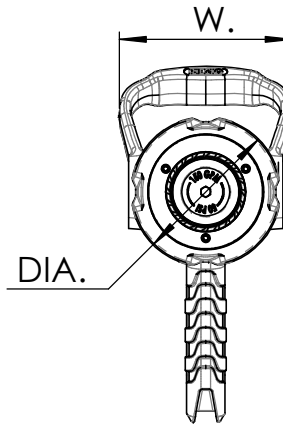


TIP



NOZZLE

CHIEF XD DIMENSIONAL TABLE

FLOW RATE (GPM @ PSI)	TYPE	BASE	(IN INCHES)						WEIGHT (LBS.)	
			BASE SIZE	OVERALL LENGTH (O. L.)		BUMPER DIA. (DIA.)	BALE HANDLE WIDTH (W.)	PISTOL GRIP HEIGHT (P. G. H.)	NO PISTOL GRIP	PISTOL GRIP
				MAX (S.S.)	MIN (FLUSH)					
95 @ 100 125 @ 75 125 @ 100 150 @ 50 150 @ 75 150 @ 100 175 @ 75 175 @ 100	TIP	RIGID	1.5	6.33	5.53	3.89	N/A	N/A	2.3	N/A
	NOZZLE	FREE SWIVEL	1.5	10.79	9.99	3.89	4.50	5.99	4.5	5.0
160 @ 50 175 @ 50 185 @ 75 200 @ 75	TIP	RIGID	1.5	6.37	5.51	3.89	N/A	N/A	2.2	N/A
	NOZZLE	FREE SWIVEL	1.5	10.84	9.98	3.89	4.5	5.99	4.3	4.8
185 @ 50 210 @ 50 250 @ 50 250 @ 75 250 @ 100 265 @ 50 300 @ 75	TIP	RIGID	1.5	6.83	5.82	4.43	N/A	N/A	3.2	N/A
	NOZZLE	FREE SWIVEL	1.5	11.26	10.25	4.43	4.5	5.99	5.3	5.8
	NOZZLE	FREE SWIVEL	2.5	13.15	12.15	4.43	4.5	5.99	6.0	6.5

ELKHART BRASS
Fire Fighting Equipment

THIS DRAWING CONTAINS INFORMATION THAT IS PROPRIETARY TO ELKHART BRASS MFG CO., INC. AND MAY NOT BE USED TO PRODUCE ANY PARTS, ASSEMBLIES OR PRODUCTS DESCRIBED HEREIN WITHOUT EXPRESS WRITTEN PERMISSION

CHIEF XD TIP & NOZZLE - DIMENSIONAL
PAGE 1 OF 1
02/10/2017

DIMENSIONAL TABLE