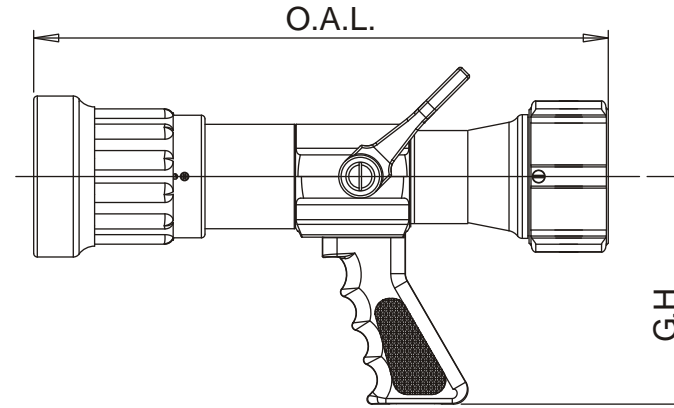
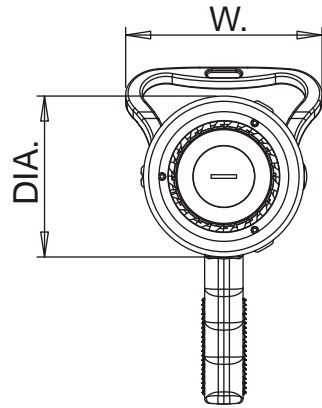
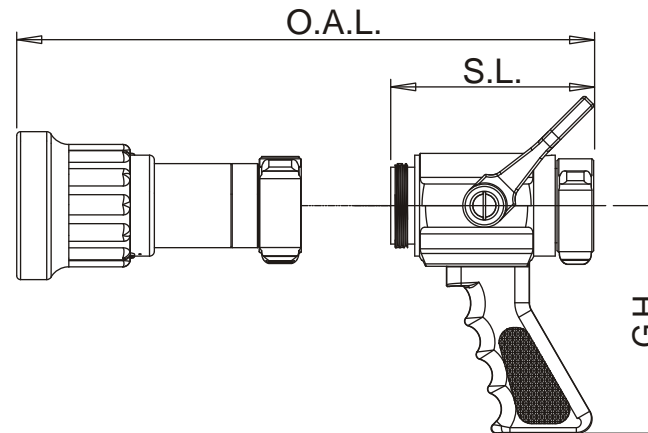
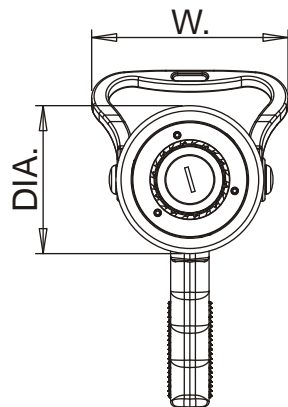



TIP



NOZZLE



BREAK-APART


| | | |
|---|--|--|
|  | ELKHART BRASS MFG. CO., INC. ELKHART, INDIANA | |
| | <small>THIS DRAWING CONTAINS INFORMATION THAT IS PROPRIETARY TO ELKHART BRASS MFG. CO., INC. AND MAY NOT BE USED TO PRODUCE ANY PARTS, ASSEMBLIES OR PRODUCTS DESCRIBED HEREIN WITHOUT EXPRESS WRITTEN PERMISSION.</small> | |
| <small>CHIEF PAGE 1 OF 2 01/2008</small> | <small>DIMENSIONAL DRAWING</small> | |

| CHIEF DIMENSIONAL TABLE | | | | | | | | | | | | |
|-------------------------|-----------|-------------|-------------|------------|-----------|-------|------------|------------|-----------|--------------------|------------------------|---------------|
| (In Inches) | | | | | | | | | | | | |
| MODEL | BASE SIZE | BASE | TYPE | LENGTH | | | WIDTH (W.) | | | GRIP HEIGHT (G.H.) | SHUT-OFF LENGTH (S.L.) | WEIGHT (LBS.) |
| | | | | MAX (S.S.) | MIN (FOG) | DIA. | TAB | HORSE SHOE | PLAY PIPE | | | |
| 4000-01 | 1.00 | RIGID | NOZZLE | 8.125 | 7.750 | 3.375 | 3.750 | 5.125 | | | 3.30 | |
| 4000-02 | 1.00 | FREE SWIVEL | NOZZLE | 9.000 | 8.625 | 3.375 | 3.750 | 5.125 | | | 3.31 | |
| 4000-03 | 1.00 | FREE SWIVEL | NOZZLE | 9.000 | 8.625 | 3.375 | 3.750 | 5.125 | 5.688 | | 3.80 | |
| 4000-04 | 1.00 | SWIVEL | TIP | 7.500 | 7.125 | 3.375 | | | | | 1.88 | |
| 4000-10 | 1.50 | SWIVEL | NOZZLE | 9.063 | 8.438 | 3.750 | 3.750 | 5.125 | | | 3.46 | |
| 4000-11 | 1.50 | RIGID | NOZZLE | 8.813 | 8.188 | 3.750 | 3.750 | 5.125 | | | 3.39 | |
| 4000-12 | 1.50 | FREE SWIVEL | NOZZLE | 9.188 | 8.563 | 3.750 | 3.750 | 5.125 | | | 3.43 | |
| 4000-13 | 1.50 | FREE SWIVEL | NOZZLE | 9.188 | 8.563 | 3.750 | 3.750 | 5.125 | 5.688 | | 3.93 | |
| 4000-14 | 1.50 | RIGID | TIP | 7.188 | 5.813 | 3.750 | | | | | 2.10 | |
| 4000-14 | 1.50 | SWIVEL | TIP | 7.438 | 7.063 | 3.750 | | | | | 2.20 | |
| 4000-14HR | 1.50 | RIGID | TIP | 7.063 | 6.313 | 3.750 | | | | | 2.14 | |
| 4000-15 | 1.50 | RIGID | BREAK-APART | 12.125 | 11.750 | 3.750 | 4.250 | 5.125 | | 4.688 | 4.45 | |
| 4000-15 | 1.50 | SWIVEL | BREAK-APART | 12.375 | 12.000 | 3.750 | 4.250 | 5.125 | | 4.938 | 4.58 | |
| 4000-15 | 1.50 | FREE SWIVEL | BREAK-APART | 12.688 | 12.313 | 3.750 | 4.250 | 5.125 | | 5.250 | 4.49 | |
| 4000-16 | 1.50 | SWIVEL | NOZZLE | 10.500 | 9.750 | 3.750 | 4.250 | 5.125 | | | 4.20 | |
| 4000-17 | 1.50 | FREE SWIVEL | NOZZLE | 10.813 | 10.063 | 3.750 | 4.250 | 5.125 | 5.938 | | 4.70 | |
| 4000-18 | 1.50 | RIGID | BREAK-APART | 12.125 | 11.750 | 3.750 | 4.250 | 5.125 | 5.938 | 4.688 | 4.98 | |
| 4000-18 | 1.50 | SWIVEL | BREAK-APART | 12.375 | 12.000 | 3.750 | 4.250 | 5.125 | 5.938 | 4.938 | 5.08 | |
| 4000-18 | 1.50 | FREE SWIVEL | BREAK-APART | 12.688 | 12.313 | 3.750 | 4.250 | 5.125 | 5.938 | 5.250 | 5.02 | |
| 4000-19 | 1.50 | RIGID | TIP | 7.375 | 6.375 | 3.750 | | | | | 2.10 | |
| 4000-19 | 1.50 | SWIVEL | TIP | 7.625 | 6.625 | 3.750 | | | | | 2.20 | |
| 4000-20 | 1.50 | SWIVEL | NOZZLE | 11.000 | 10.000 | 4.313 | 4.250 | 5.125 | | | 6.29 | |
| 4000-20 | 1.50 | FREE SWIVEL | NOZZLE | 11.313 | 10.313 | 4.313 | 4.250 | 5.125 | | | 6.04 | |
| 4000-21 | 1.50 | RIGID | BREAK-APART | 13.688 | 12.250 | 4.313 | 4.250 | 5.125 | | 4.688 | 6.68 | |
| 4000-21 | 1.50 | SWIVEL | BREAK-APART | 13.938 | 12.500 | 4.313 | 4.250 | 5.125 | | 4.938 | 6.78 | |
| 4000-21 | 1.50 | FREE SWIVEL | BREAK-APART | 14.250 | 12.813 | 4.313 | 4.250 | 5.125 | | 5.250 | 6.72 | |

Denotes standard

| CHIEF DIMENSIONAL TABLE | | | | | | | | | | | | |
|-------------------------|-----------|---------------------|-------------|------------|-----------|-------|------------|------------|-----------|--------------------|------------------------|---------------|
| (In Inches) | | | | | | | | | | | | |
| MODEL | BASE SIZE | BASE | TYPE | LENGTH | | | WIDTH (W.) | | | GRIP HEIGHT (G.H.) | SHUT-OFF LENGTH (S.L.) | WEIGHT (LBS.) |
| | | | | MAX (S.S.) | MIN (FOG) | DIA. | TAB | HORSE SHOE | PLAY PIPE | | | |
| 4000-22 | 1.50 | RIGID | TIP | 8.563 | 7.438 | 4.313 | | | | | | 3.80 |
| 4000-22 | 1.50 | SWIVEL | TIP | 8.813 | 7.688 | 4.313 | | | | | | 3.90 |
| 4000-23 | 1.50 | SWIVEL | NOZZLE | 11.000 | 10.000 | 4.313 | 4.250 | 5.125 | | | | 6.36 |
| 4000-23 | 1.50 | FREE SWIVEL | NOZZLE | 11.313 | 10.313 | 4.313 | 4.250 | 5.125 | | | | 6.11 |
| 4000-24 | 1.50 | RIGID | TIP | 8.750 | 7.313 | 4.313 | | | | | | 3.80 |
| 4000-24 | 1.50 | SWIVEL | TIP | 8.750 | 7.313 | 4.313 | | | | | | 3.90 |
| 4000-25 | 1.50 | RIGID | BREAK-APART | 13.438 | 12.000 | 4.313 | 4.250 | 5.125 | | | 4.688 | 6.15 |
| 4000-25 | 1.50 | SWIVEL | BREAK-APART | 13.688 | 12.250 | 4.313 | 4.250 | 5.125 | | | 4.938 | 6.28 |
| 4000-25 | 1.50 | FREE SWIVEL | BREAK-APART | 14.000 | 12.563 | 4.313 | 4.250 | 5.125 | | | 5.250 | 6.19 |
| 4000-31 | 1.50 | SWIVEL | BREAK-APART | 14.500 | 13.375 | 4.313 | 4.313 | 5.125 | | 5.938 | 5.675 | 7.40 |
| 4000-31 | 1.50 | FREE SWIVEL | BREAK-APART | 15.063 | 13.938 | 4.313 | 4.313 | 5.125 | | 5.938 | 6.250 | 7.23 |
| 4000-35 | 1.50 | SWIVEL | BREAK-APART | 14.500 | 13.375 | 4.313 | 4.313 | 5.125 | | | 5.675 | 6.90 |
| 4000-35 | 1.50 | FREE SWIVEL | BREAK-APART | 15.063 | 13.938 | 4.313 | 4.313 | 5.125 | | | 6.250 | 6.73 |
| 4000-22 | 2.50 | SWIVEL | TIP | 8.813 | 7.688 | 4.313 | | | | | | 4.30 |
| 4000-24 | 2.50 | SWIVEL | TIP | 8.750 | 7.313 | 4.313 | | | | | | 4.27 |
| 4000-26 | 2.50 | SWIVEL | NOZZLE | 14.250 | 13.250 | 4.313 | 4.250 | 5.125 | | | | 6.76 |
| 4000-26 | 2.50 | FREE SWIVEL (SHORT) | NOZZLE | 12.500 | 11.500 | 4.313 | 4.250 | 5.125 | | | | 6.76 |
| 4000-26 | 2.50 | FREE SWIVEL (LONG) | NOZZLE | 14.938 | 13.938 | 4.313 | 4.250 | 5.125 | | | | 6.92 |
| 4000-27 | 2.50 | FREE SWIVEL (LONG) | PLAYPIPE | 19.688 | 18.688 | 4.313 | | 5.125 | 12.000 | | 10.938 | 10.40 |
| 4000-28 | 2.50 | SWIVEL | NOZZLE | 14.250 | 13.250 | 4.313 | | | | 5.938 | | 6.76 |
| 4000-28 | 2.50 | FREE SWIVEL (SHORT) | NOZZLE | 12.500 | 11.500 | 4.313 | | | | 5.938 | | 6.76 |
| 4000-28 | 2.50 | FREE SWIVEL (LONG) | NOZZLE | 14.938 | 13.938 | 4.313 | | | | 5.938 | | 6.92 |
| 4000-29 | 2.50 | FREE SWIVEL | PLAYPIPE | 21.938 | 20.938 | 4.313 | 4.250 | 5.125 | 12.000 | | 10.938 | 12.04 |
| 4000-34 | 2.50 | FREE SWIVEL (SHORT) | BREAK-APART | 16.188 | 15.063 | 4.313 | 4.313 | 5.125 | | 5.938 | 7.375 | 7.97 |
| 4000-34 | 2.50 | FREE SWIVEL (LONG) | BREAK-APART | 16.188 | 15.063 | 4.313 | 4.313 | 5.125 | | 5.938 | 9.813 | 8.40 |

Denotes standard

| | |
|--|----------------------|
|  ELKHART BRASS MFG. CO., INC. ELKHART, INDIANA | |
| <small>THIS DRAWING CONTAINS INFORMATION THAT IS PROPRIETARY TO ELKHART BRASS MFG. CO., INC. AND MAY NOT BE USED TO PRODUCE ANY PARTS, ASSEMBLIES OR PRODUCTS DESCRIBED HEREIN WITHOUT EXPRESS WRITTEN PERMISSION.</small> | |
| CHIEF PAGE 2 OF 2 02/2008 | DIMENSIONAL TABLE |