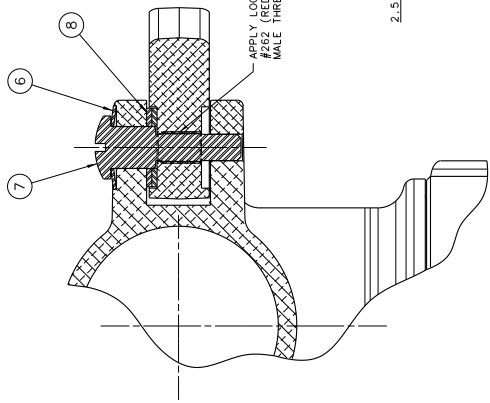
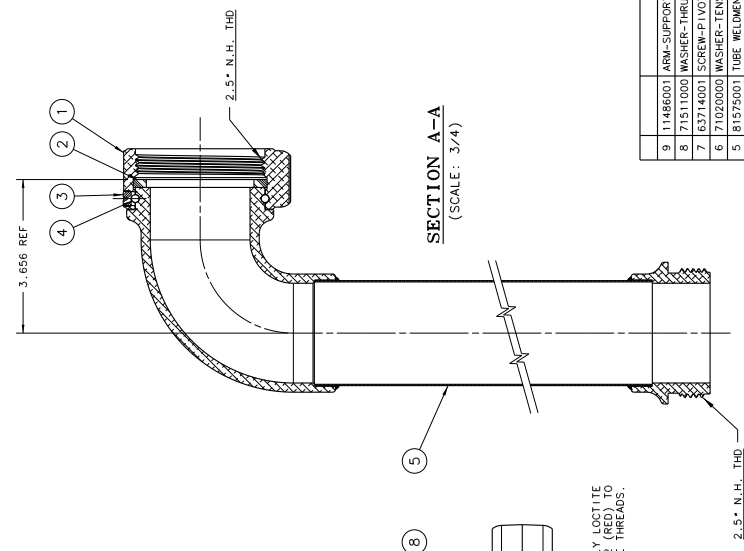
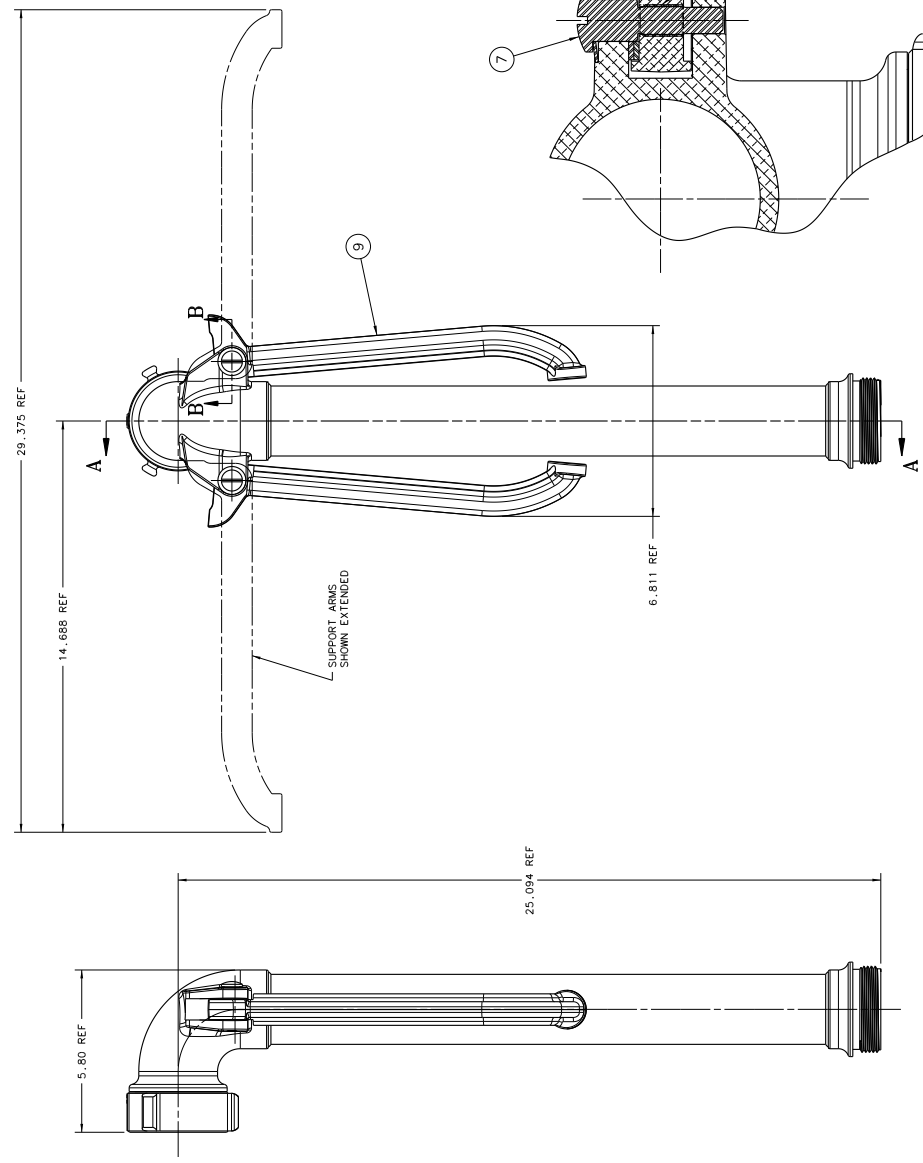
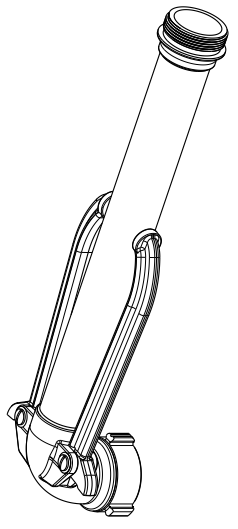


INDEX #	PART#	QTY	DESCRIPTION
1	33083000	1	Rubber Gasket
2	15853004	1	Body (Base) Nozzle
3	15016000	84	0.187 Dia. Brass Ball
4	36387005	1	Head (4 Hole) Body
5	20033004	1	Nozzle Cap
6	61275000	1	Soc. Head Set Screw
7	58952000	4	Retaining Ring
8	63433001	4	Stem Base (Web)
9	66409005	4	Nozzle Tip
10	69049004	4	Nozzle Stem



NO.	PART NO.	PART NAME	QTY	REQ.
9	11486001	ARM-SUPPORT C/A	2	
8	71511000	WASHER-THRUST (1/2")	4	
7	63714001	SCREW-PIVOT S/S	2	
6	71020000	WASHER-TENSION	2	
5	81575001	TUBE WELDMENT SUB-ASSY	1	
4	15018000	BALLS - 0.187 DIA S/S S2	1	
3	63674000	SCREW SET (BLACK ANOD) 1/4" DIA S/S	1	
2	13083000	SCREW-PIVOT (WHT) 1/4" DIA S/S	1	
1	63069001	NOZZLE TIP (ALUM)	1	

NO.	PART NO.	PART NAME	QTY	REQ.
<b>ELKHART MANUFACTURING CO., INC.</b> 2 5" APPLICATOR FOR CELLAR/BRESNAN NOZZLE				
DESIGNED BY: TINSLEY LOCAL DATE: 7/28/1981 DRAWN BY: H. GARVER DATE: 7/28/1981 CHECKED BY: A - 2.5 * MATERIAL: 6061-T6 ALUMINUM FINISH: POLISHED BDRCC				

WEIGHT - 5.75-LBS