


	ELKHART BRASS MFG. CO., INC. ELKHART, INDIANA	
	<small>THIS DRAWING CONTAINS INFORMATION THAT IS PROPRIETARY TO ELKHART BRASS MFG. CO., INC. AND MAY NOT BE USED TO PRODUCE ANY PARTS, ASSEMBLIES OR PRODUCTS DESCRIBED HEREIN WITHOUT EXPRESS WRITTEN PERMISSION.</small>	
<small>GIANT PYTHON 299-20 PAGE 1 OF 5 12/2007</small>	<small>BASE DIMENSIONAL</small>	

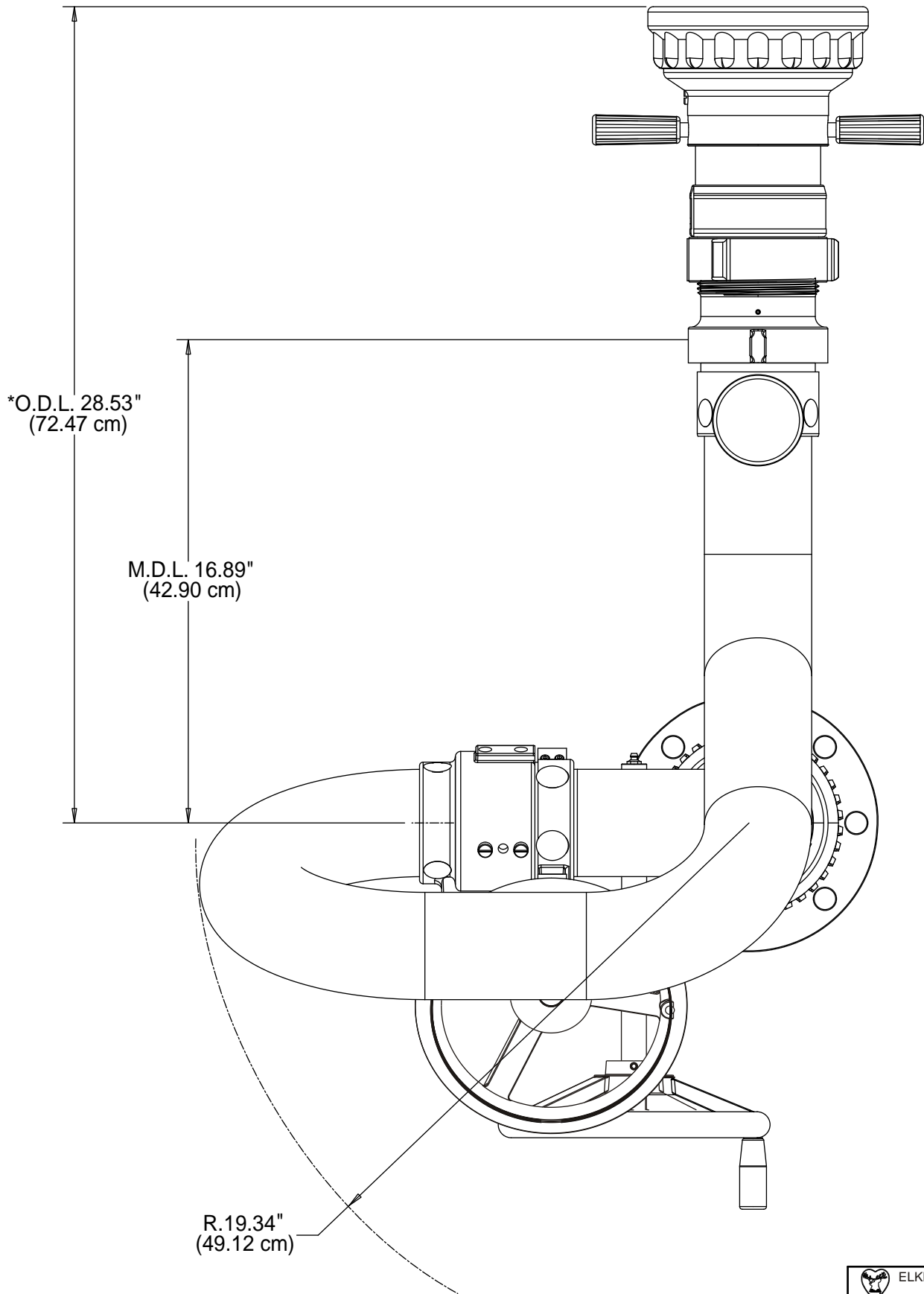
W. 25.31"
(64.29 cm)

*O.H. 48.26"
(122.58 cm)


M.H. 36.56"
(92.86 cm)

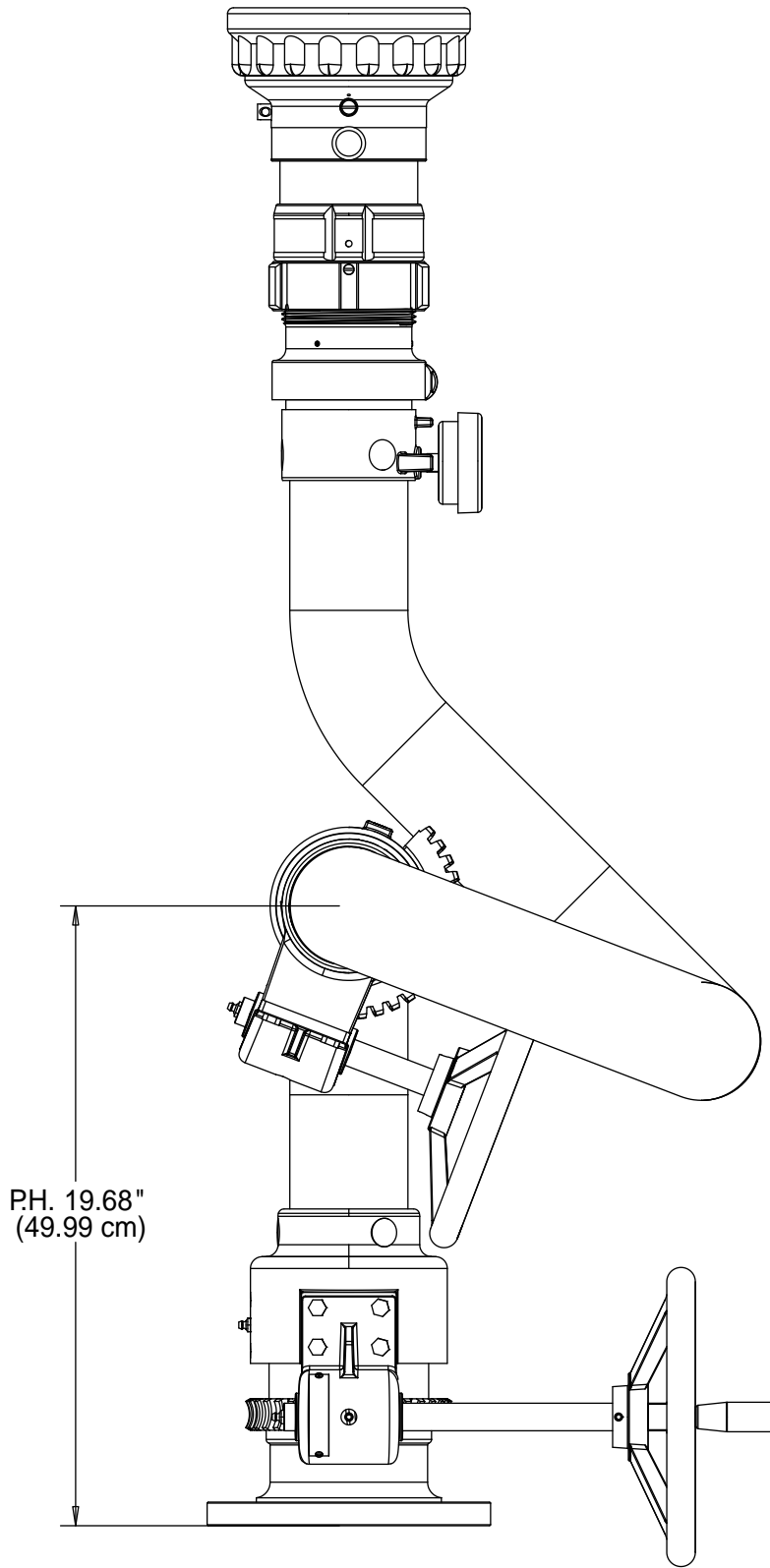
*TYPICAL - SEE INDIVIDUAL NOZZLE DRAWINGS


	ELKHART BRASS MFG. CO., INC. ELKHART, INDIANA
THIS DRAWING CONTAINS INFORMATION THAT IS PROPRIETARY TO ELKHART BRASS MFG. CO., INC. AND MAY NOT BE USED TO PRODUCE ANY PARTS, ASSEMBLIES OR PRODUCTS DESCRIBED HEREIN WITHOUT EXPRESS WRITTEN PERMISSION.	
GIANT PYTHON 299-20 PAGE 2 OF 5 12/2007	BACK VIEW DIMENSIONAL

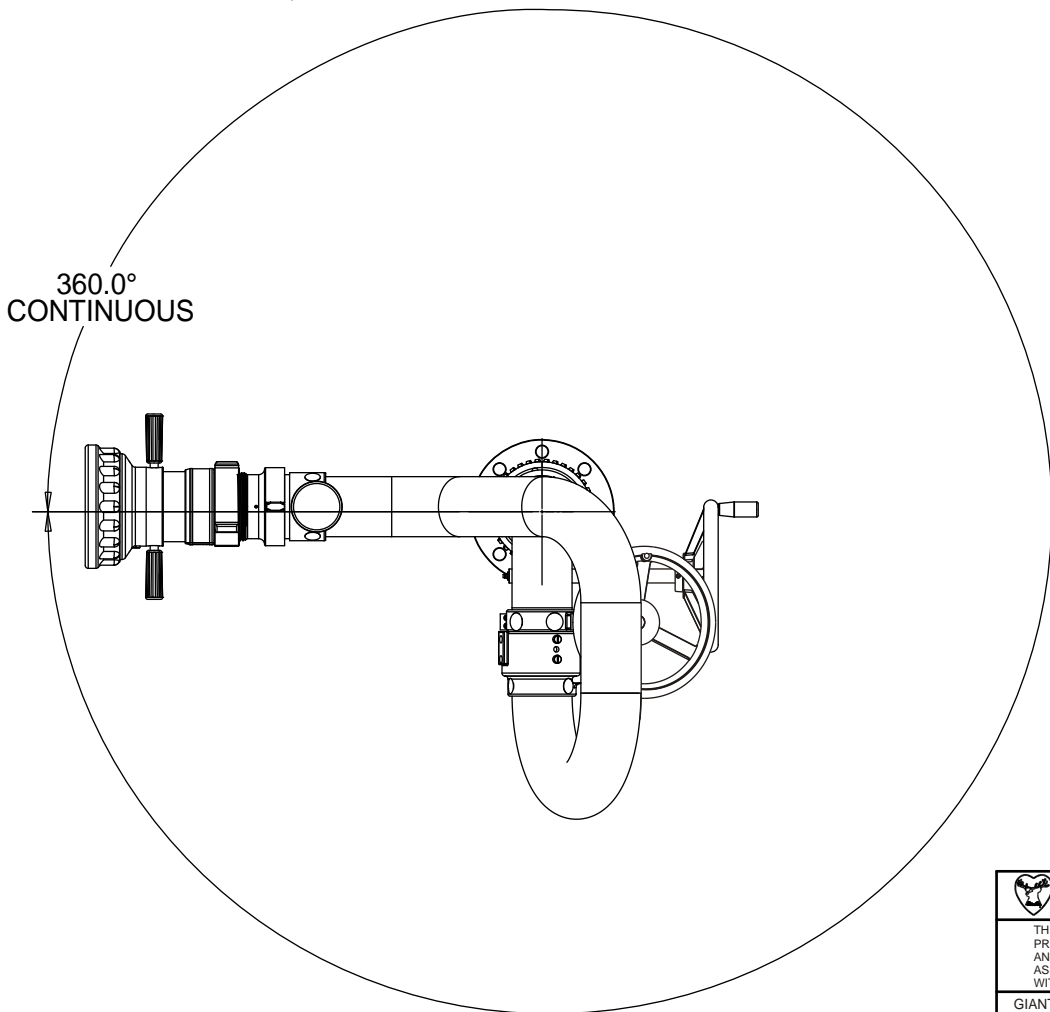
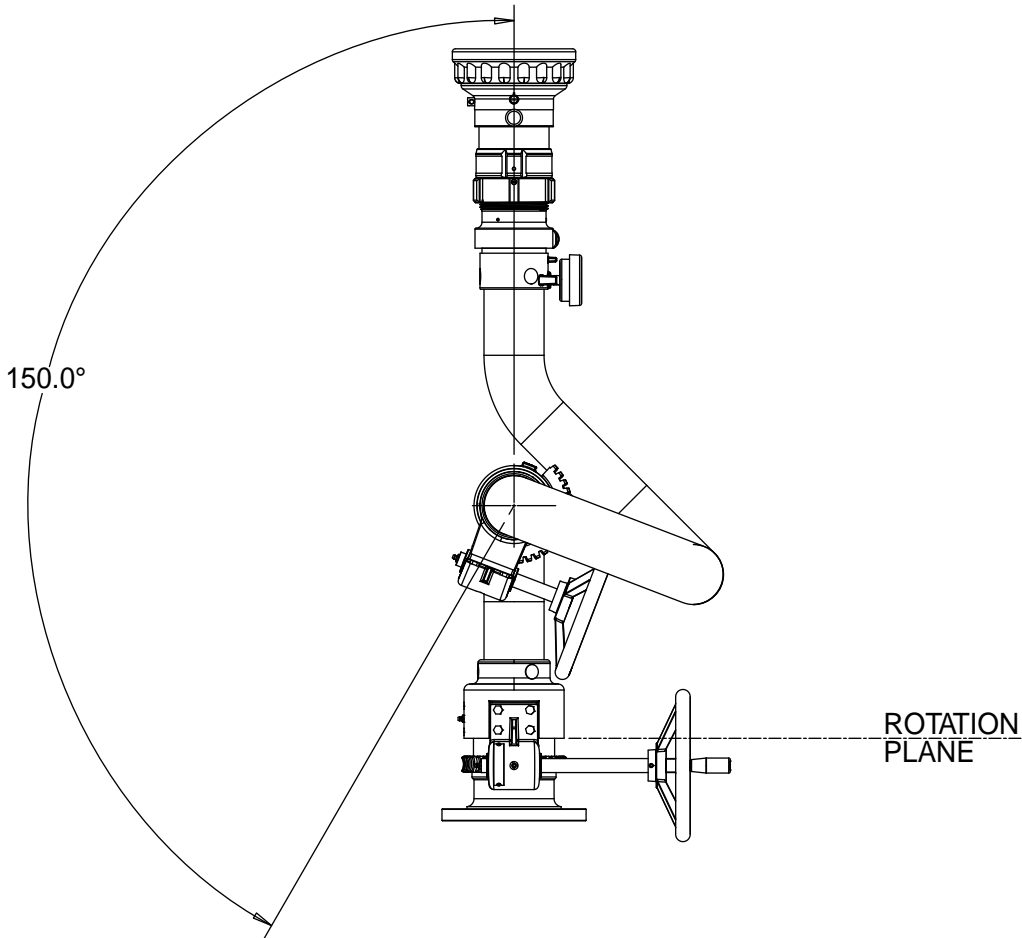


*TYPICAL - SEE INDIVIDUAL NOZZLE DRAWINGS

	ELKHART BRASS MFG. CO., INC. ELKHART, INDIANA	
	<small>THIS DRAWING CONTAINS INFORMATION THAT IS PROPRIETARY TO ELKHART BRASS MFG. CO., INC. AND MAY NOT BE USED TO PRODUCE ANY PARTS, ASSEMBLIES OR PRODUCTS DESCRIBED HEREIN WITHOUT EXPRESS WRITTEN PERMISSION.</small>	
<small>GIANT PYTHON 299-20 PAGE 3 OF 5 12/2007</small>	<small>TOP VIEW DIMENSIONAL</small>	



	ELKHART BRASS MFG. CO., INC. ELKHART, INDIANA
THIS DRAWING CONTAINS INFORMATION THAT IS PROPRIETARY TO ELKHART BRASS MFG. CO., INC. AND MAY NOT BE USED TO PRODUCE ANY PARTS, ASSEMBLIES OR PRODUCTS DESCRIBED HEREIN WITHOUT EXPRESS WRITTEN PERMISSION.	
GIANT PYTHON 299-20 PAGE 4 OF 5 12/2007	SIDE VIEW DIMENSIONAL



DIMENSIONAL ABBREVIATION KEY*

ABBREVIATION	DESCRIPTION
D.L.	Discharge Length
H.H.	Handle Height
H.S.R.	Handle Swing Radius
M.D.L.	Monitor Discharge Length
M.H.	Monitor Height
O.D.L.	Overall Discharge Length
O.H.	Overall Height
O.L.	Overall Length
P.H.	Pivot Height
P.R.	Pivot Radius
R.	Radius
S.D.H.	Stow Down Height
W.	Width

*Not all abbreviations will be used on every drawing



ELKHART BRASS MFG. CO., INC.
ELKHART, INDIANA

THIS DRAWING CONTAINS INFORMATION THAT IS
PROPRIETARY TO ELKHART BRASS MFG. CO., INC.
AND MAY NOT BE USED TO PRODUCE ANY PARTS,
ASSEMBLIES OR PRODUCTS DESCRIBED HEREIN
WITHOUT EXPRESS WRITTEN PERMISSION.

DIMENSIONAL
KEY
2/2008