
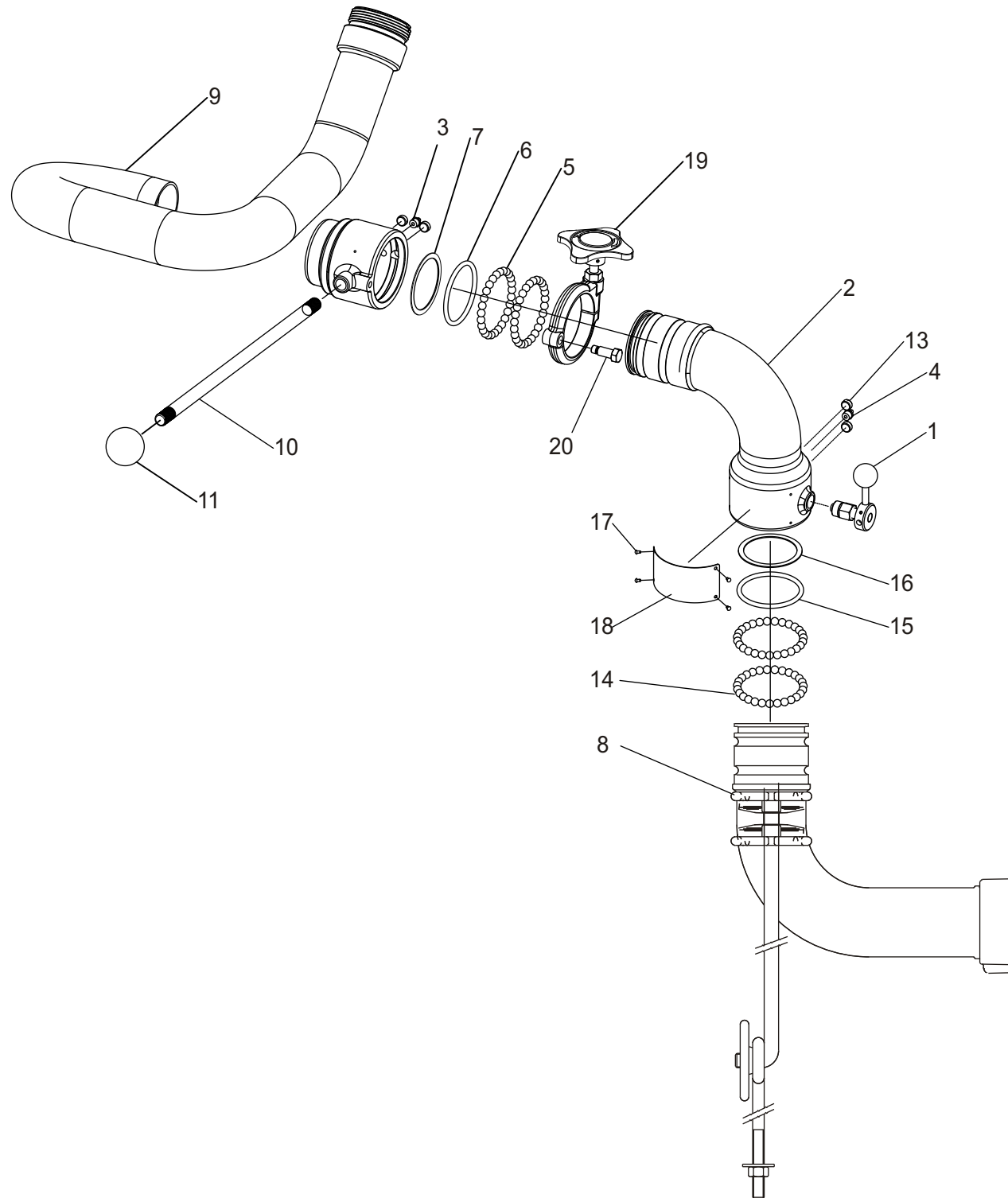


STINGRAY 8393H

PART #	QTY	DESCRIPTION
81019001	1	HANDWHEEL SUB ASS'Y.
16661000	1	BUSHING - HANDWHELL
64042001	1	HANDWHEEL SHAFT
51240000	1	ROLL PIN
63933001	1	GEAR- WORM
16666001	1	BUSHING - SHAFT
51256000	1	ROLL PIN
80964001	1	LOCK - HORZ
15597001	1	BASE - 3" 150# FLANGE
31001000	2	FITTING - ALEMITE
80894001	1	BODY WELDMENT SUB ASS'Y.
61222000	4	SET SCR BRASS
28127001	1	ELBOW
15005000	184	BALL - .250 BRASS
57414000	2	O-RING
16382000	4	CAP SCREW
16424000	2	CAP SCREW
16425000	1	U-BOLT 3.5 W/4 NUTS
16426000	1	U-BOLT 8.0 W/4 NUTS
16427000	1	U-BOLT 10.0 W/4 NUTS
17365001	1	HYDRANT BRACKET
17366001	1	SUPPORT BRACKET
33381000	1	GASKET
47467000	4	HEX NUT
15016000	52	BALL - .187 BRASS
28054001	1	HYDRANT ELBOW
33083000	1	RUBBER GASKET
62919001	1	2.5 NHT SWIVEL

	ELKHART BRASS MFG. CO., INC. ELKHART, INDIANA
THIS DRAWING CONTAINS INFORMATION THAT IS PROPRIETARY TO ELKHART BRASS MFG. CO., INC. AND MAY NOT BE USED TO PRODUCE ANY PARTS, ASSEMBLIES OR PRODUCTS DESCRIBED HEREIN WITHOUT EXPRESS WRITTEN PERMISSION.	
STINGRAY 8393H PAGE 2 OF 4 01/2008	PART LIST



PYTHON 299-11H

INDEX #	PART #	QTY	Description
1	80018001	1	Lock Device Ass'y.
2	16724001	1	Body - Lower
3	61268000	2	Set Screw (Brass)
4	31001000	2	Fitting - Grease
5	15011000	54	0.375 Brass Ball
6	57301000	1	O-Ring
7	33050000	1	Gasket - Teflon
8	80620001	1	Hydrant Elbow Sub Ass'y
9	80448001	1	2.5" Upper Body Sub Ass'y
10	61522001	1	Shaft - Handle
11	42023000	1	Knob - Handle Shaft
12	44001000	1	Label - Not Shown
13	61268000	2	Set Screw (Brass)
14	15011000	54	0.375 Brass Ball
15	57301000	1	O-Ring
16	33050000	1	Gasket - Teflon
17	61215100	4	Drive Screw S/S
18	44349000	1	Label-Python Serial Tag
19	81263001	1	Lock Device Ass'y.
20	16439001	1	Bolt-Shoulder



ELKHART BRASS MFG. CO., INC.
ELKHART, INDIANA

THIS DRAWING CONTAINS INFORMATION THAT IS
PROPRIETARY TO ELKHART BRASS MFG. CO., INC.
AND MAY NOT BE USED TO PRODUCE ANY PARTS,
ASSEMBLIES OR PRODUCTS DESCRIBED HEREIN
WITHOUT EXPRESS WRITTEN PERMISSION.

PYTHON 299-11H
PAGE 4 OF 4
12/2007

PART
LIST