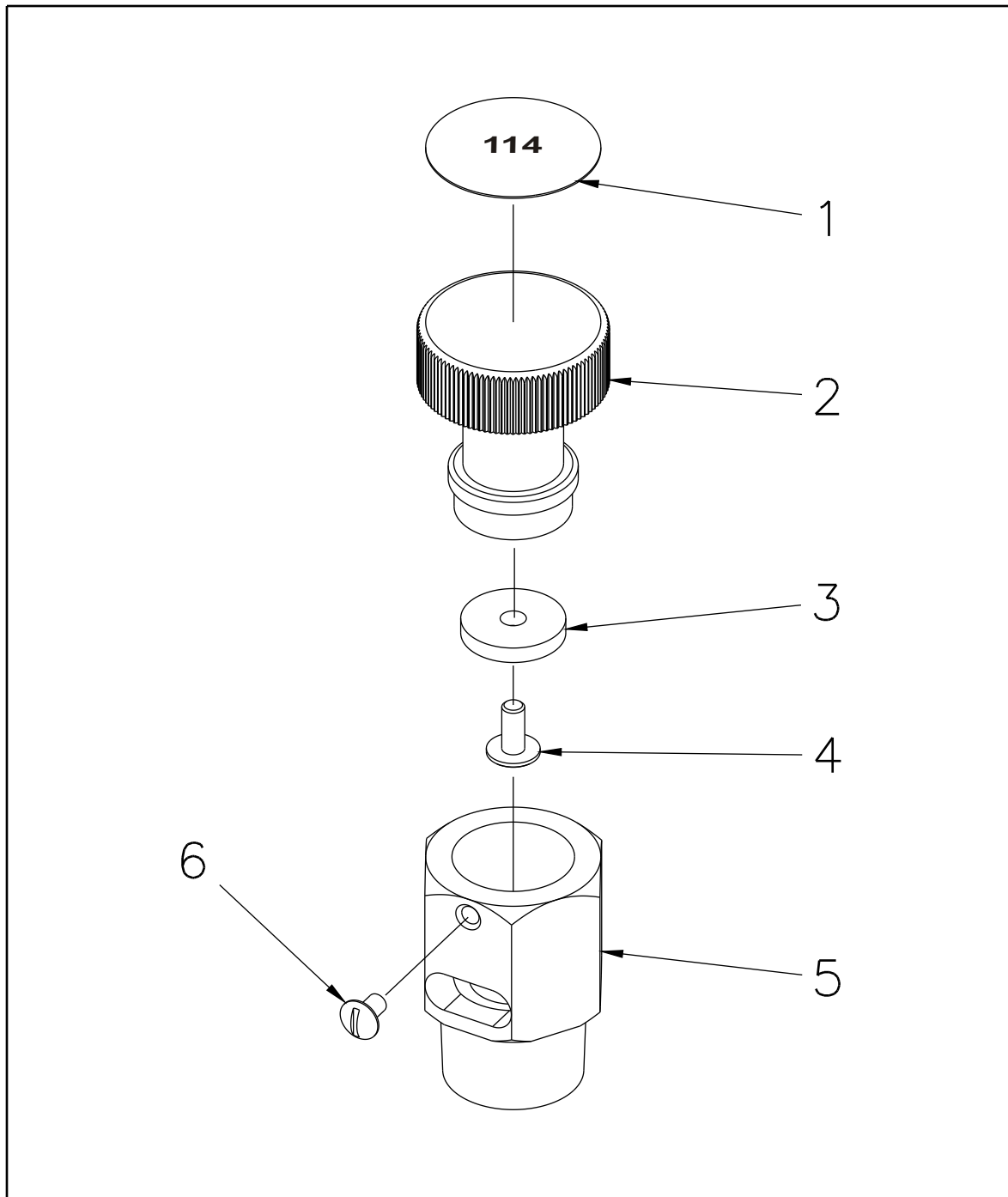
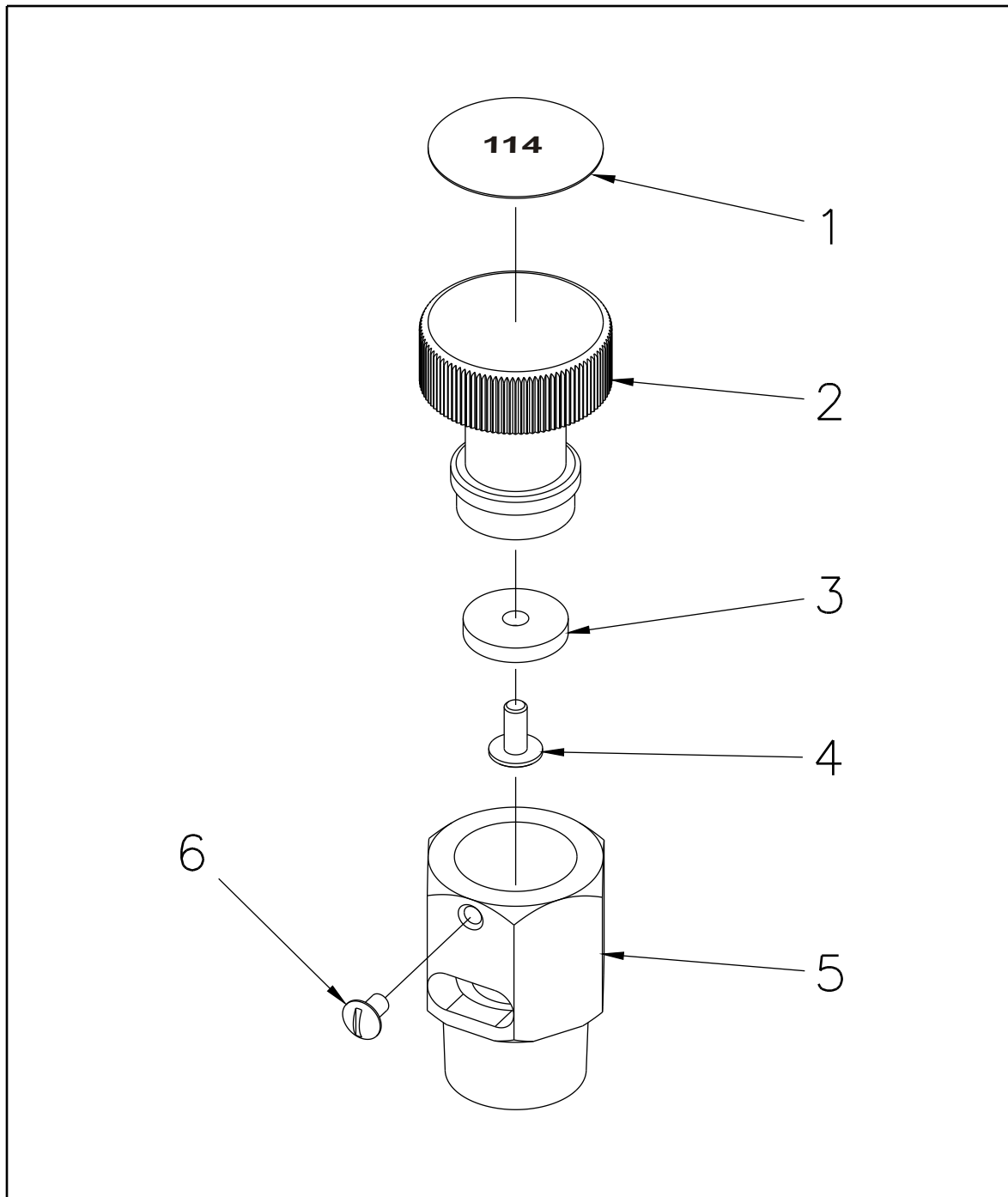


INDEX NO.	PART NO.	DESCRIPTION	QTY.
1	42026000	Handle Push Knob	1
2	61551000	Push-Pull Rod (2 1/4")	1
For Optional Push Pull Lengths			
2	61552001	Push-Pull Rod (4 3/8")	1
2	61553001	Push-Pull Rod (3")	1
2	61554001	Push-Pull Rod (1 1/2")	1
3	57591000	Ring-Retaining	1
4	57341000	O-Ring (AS-568-115)	2
5	51340000	Piston (Drain Valve)	1
6	16272001	Drain Valve Body	1



INDEX NO.	PART NO.	DESCRIPTION	QTY.
1	44213000	Label Drain Valve	1
2	63951000	Stem Valve (Alum)	1
3	33242000	Gasket-Rubber	1
4	61170000	Screw-Mach (.375-lg)	1
5	16944000	Body-Valve (Alum)	1
6	61169000	Screw-Mach (.250-lg)	1

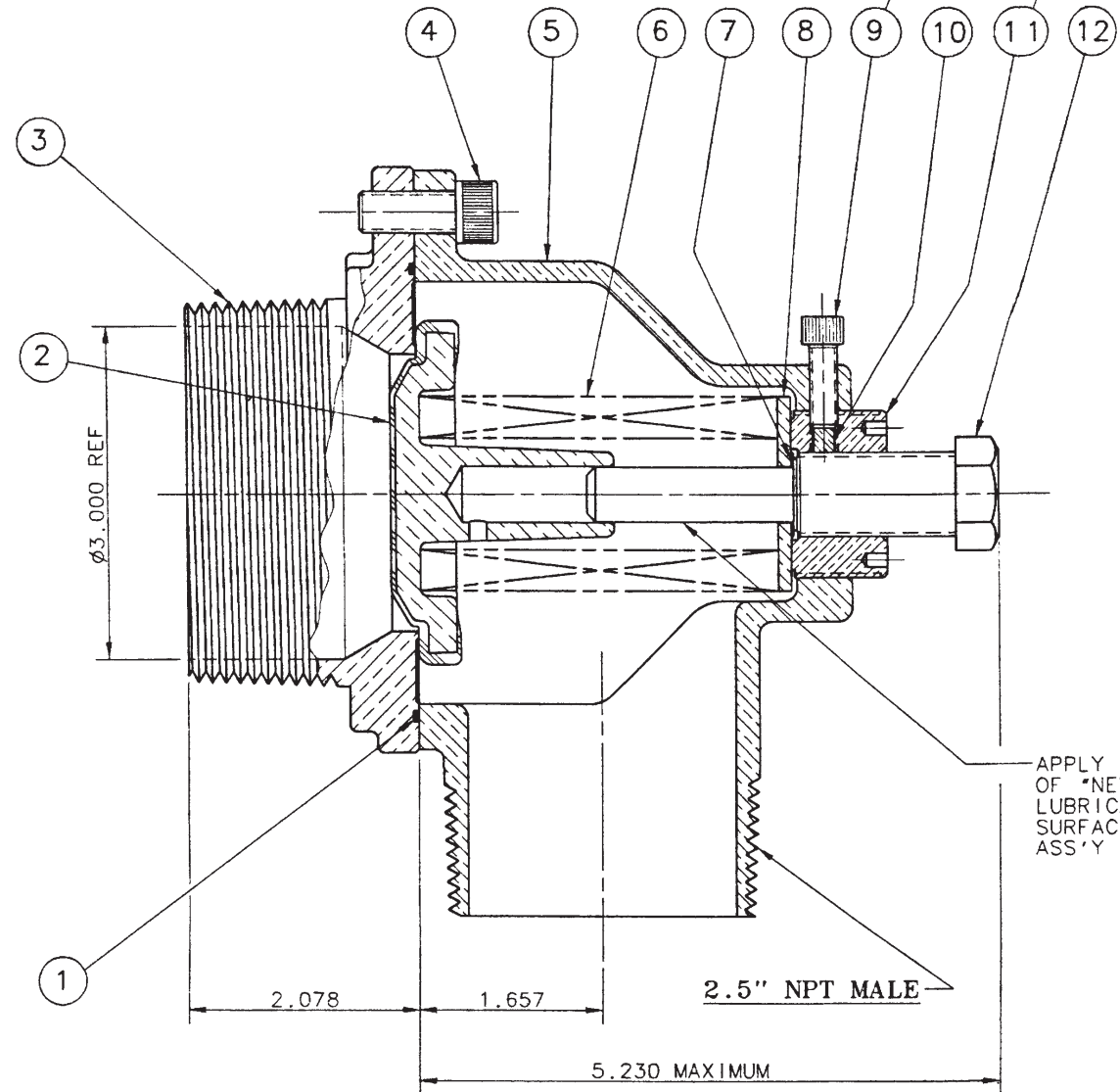


INDEX NO.	PART NO.	DESCRIPTION	QTY.
1	44213000	Label Drain Valve	1
2	63965001	Stem Valve (Brass)	1
3	33242000	Gasket-Rubber	1
4	61170000	Screw-Mach (.375-lg)	1
5	16979001	Body-Valve (Brass)	1
6	61169000	Screw-Mach (.250-lg)	1

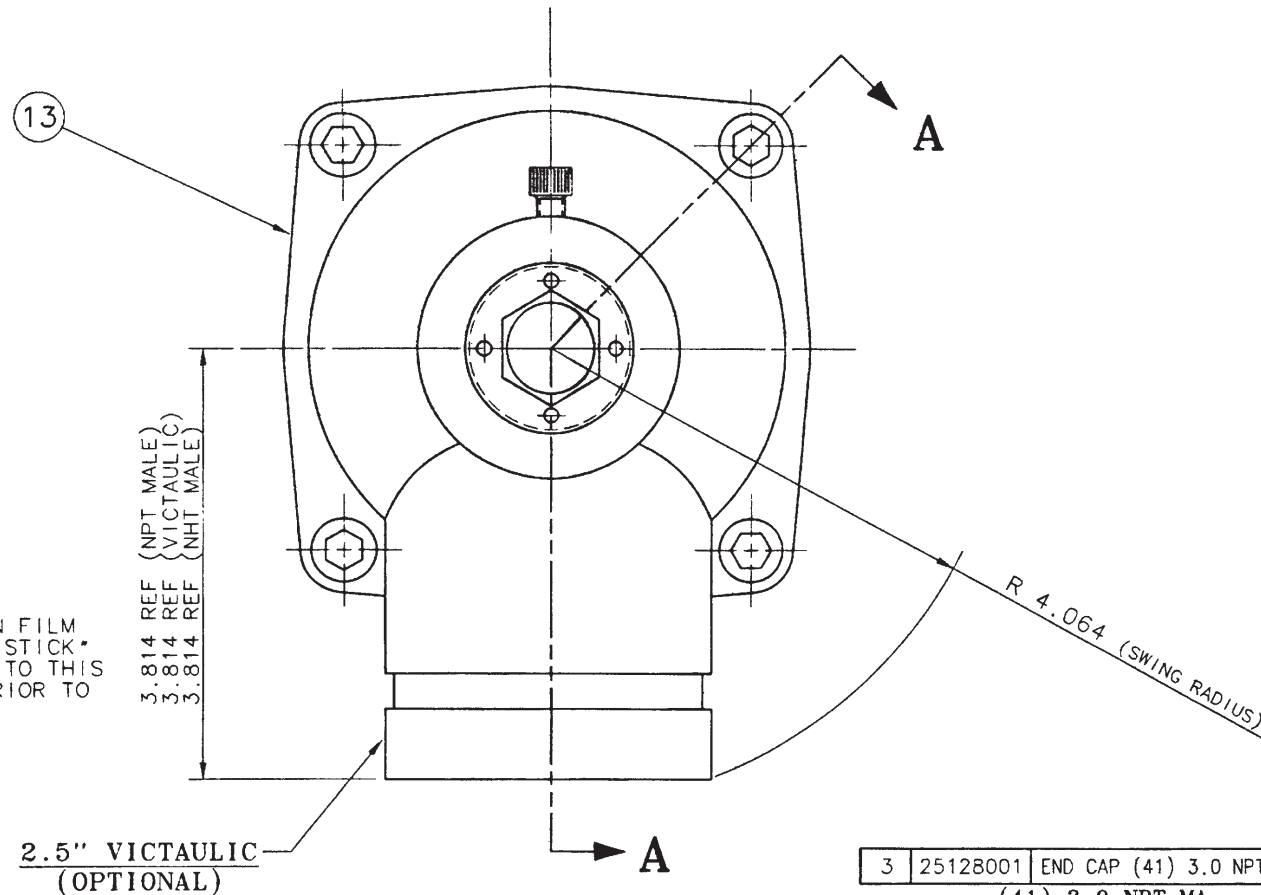
SHEET 1 OF 2

USING PREDRILLED HOLE IN BONNET AS A GUIDE #7(.201)DR. & 0.250-20 TAP THRU IN ASS'Y.

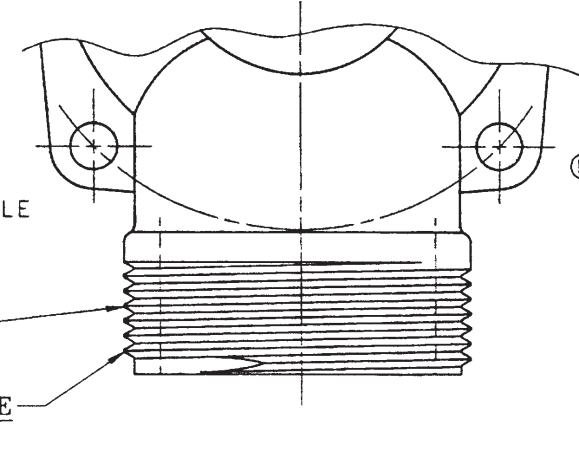
SET FOR 75 PSI OPENING PRESSURE BEFORE DRILLING.



SECTION A-A



2.5" VICTAULIC (OPTIONAL)



2.5" NHT MALE (OPTIONAL)

MEETS N.F.P.A. 1901

NOTE: THE END CAPS SUPPLIED WITH THE #40 VALVE ARE NOT INTERCHANGEABLE WITH ANY OTHER APPARATUS VALVE.

ADJUSTING INSTRUCTIONS

NOTE: THIS VALVE IS FACTORY SET FOR AN OPENING PRESSURE OF 125 PSIG.

- 1) RELEASE LOCKING SCREW (ITEM #9) ONE TURN.
- 2) ZERO ADJUSTING SCREW (ITEM #12) BY BACKING IT OUT 3 FULL TURNS AND THEN TURNING IT BACK UNTIL FIRST CONTACT WITH SPRING MECHANISM CAN BE FELT.
- 3) CONSULT THE CHART BELOW FOR THE ADJUSTMENT SETTING FOR THE DESIRED OPENING PRESSURE.
- 4) TIGHTEN LOCK SCREW (ITEM #9) TO LOCK ADJUSTING SCREW (ITEM #12) AT THE DESIRED SETTING.

NO. OF 360° TURNS FROM ZERO	0	1	2	3	4	5	6	7	8	9	FULLY DOWN
OPENING PRESSURE (PSIG)	75	103	126	148	170	191	209	230	250	269	281

©	14	17749001	VALVE BONNET 2.5" NHT MALE	1
Ⓐ	13	16998001	VALVE BONNET 2.5" VICTAULIC	1

OPTIONAL VALVE BONNETS

3	25128001	END CAP (41) 3.0 NPT MA	1
(41) 3.0 NPT MA. ITEM NUMBER(01667001)			

12	16422001	ADJUSTING SCREW	1
11	16672001	ADJUSTMENT BUSHING	1
10	51020001	PELLET-LOCKING (BRS)	1
9	61061000	CAP SCREW SOC. HD. 5/8 0.250-20 X 0.750 LG. SOC. HD.	1
8	71130001	TENSION WASHER	1
7	71189000	THRUST WASHERS	2
6	62123000	COIL SPRING	1
5	16981001	VALVE BONNET 2.5" NPT	1
4	63790000	MACH. SCREW S/S SOC. HD 0.375-16 X 0.875 LG.	4
2	52196101	VULCANIZED PISTON	1
1	57456000	O-RING (AS-568-045) 3.989-1D X 0.070-C/S	1

ITEM NUMBER (01667001) #40 REV.C

NO.	PART NO.	PART NAME	REQ.
<p>ELKHART BRASS MFG. CO., INC. ELKHART, INDIANA</p> <p>"BRASS" PRESSURE RELIEF VALVE ADJUSTABLE FROM 75 PSI TO 250 PSI</p>			
DRN BY	TAB	SCALE	FULL DATE 10/23/90
CHKD BY	RDM	CAT. NO.	40
REV.	WAS	BY	E.C.N.
MATERIAL:		STANDARD TOLERANCE 3 PLACE DEC. - ±.010 4 PLACE DEC. - ±.005 ANGLES - ± 0°30'0"	DRWG. SIZE C
		CADAM™	REMOVE ALL BURRS AND SHARP CORNERS UNLESS OTHERWISE SPECIFIED DO NOT SCALE PRINT

#40 (New Style)

September, 2002

SHEET 1 OF 2

PART NO.	QUANTITY PER UNIT	DESCRIPTION
57456	1	"O" Ring
52196	1	Vulcanized Piston
63790	4	Machine Screw
16981	1	Valve Bonnet (2.5" NPT)
17749	1	Valve Bonnet (2.5" NHT)
16998	1	Valve Bonnet (2.5" Victaulic)
62123	1	Coil Spring
71189	2	Thrust Washer
71130	1	Tension Washer
61061	1	Cap Screw
51020	1	Brass Pellet
16672	1	Adjustment Bushing
16422	1	Adjusting Screw
25128	1	End Cap, 3.0" NPT, (#41 End Cap)

SHEET 2 OF 2

25123	1	End Cap, 2.5" O-B/G	} (#10 End Cap)
61222	1	Set Screw	
33083	1	Swivel Gasket	
62919	1	2.5" B/G Swivel	
15016	52	.187" Brass Ball	
62726	1	2.5" Strainer	} (#20 End Cap)
25124	1	End Cap, Waterous & Hale	
25125	1	End Cap, Darley	} (#32 End Cap)
25126	1	End Cap, 2.5" Male	
51890	1	Pipe Plug, .250"	
51881	1	Pipe Plug, .750"	
25127	1	End Cap, 2.5" NPT	} (#40 End Cap)

END CAP #32
2.5-7.5 NH MALE WITH
0.250 NPT GAGE TAP &
0.750 DRAIN TAP

END CAP #40
2.5 NPT MALE

END CAP #10
2.5-7.5 NH SWIVEL
W/ STRAINER

END CAP #20
WATEROUS & HALE
FLANGE

END CAP #22
DARLEY PUMP
FLANGE

SHEET 2 OF 2

NO.	PART NO.	PART NAME	REQ.
12	25127001-B	CAP-END 2.5 NPT MALE	1
	(40)	2.5 NPT MALE	
11	51881000-A	PIPE-PLUG .250" Ø	1
10	51890000-A	PIPE-PLUG .750" Ø	1
9	25126001-B	CAP-END 2.5 NH MALE	1
	(32)	2.5-7.5 NH MALE	
8	25125001-B	CAP-END DARLEY PUMP FLANGE	1
	(22)	DARLEY PUMP FLANGE	
7	25124001-B	CAP-END WATEROUS & HALE	1
	(20)	WATEROUS & HALE	
6	62726000-A	STRAINER 2.5 SUCTION	1
	(01667101)		
5	15016000-A	BALLS - 0.187 BRASS	52
4	62919001-B	SWIVEL-B/G 2.5 NH R/L	1
3	33083000-A	GASKET-RUBBER 2.5" Ø X 2.566" ID X 1.187" THK	1
2	61222000-A	SET-SCREW 0.250 X 0.187-1.6	1
1	25123001-B	CAP-END (2.5 O-B/G)	1
	(10)	2.5-7.5 NH SWIVEL WITH STRAINER	

ELWARTH BRASS WORK CO., INC.
PRESSURE RELIEF VALVE ADJUSTABLE
FROM 75 PSI TO 250 PSI

DATE: 10/23/20
SCALE: 4:1
CADD: 40

DESIGNED BY: [Signature]
CHECKED BY: [Signature]
APPROVED BY: [Signature]