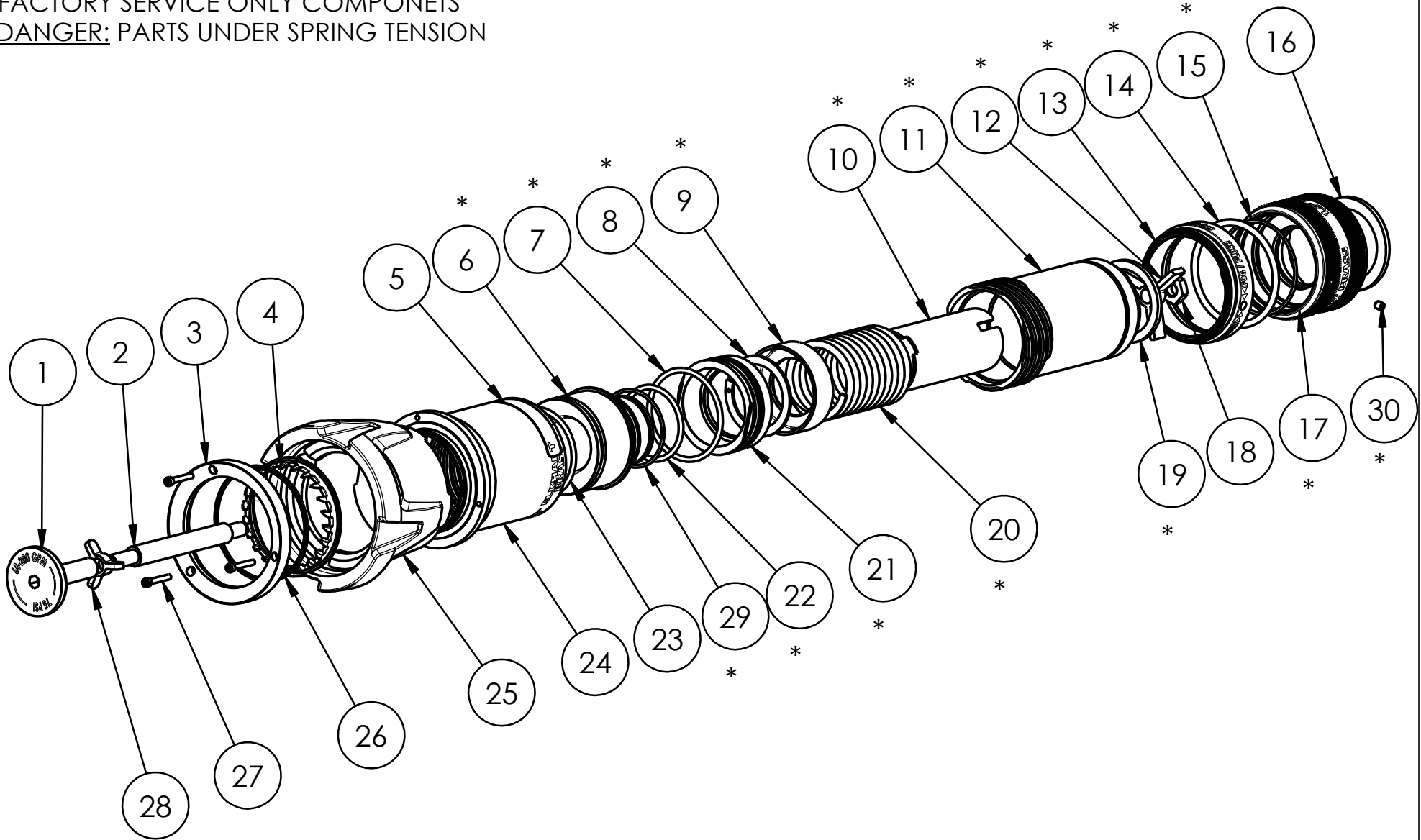




* FACTORY SERVICE ONLY COMPONENTS
DANGER: PARTS UNDER SPRING TENSION



VISIT OUR WEBSITE FOR REPAIR VIDEOS
www.ElkhartBrass.com

 ELKHART BRASS Fire Fighting Equipment	
THIS DRAWING CONTAINS INFORMATION THAT IS PROPRIETARY TO ELKHART BRASS MFG CO., INC. AND MAY NOT BE USED TO PRODUCE ANY PARTS, ASSEMBLIES OR PRODUCTS DESCRIBED HEREIN WITHOUT EXPRESS WRITTEN PERMISSION	
SM XD MID LP TIP-EXPLODED (60-200@75) PAGE 1 OF 2	EXPLODED DRAWING

ITEM NO.	PART NUMBER	DESCRIPTION	Default/QT Y.
1	69096007	STEM-HEAD	1
2	69097007	STEM SHAFT	1
3	57638007	RING-TEETH RETAINING	1
4	58986001	RING - TEETH (SPINNING)	1
5	44789000	LABEL- PRODUCT DATA	1
6	18131007	BARREL-CENTER (MID)	1
7	57420000	O RING AS-568-134 1.862 X.103	1
8	58940000	RING-RETAINING (EXTERNAL)	1
9	63579001	SPACER	1
10	61637001	SLEEVE	1
11	18285007	BODY (BASE) NOZZLE	1
12	63392001	STEM BASE WEB	1
13	59145507	RING - RETAINING (TIP)	1
14	57381000	O RING AS-568-227 2.109 X.139	1
15	57422000	O RING AS-568-033 1.989 X.070	1
16	33074000	GASKET-RUBBER 2.062X1.562X.125TH	1
17	11390007	ADAPTER-INLET TIP SM XD MID	1
18	47709000	NUT HEX 0.312-24 NF SS	1
19	71113000	WASHER REINFORCING	1
20	61780000	SPRING-COIL	1
21	17236007	BODY-TIP	1
22	57398000	O RING AS-568-128 1.487 X.103	1
23	57334000	O RING AS-568-133 1.799 X.103	1
24	66468507	TIP - NOZZLE	1
25	338850XX	GRIP - HAND (BUMPER)	1
26	59194000	RING-WEAR	1
27	64069000	SCREW 4-40X0.750 SOC CAP SS	3
28	33715000	GUIDE - STEM	1
29	57441000	O RING AS-568-030 1.614 X.070	1
30	65209000	SCREW 8-32X0.187 SOC SETCUP SS	1

 ELKHART BRASS Fire Fighting Equipment	
<small>THIS DRAWING CONTAINS INFORMATION THAT IS PROPRIETARY TO ELKHART BRASS MFG CO., INC. AND MAY NOT BE USED TO PRODUCE ANY PARTS, ASSEMBLIES OR PRODUCTS DESCRIBED HEREIN WITHOUT EXPRESS WRITTEN PERMISSION</small>	
SM XD MID LP TIP-EXPLODED PAGE 2 OF 2	XXXX DRAWING