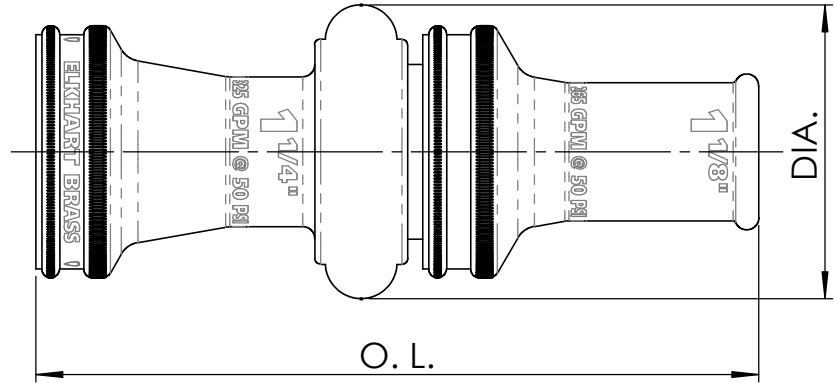


**ST-185-XD**



**ST-185-XD-IFD (SHOWN) & ST-185-XD-CAFS**

**DIMENSIONAL TABLE**

MODEL	TYPE	DISCHARGE DIA.		(IN INCHES)			WEIGHT (LBS.)
		1ST	2ND	BASE SIZE	OVERALL LENGTH (O. L.)	OVERALL DIA. (DIA.)	
ST-185-XD	DOUBLE STACKED SMOOTH BORE TIP	7/8"	1/2"	1.5	6.61	2.63	0.76
		15/16"					0.74
		1-1/8"					0.78
		1-3/16"					0.76
ST-185-XD-IFD	DOUBLE STACKED SMOOTH BORE TIP	1-1/4"	1-1/8"	1.5	7.53	3.19	1.30
ST-185-XD-CAFS	DOUBLE STACKED SMOOTH BORE TIP	1-1/8"	15/16"	1.5	7.53	3.19	1.39

**ELKHART BRASS**  
 Fire Fighting Equipment  
 THIS DRAWING CONTAINS INFORMATION THAT IS PROPRIETARY TO ELKHART BRASS MFG CO., INC. AND MAY NOT BE USED TO PRODUCE ANY PARTS, ASSEMBLIES OR PRODUCTS DESCRIBED HEREIN WITHOUT EXPRESS WRITTEN PERMISSION

ST-185-XD (DIMENSIONAL)  
 PAGE 1 OF 1  
 08/16/2017

DIMENSIONAL  
 DRAWING