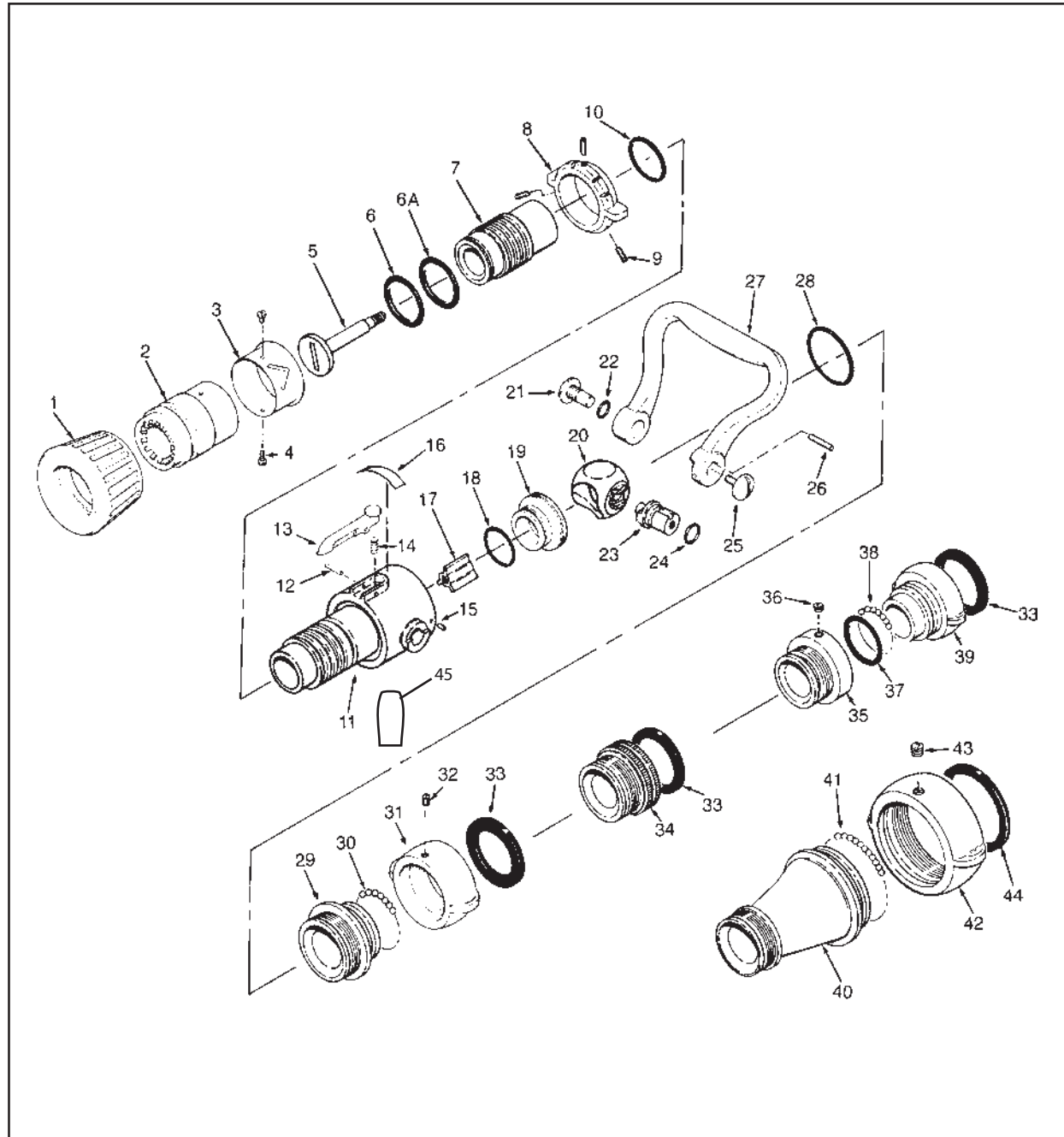


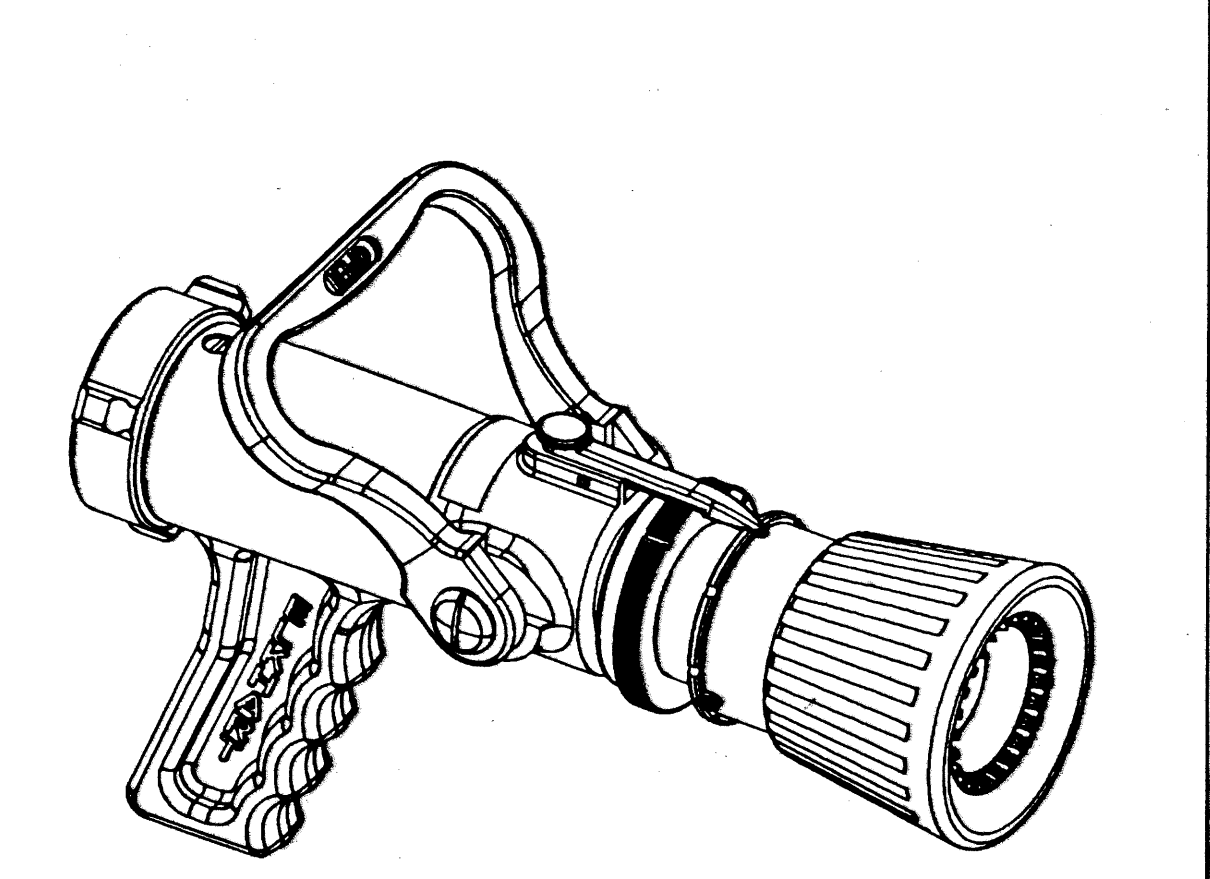
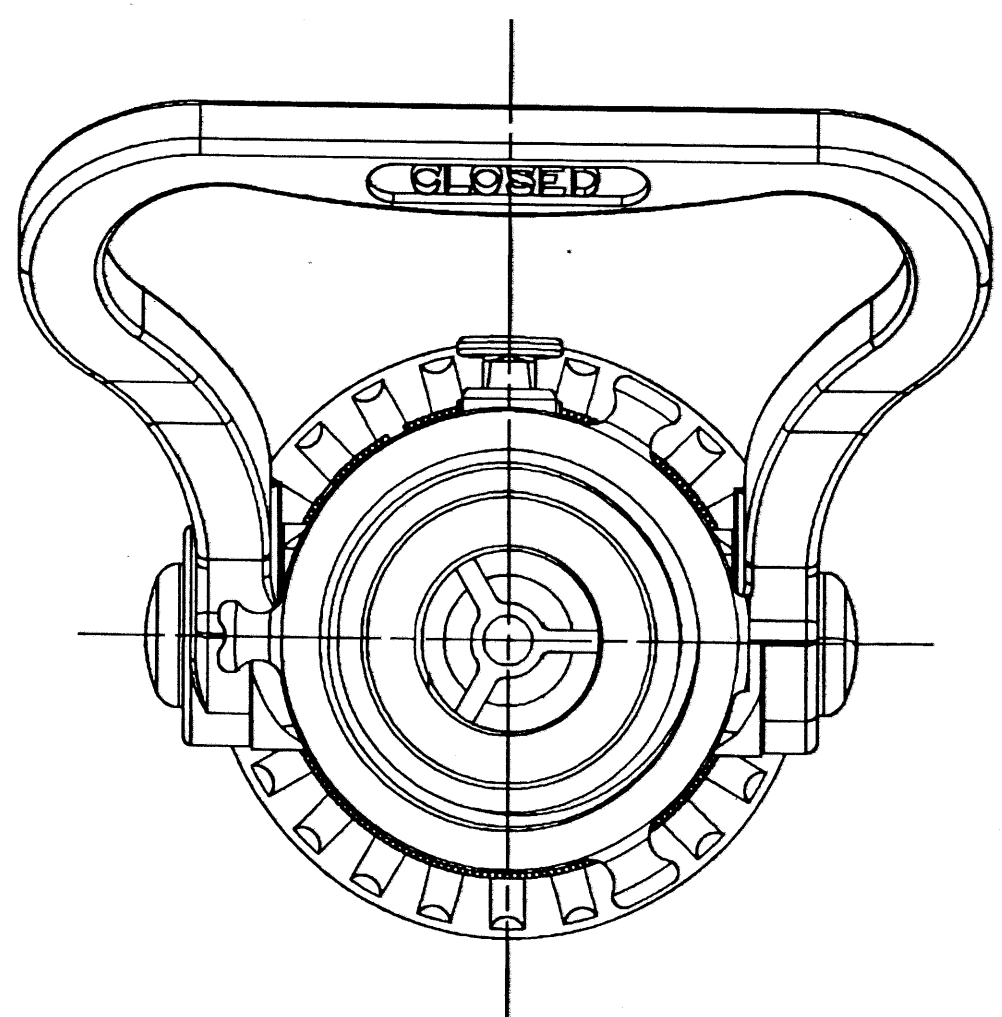
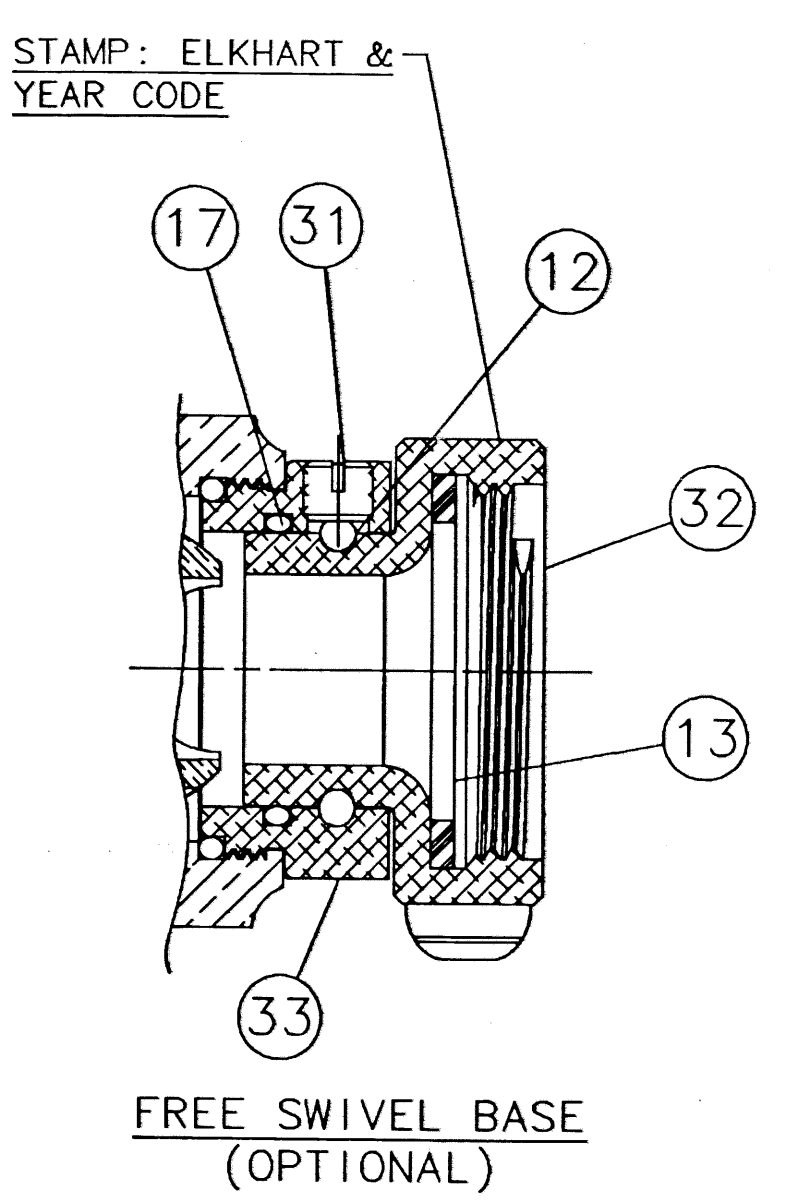
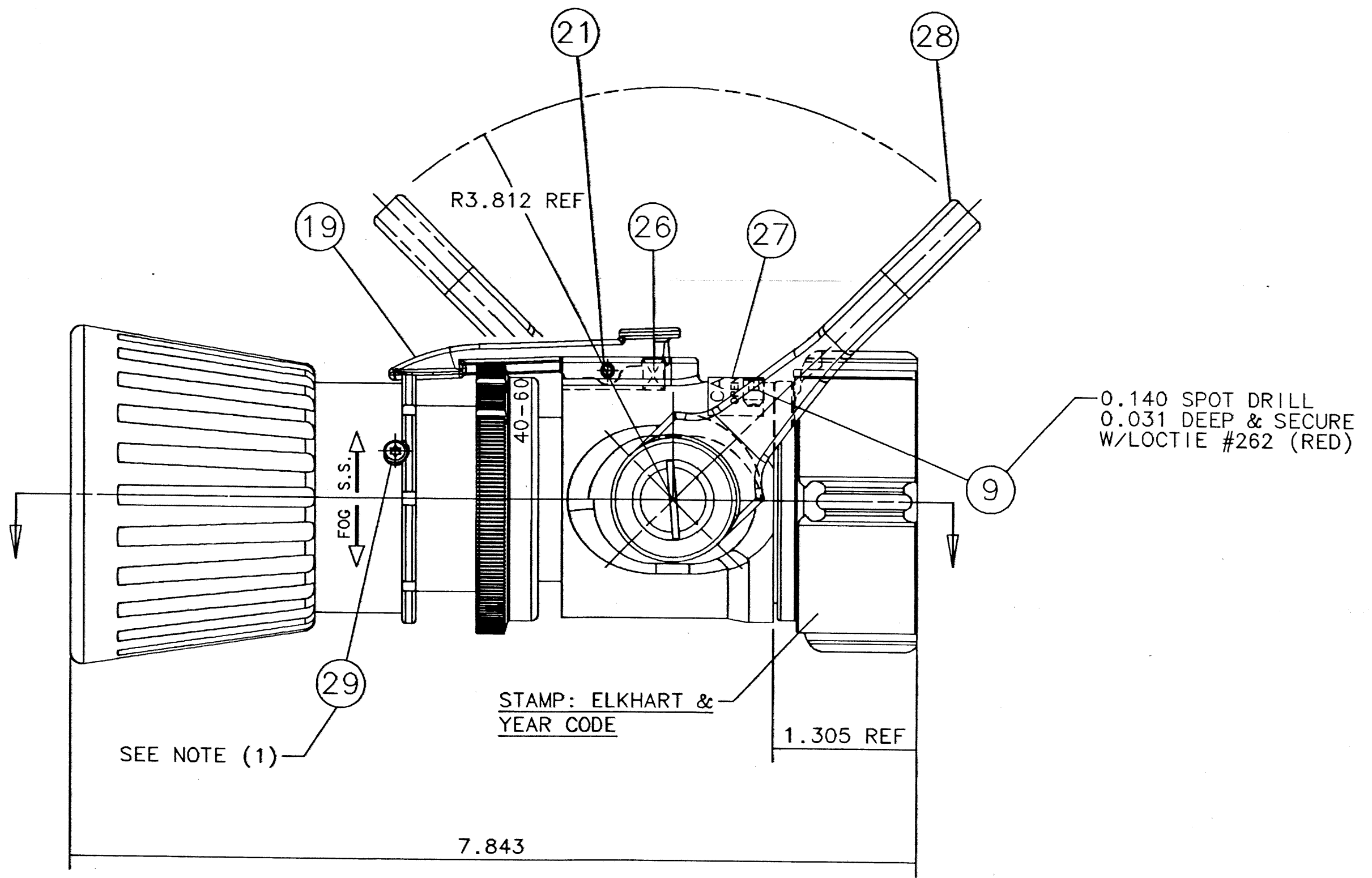
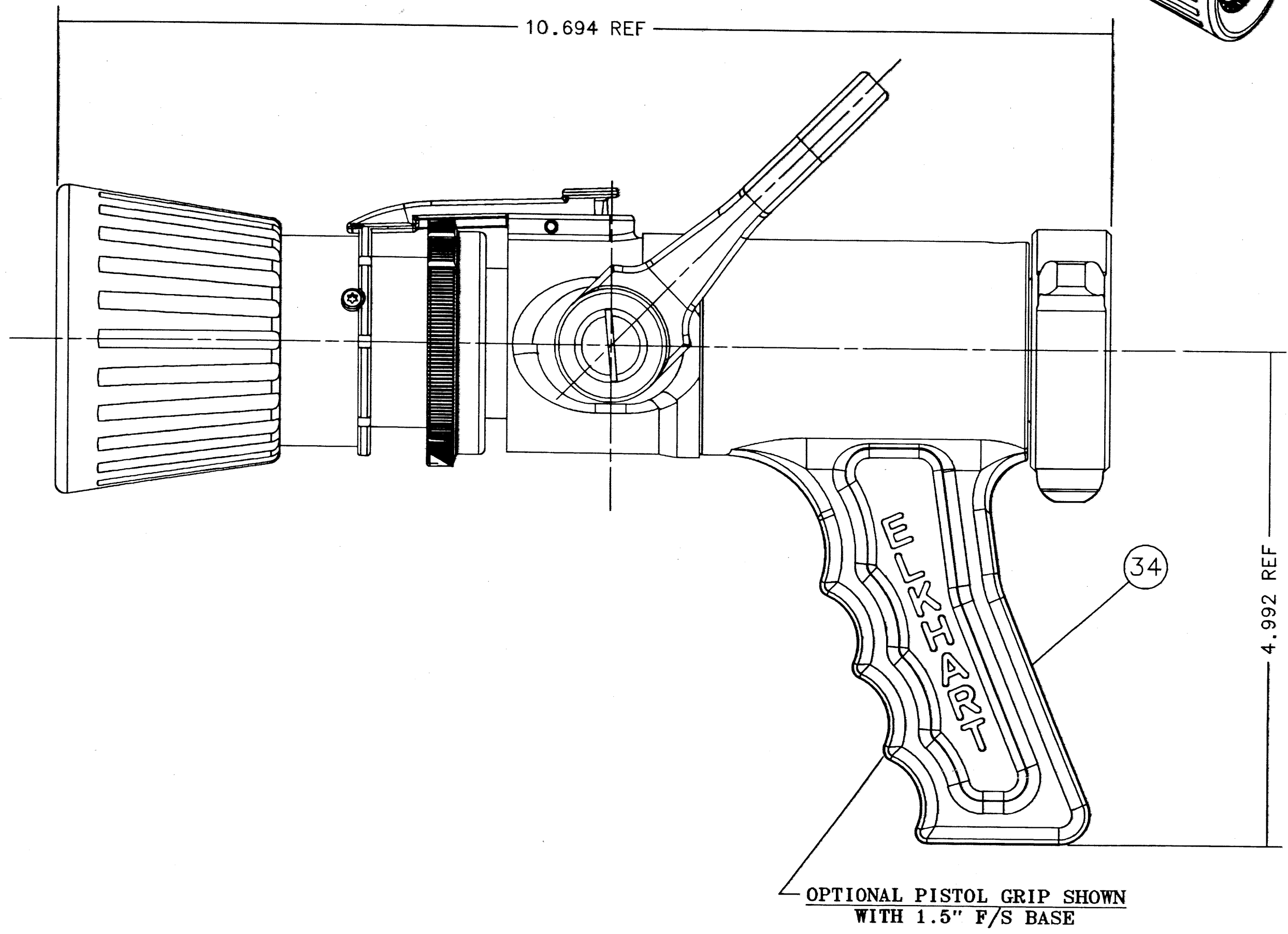
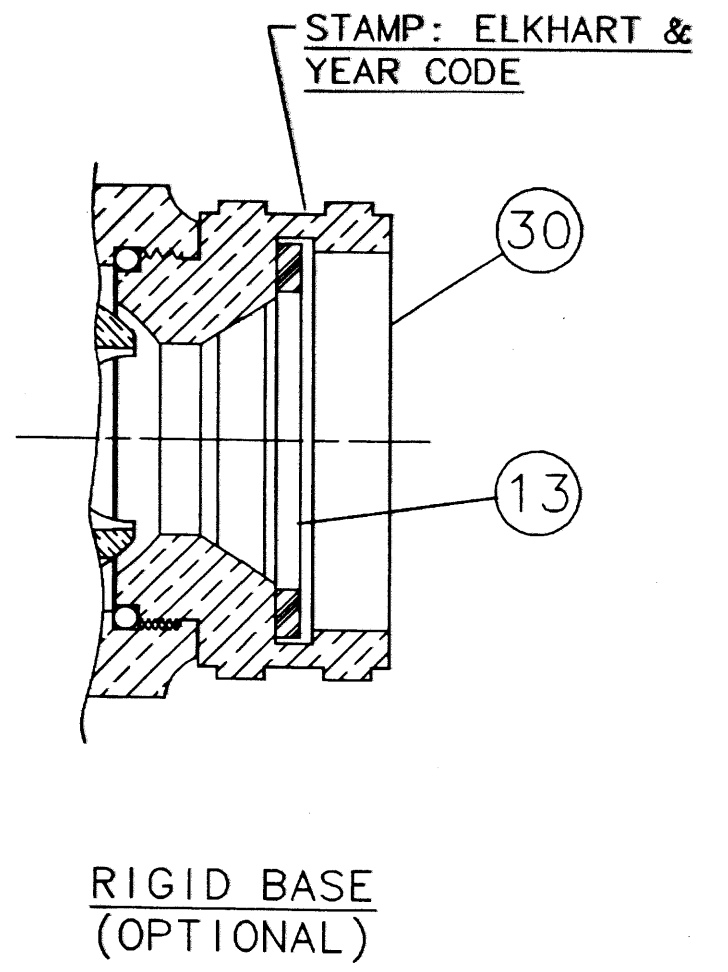
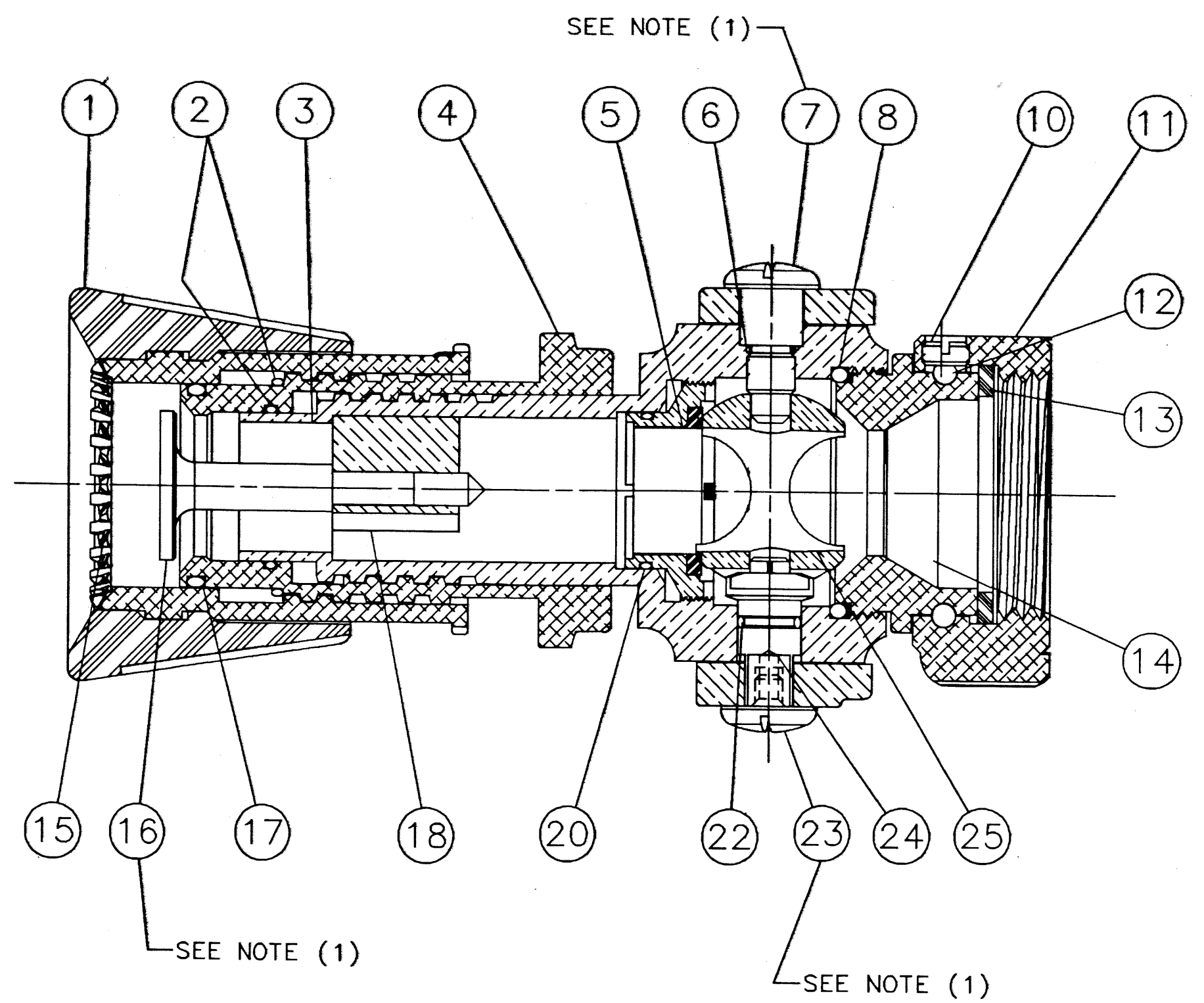
SF & DSF

September, 2002

INDEX NO.	PART NO.	QTY. REQ.	DESCRIPTION
1	33648	1	Rubber Bumper
2	66260	1	Nozzle Tip
3	61660	1	Indicator Sleeve
4	61145	2	Machine Screw
5	62018	1	Stem Head
6	57360	1	"O" Ring
6A	57429	1	"O" Ring
7	15169	1	Center Barrel
8	57229	1	Gallonage Ring
9	63693	3	Socket Hd. Set Screw
10	57330	1	"O" Ring
11	15918	1	Nozzle Body
12	51243	1	Roll Pin
13	44066	1	Locking Lever
14	61762	1	Coil Spring
15	63685	1	Body Set Screw
16	44245	1	Caution Label
17	63385	1	Stem Base
18	57330	1	"O" Ring for Adjustable Seat
19	61358	1	Adjustable Seat
20	17304	1	Ball
21	63708	1	Handle Pivot Screw
22	57348	1	"O" Ring for Pivot Screw
23	61475	1	Actuator Shaft
24	57298	1	"O" Ring for Actuator Shaft
25	61286	1	Actuator Shaft Screw
26	51068	1	Drive Pin
27	36073	1	Horseshoe Handle
28	57310	1	"O" Ring for Base Adapter
29	10019 *	1	Base Adapter
30	15016 *	32	.187" Diam. Brass Ball
31	62960 *	1	1.5" R/L Swivel
32	61222 *	1	Swivel Set Screw
33	33074 *	1	Swivel Gasket
34	15380 **	1	1.5" Rigid Base
35	10002 †	1	F/S Base Adapter
36	61221 †	1	F/S Set Screw
37	57317 †	1	"O" Ring
38	15016 †	32	.187" Diam. Brass Ball
39	15366 †	1	1.5" R/L Free Swivel
40	15225 ††	1	Base Adapter
41	15016 ††	52	.187" Diam. Brass Ball
42	62916 ††	1	2.5" R/L Swivel
43	61222 ††	1	Swivel Set Screw
44	33083 ††	1	Swivel Gasket
45	44607	1	DSF Label

* Standard Swivel Base Parts for SF
 ** Optional Rigid Parts for SF
 † Optional Free Swivel Parts for SF
 †† Standard Swivel Base Parts for DSF





34	80358001	PISTOL GRIP SUB-ASSY 1.5" NHT BRASS	1
P/N(00042004) OPTIONAL PISTOL GRIP			
33	11607001	ADAPTER BASE	1
32	16762001	BASE-SWIVEL (1.5" NHT)	1
31	63675000	SCREW-SET 0.375-24 X 0.375-LG, SLT, HD	1
17	57336000	RING-O (AS-568-127) 1.437-ID X 0.093-C/S	1
13	33074000	GASKET-RUBBER 2.062-OD X 1.562-ID X .0125-THK	1
12	15018000	BALLS-0.187 DIA S/S	23
FREE SWIVEL BASE (OPTIONAL)			
30	15378001	BASE ADAPTER (RIGID) KNURLED 1.5" NHT BRASS	1
13	33074000	GASKET-RUBBER 2.062-OD X 1.562-ID X .0125-THK	1
RIGID BASE (OPTIONAL)			
14	11606001	BASE ADAPTER (ALUM)	1
13	33074000	GASKET-RUBBER 2.062-OD X 1.562-ID X .0125-THK	1
12	15018000	BALLS-0.187 DIA S/S	32
11	63068001	SWIVEL B/G (1.5" NHT)	1
10	63674000	SCREW-SET 0.375-24 X .250-LG, SLT HD	1
SWIVEL BASE (STANDARD)			
9	61269000	SCREW-SET (S/S) CUP POINT #10-32 X 0.250-LG, SOC HD.	1
8	57309000	RING-O (AS-568-224) 1.734-ID X 0.139-C/S	1

LOOSE PARTS USE WITH ALL BASES			
29	65129000	TORX SCREW (S/S) #4-40 X 0.187-LG, PAN HD	2
28	36085004	HANDLE-HORSHU	1
27	15076000	BALL-CELCON (1.0")	1
26	44245000	LABEL-CAUTION (WATER/HAMMER)	1
25	63755000	SHAFT-ACTUATOR (SQ.)	1
24	61286000	SCREW-ACT. SHAFT (S/S)	1
23	61762000	SPRING-COIL	1
22	57298000	RING-O (AS-568-012) 0.364-ID X 0.070-C/S	1
21	51243000	PIN-ROLL (S/S) 0.125-D X 0.562-LG X 0.028-THK	1
20	57327000	RING-O (AS-568-024) 1.114-ID X 0.070-C/S	1
19	44064004	LEVER-LOCKING CP	1
18	61829001	STEM-BASE	1
17	57336000	RING-O (AS-568-127) 1.437-ID X 0.093-C/S	1
16	62008001	STEM-NOZZLE	1
15	66334001	TIP-NOZZLE	1
7	63708000	SCREW-HANDLE PIVOT (S/S)	1
6	57348000	RING-O (AS-568-010) 0.239-ID X 0.070-C/S	1
5	61357000	SEAL-ADJUSTABLE	1
4	16908001	CENTER-BARREL (ALUM)	1
3	16896004	BODY-NOZZLE	1
2	57337000	RING-O (AS-568-025) 1.187-ID X 0.082-C/S	2
1	33647000	HAND-GRIP (BLACK)	1

NO.	PART NO.	PART NAME	REQ.
ELKHART BRASS MFG. CO., INC. ELKHART, INDIANA 1.5" SELECT-O-FLOW LEADER LINE NZL. 40-125 G.P.M. (100 P.S.I.) W/OPT. P/G			
CREATED 3D ASSEMBLY MODEL	LSP	0712	02
REVISED AND REDRAWN ON SDRC	WAS	BY	E.C.N.
DRN BY	R.MILLER	SCALE	FULL
DATE	3/21/81	DRWG. SIZE	D
DRN BY	KLP	DATE	
STANDARD TOLERANCE	SFL-O, SFL-OG		
3 PLACE DEC. = 0.010			
4 PLACE DEC. = 0.005			
ANGLES = 30°/30°/0°			
SDRC	REMOVE ALL BURRS AND SHARP CORNERS UNLESS OTHERWISE SPECIFIED DO NOT SCALE PRINT		

NOTES:
 (1) SECURE THD'S WITH LOCTITE #262 (RED)
 (2) LUBRICATE ACME THD'S WITH #111 GREASE.

WEIGHT: 3.95-lbs W/O GRIP
 WEIGHT: 4.50-lbs W/GRIP

ITER (00040004) SFL-O REV. H