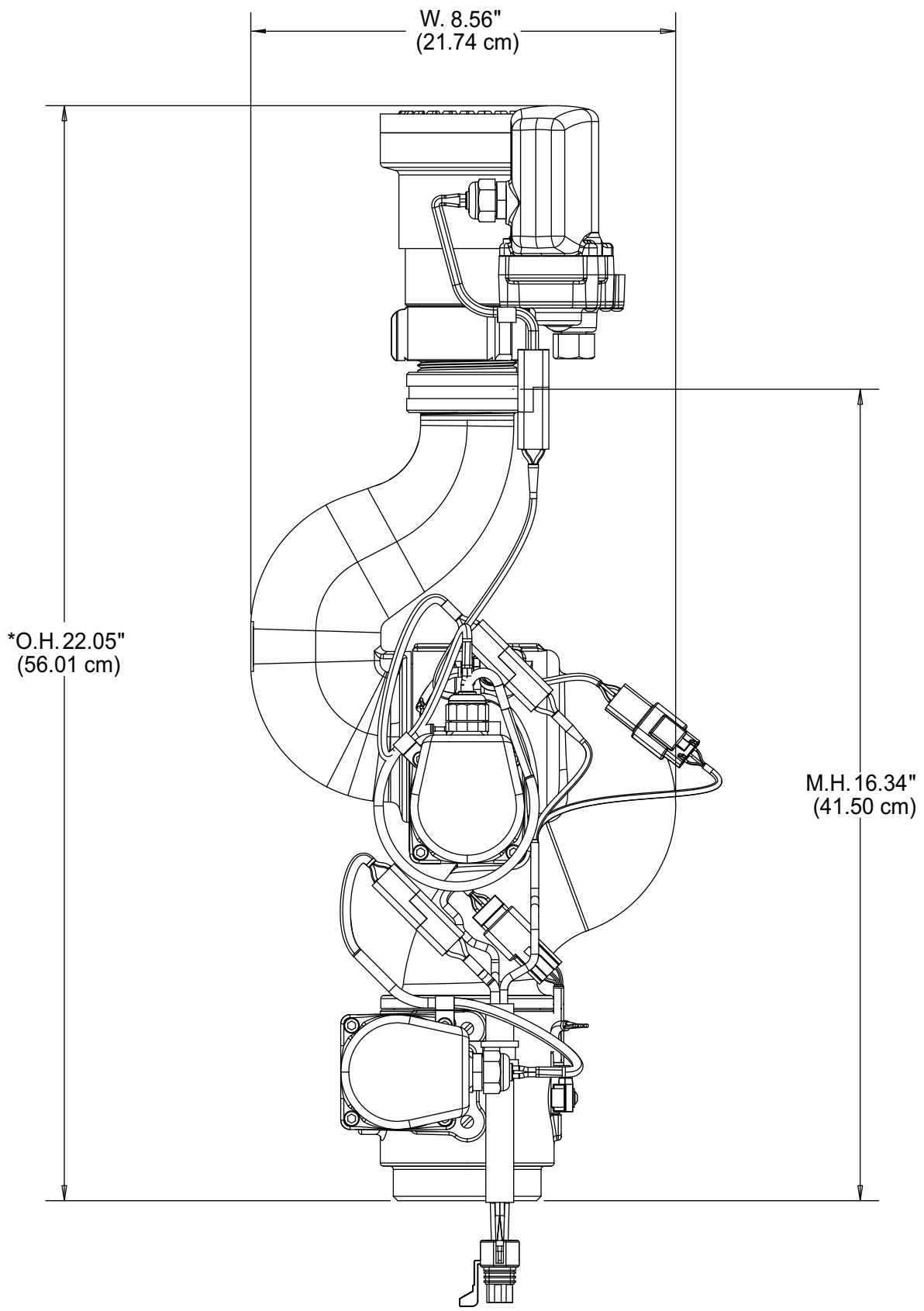


ELKHART BRASS MFG. CO., INC.
ELKHART, INDIANA


THIS DRAWING CONTAINS INFORMATION THAT IS
PROPRIETARY TO ELKHART BRASS MFG. CO., INC.
AND MAY NOT BE USED TO PRODUCE ANY PARTS,
ASSEMBLIES OR PRODUCTS DESCRIBED HEREIN
WITHOUT EXPRESS WRITTEN PERMISSION.

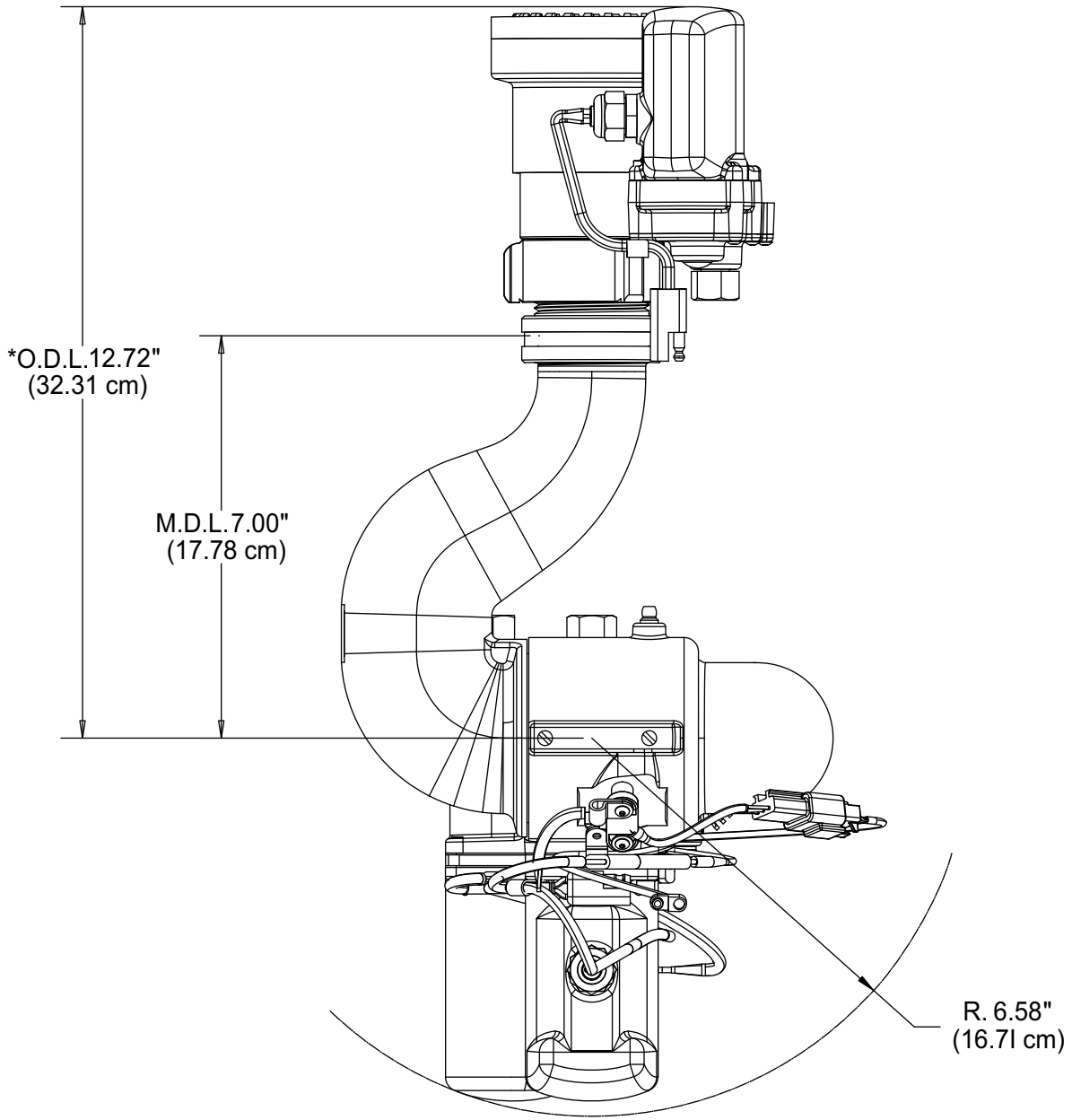
SIDEWINDER ELECTRIC 8494-01
PAGE 1 OF 5
12/2007

BASE
DIMENSIONAL




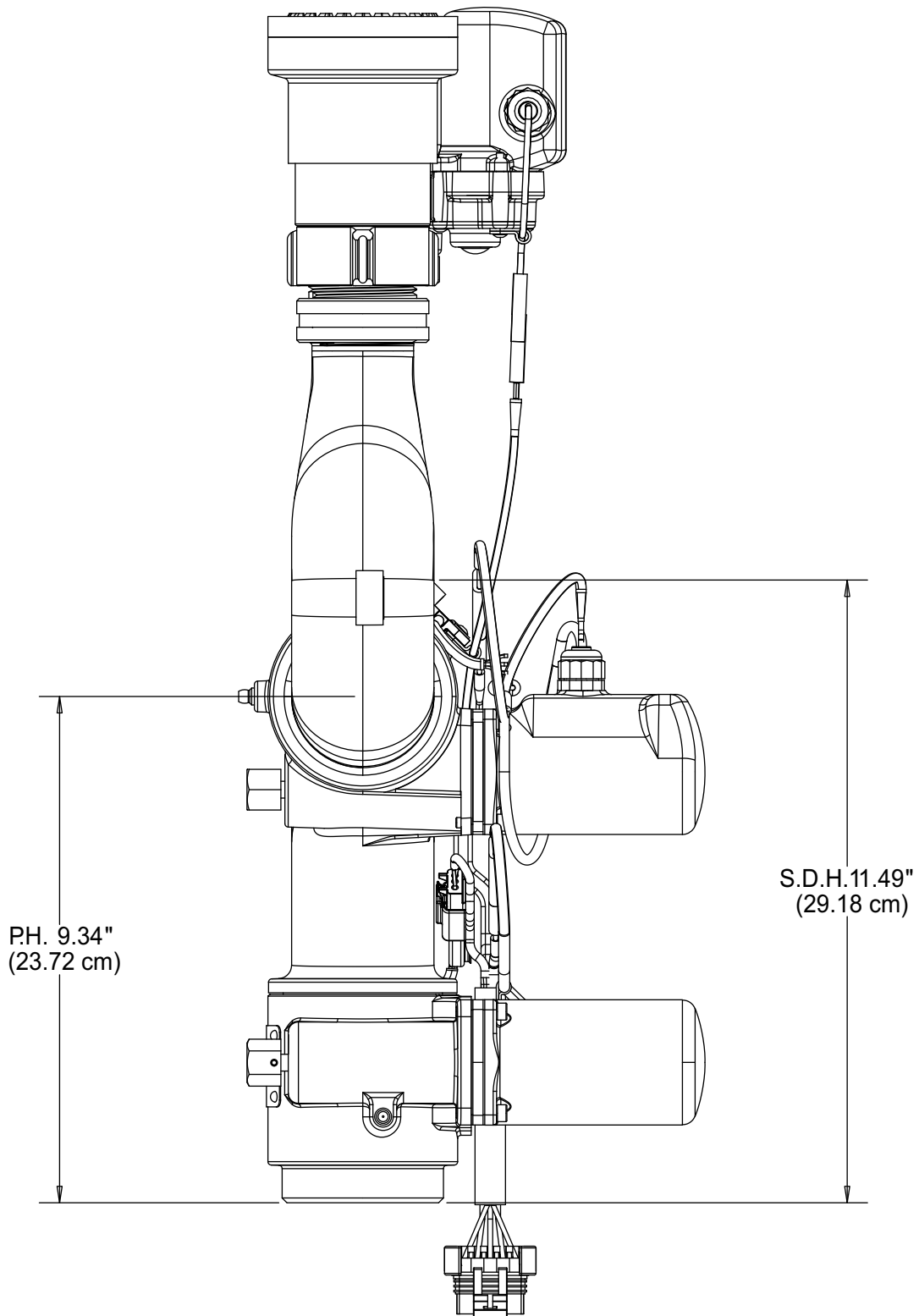
*TYPICAL - SEE INDIVIDUAL NOZZLE DRAWINGS


 ELKHART BRASS MFG. CO., INC. ELKHART, INDIANA	
<small>THIS DRAWING CONTAINS INFORMATION THAT IS PROPRIETARY TO ELKHART BRASS MFG. CO., INC. AND MAY NOT BE USED TO PRODUCE ANY PARTS, ASSEMBLIES OR PRODUCTS DESCRIBED HEREIN WITHOUT EXPRESS WRITTEN PERMISSION.</small>	
<small>SIDEWINDER ELECTRIC 8494-01 PAGE 2 OF 5 12/2007</small>	<small>BACK VIEW DIMENSIONAL</small>



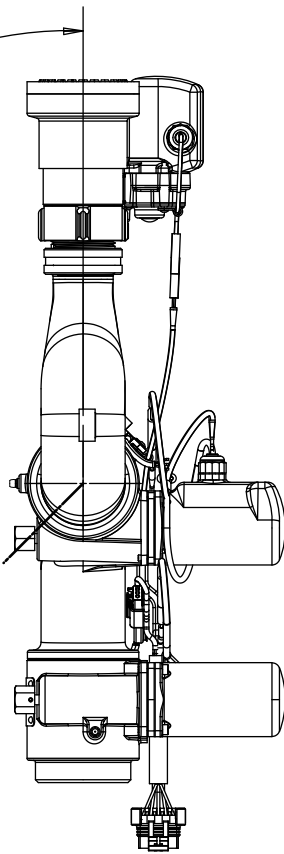
*TYPICAL - SEE INDIVIDUAL NOZZLE DRAWINGS

 ELKHART BRASS MFG. CO., INC. ELKHART, INDIANA	
<small>THIS DRAWING CONTAINS INFORMATION THAT IS PROPRIETARY TO ELKHART BRASS MFG. CO., INC. AND MAY NOT BE USED TO PRODUCE ANY PARTS, ASSEMBLIES OR PRODUCTS DESCRIBED HEREIN WITHOUT EXPRESS WRITTEN PERMISSION.</small>	
<small>SIDEWINDER ELECTRIC 8494-01 PAGE 3 OF 5 12/2007</small>	<small>TOP VIEW DIMENSIONAL</small>



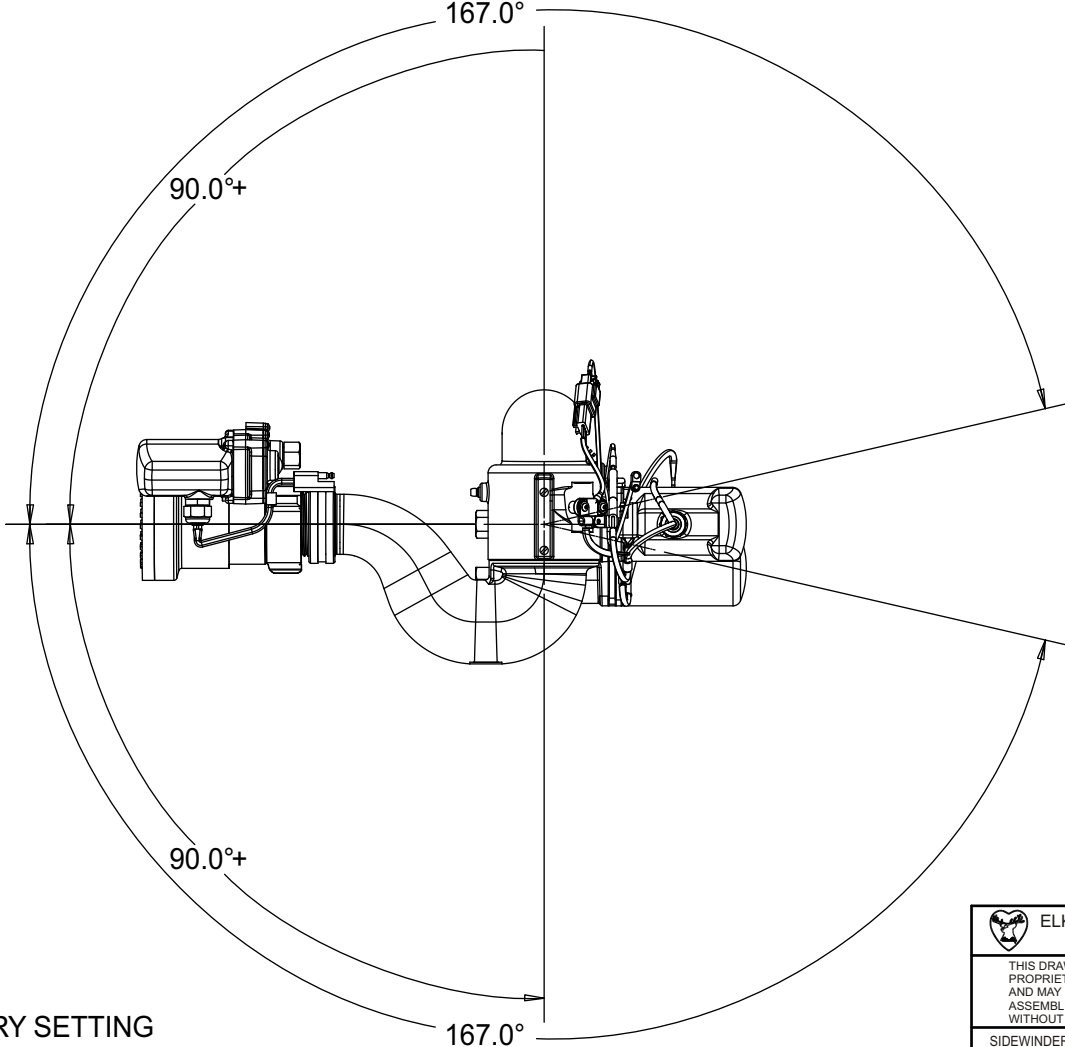
 ELKHART BRASS MFG. CO., INC. ELKHART, INDIANA	
<small>THIS DRAWING CONTAINS INFORMATION THAT IS PROPRIETARY TO ELKHART BRASS MFG. CO., INC. AND MAY NOT BE USED TO PRODUCE ANY PARTS, ASSEMBLIES OR PRODUCTS DESCRIBED HEREIN WITHOUT EXPRESS WRITTEN PERMISSION.</small>	
<small>SIDEWINDER ELECTRIC 8494-01 PAGE 4 OF 5 12/2007</small>	<small>SIDE VIEW DIMENSIONAL</small>

135.0°



167.0°

90.0°+



90.0°+

167.0°

+FACTORY SETTING



ELKHART BRASS MFG. CO., INC.
ELKHART, INDIANA

THIS DRAWING CONTAINS INFORMATION THAT IS
PROPRIETARY TO ELKHART BRASS MFG. CO., INC.
AND MAY NOT BE USED TO PRODUCE ANY PARTS,
ASSEMBLIES OR PRODUCTS DESCRIBED HEREIN
WITHOUT EXPRESS WRITTEN PERMISSION.

SIDEWINDER ELECTRIC 8494-01
PAGE 5 OF 5
12/2007

RANGE OF
MOTION

DIMENSIONAL ABBREVIATION KEY*

ABBREVIATION	DESCRIPTION
D.L.	Discharge Length
H.H.	Handle Height
H.S.R.	Handle Swing Radius
M.D.L.	Monitor Discharge Length
M.H.	Monitor Height
O.D.L.	Overall Discharge Length
O.H.	Overall Height
O.L.	Overall Length
P.H.	Pivot Height
P.R.	Pivot Radius
R.	Radius
S.D.H.	Stow Down Height
W.	Width

*Not all abbreviations will be used on every drawing



ELKHART BRASS MFG. CO., INC.
ELKHART, INDIANA

THIS DRAWING CONTAINS INFORMATION THAT IS
PROPRIETARY TO ELKHART BRASS MFG. CO., INC.
AND MAY NOT BE USED TO PRODUCE ANY PARTS,
ASSEMBLIES OR PRODUCTS DESCRIBED HEREIN
WITHOUT EXPRESS WRITTEN PERMISSION.

DIMENSIONAL
KEY
2/2008

L.

JOYSTICK TRANSMITTER

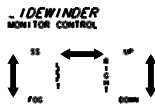
W.

D.

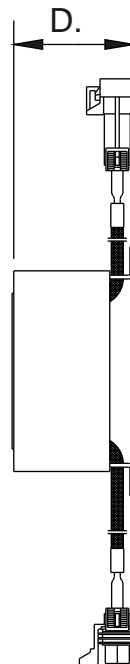
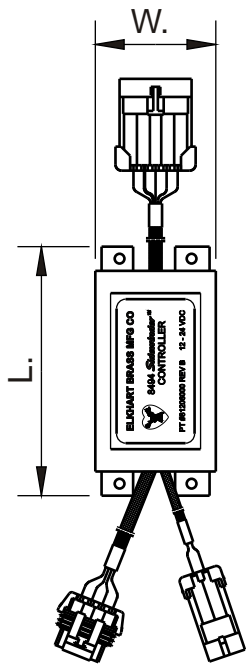
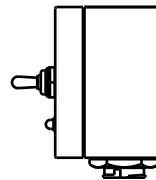
W.

D.


L.



SWITCH BOX



CONTROL MODULE

	ELKHART BRASS MFG. CO., INC. ELKHART, INDIANA
	<small>THIS DRAWING CONTAINS INFORMATION THAT IS PROPRIETARY TO ELKHART BRASS MFG. CO., INC. AND MAY NOT BE USED TO PRODUCE ANY PARTS, ASSEMBLIES OR PRODUCTS DESCRIBED HEREIN WITHOUT EXPRESS WRITTEN PERMISSION.</small>
SIDEWINDER ELECTRIC CONTROLS PAGE 1 OF 2 06/2008	DIMENSIONAL DRAWING

SIDEWINDER ELECTRIC CONTROLS DIMENSIONAL TABLE			
(In Inches)			
MODEL	LENGTH	DEPTH	WIDTH
JOYSTICK	10.592	5.777	4.724
SWITCH BOX	3.140	3.150	4.920
CONTROL MODULE	5.188	2.500	2.510