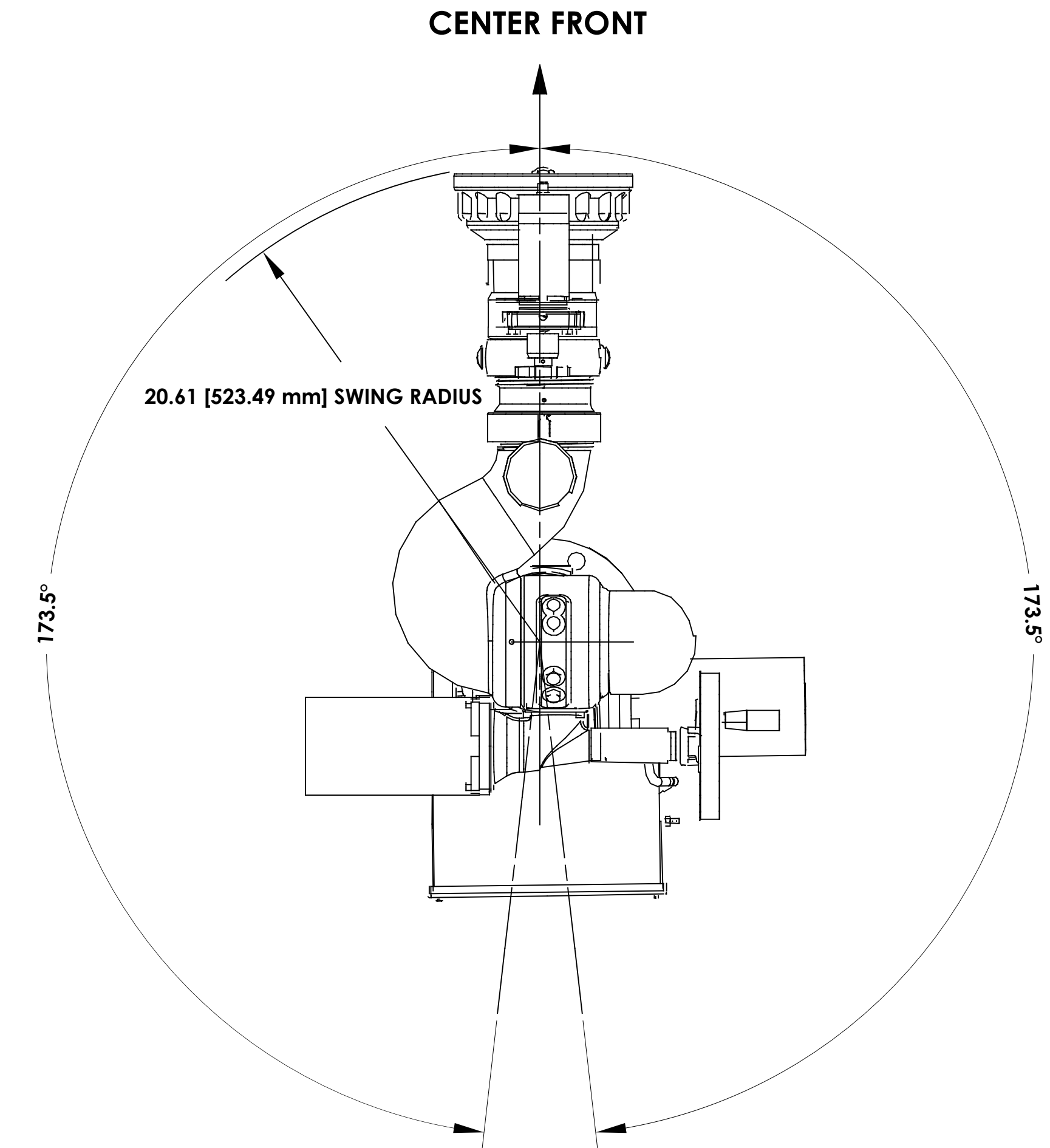
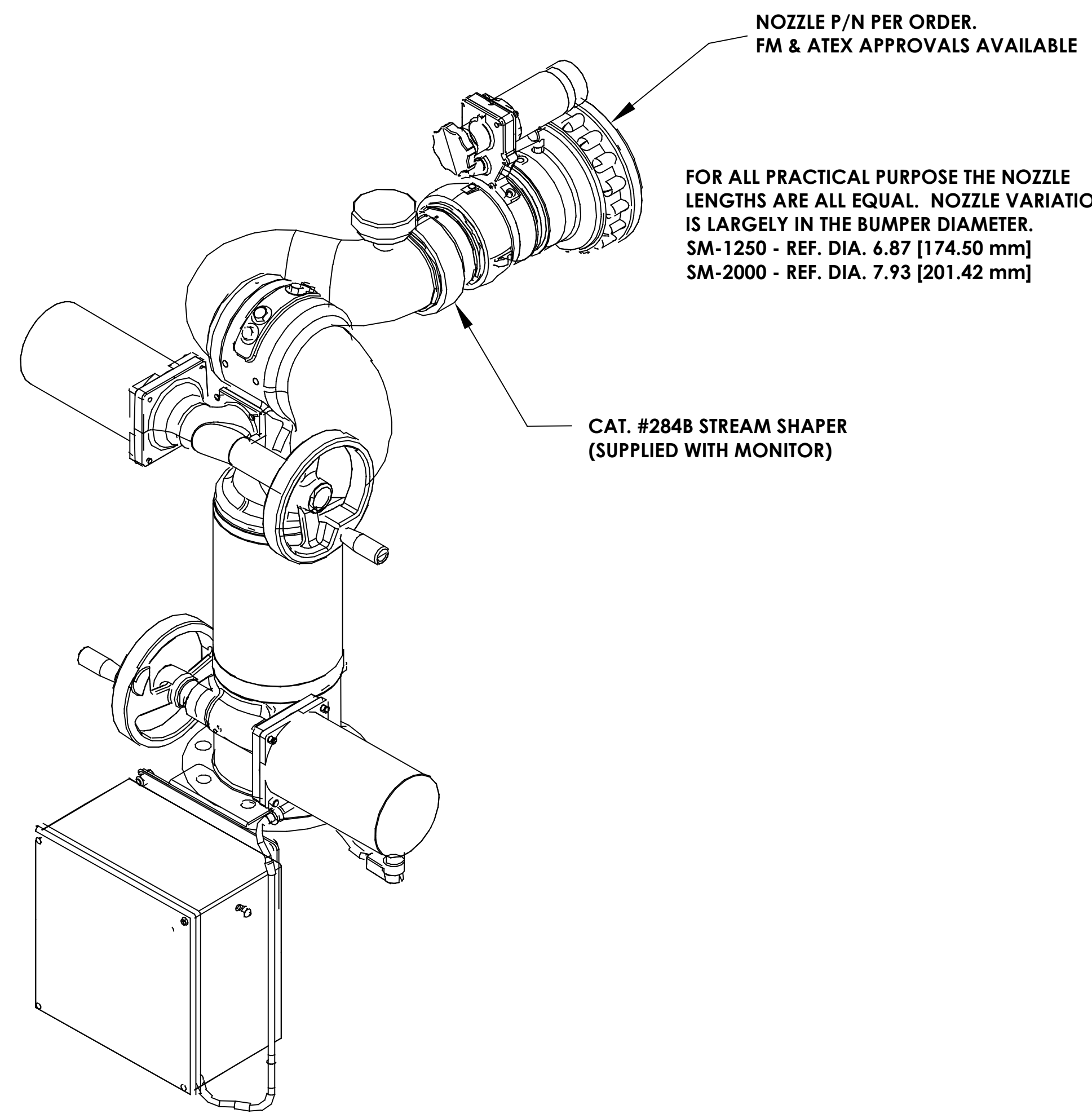
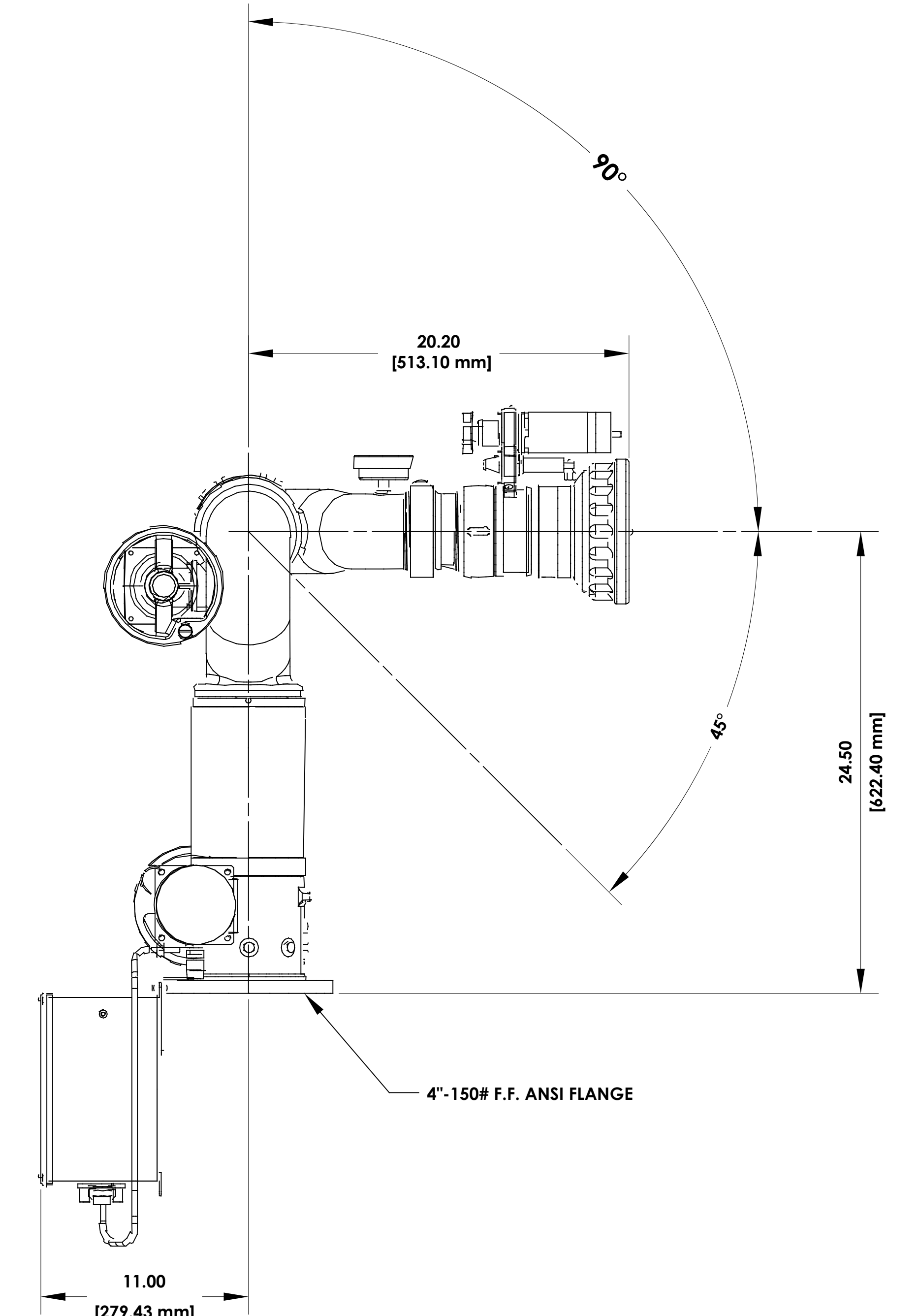
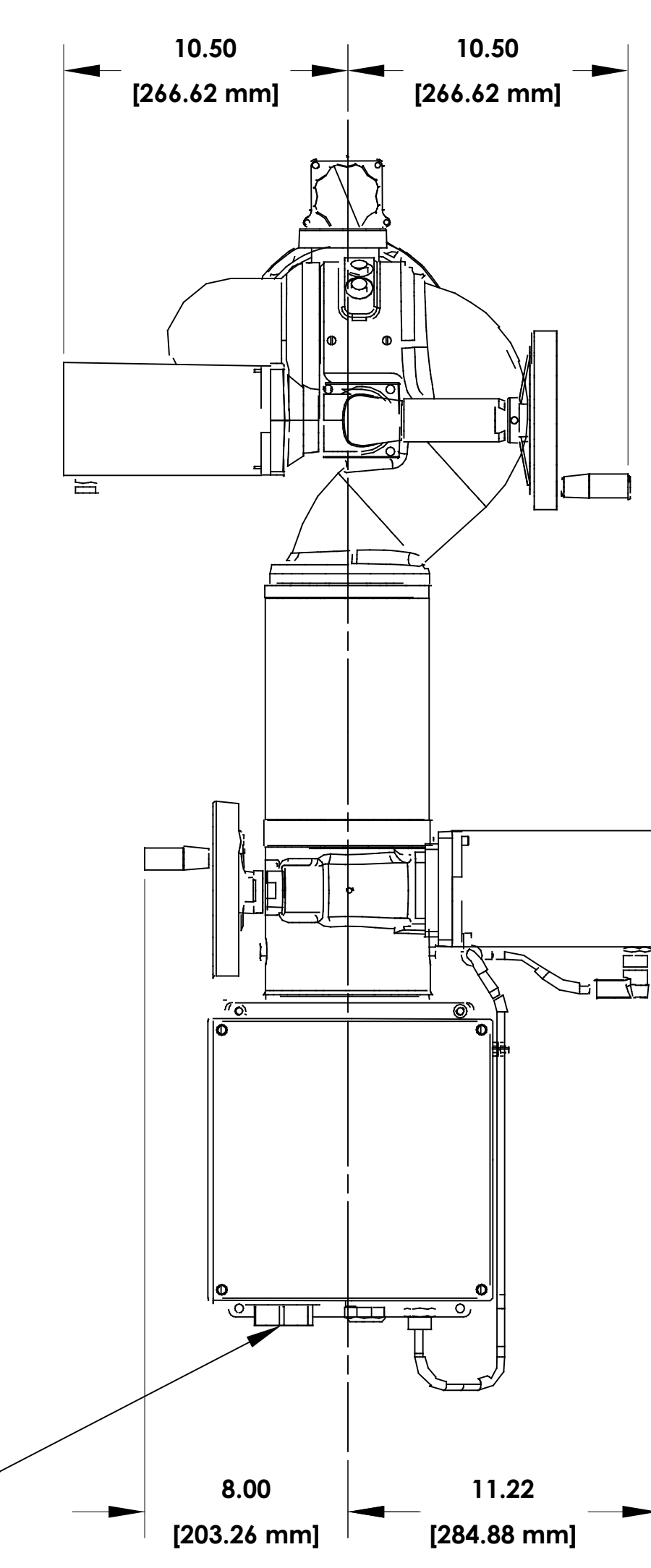
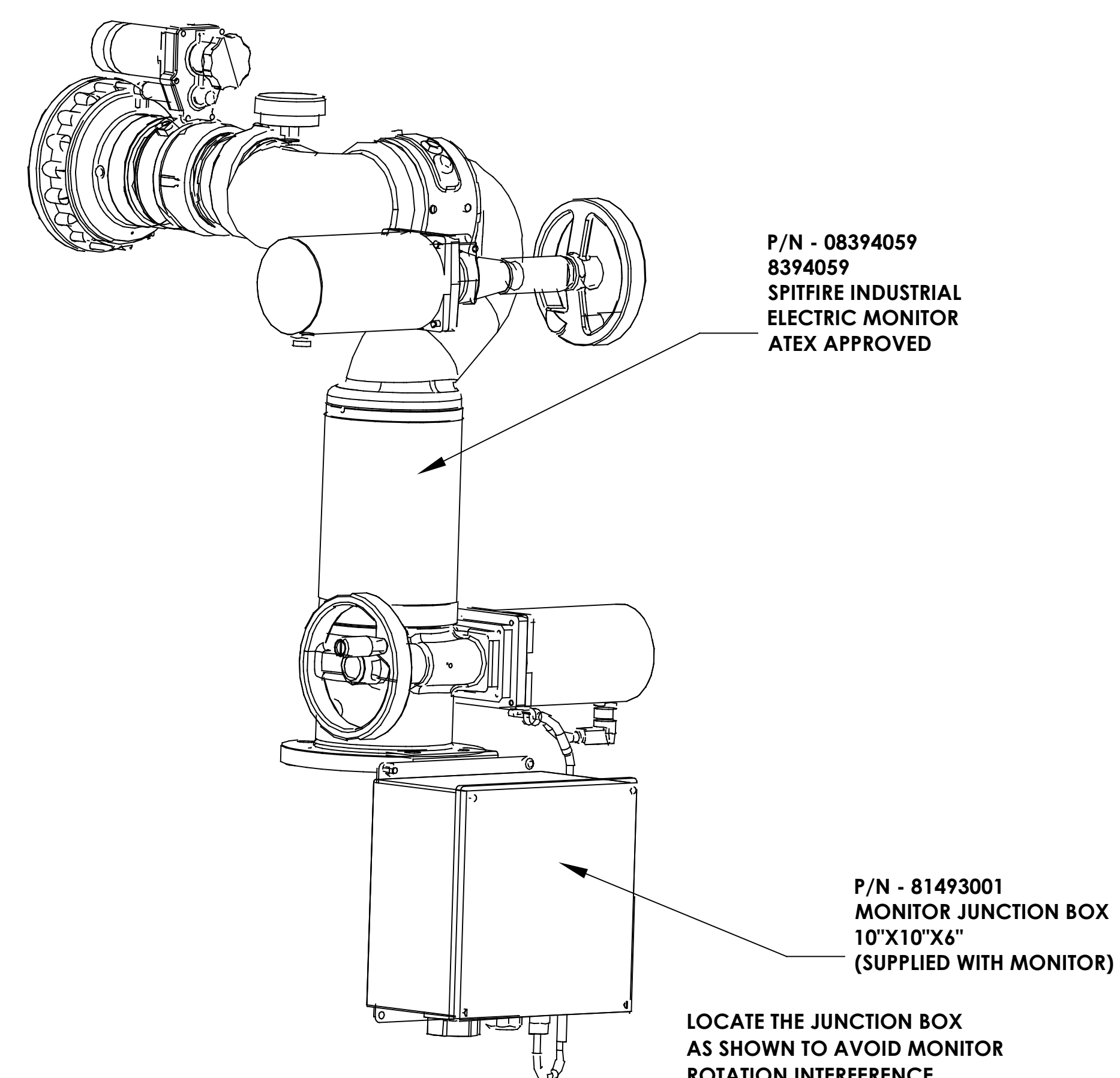


REV.	DESCRIPTION	BY	E. C. N.
REL	(NOTE: ADDITIONAL ECN BLOCKS TO BE COPIED AND FILLED OUT MANUALLY) ADDED TO WEBSITE	MSF	15DEC14



NOTE: THIS IS A DIMENSIONAL REFERENCE DRAWING ONLY. DIMENSIONS REPRESENT THE MAXIMUM MONITOR MOVEMENT AND CLEARANCES WITH NOZZLE ATTACHED. DO NOT SCALE DRAWING!



STANDARD DRAWING NOT FOR APPROVAL

ELKHART BRASS MFG. CO., INC. 1302 West Secorway Ave. Elkhart, IN 46514 USA <small>The print and all data contained here on is the sole and exclusive property of Elkhart Brass Mfg. Co., Inc. and will not be disclosed to others without the consent of Elkhart Brass Mfg. Co., Inc. The print must be returned to Elkhart Brass Mfg. Co., Inc. Copyright © 2012 by Elkhart Brass Mfg. Co., Inc.</small>		DRAWN BY MSF	DATE 12/15/2016	<b>ELKHART BRASS</b> Fire Fighting Equipment
MATERIAL TOLERANCE UNLESS OTHERWISE SPECIFIED: 2 PLACE DEC. ± .040" 3 PLACE DEC. ± .030" ANGLES ± 1°		CHECKED BY MSF	DATE 12/15/2016	
UNLESS OTHERWISE SPECIFIED DIMENSIONS ARE IN INCHES. ALL FILETS AND ROUNDS R 0.06. DO NOT SCALE PRINT.		WEIGHT (LBS) 300 LBS	CAT. NO. 8394-059	SIZE PART NUMBER <b>D WEB - 08394059 REL</b>
INTERPRET DIMENSIONS AND TOLERANCES PER ASME Y14.5M 1994.		THIRD ANGLE PROJECTION		CAD SCALE: NONE SHEET 1 OF 1