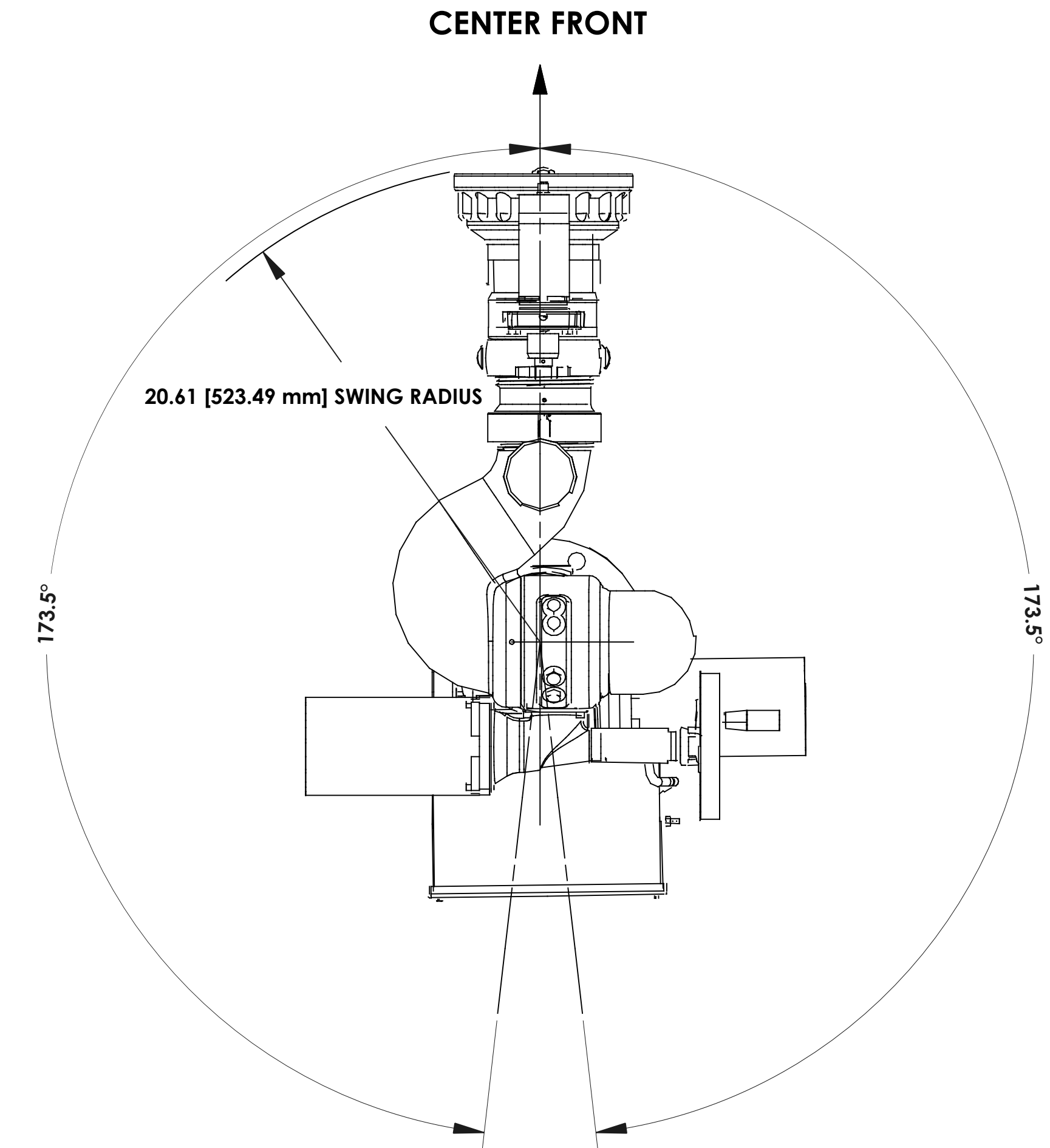
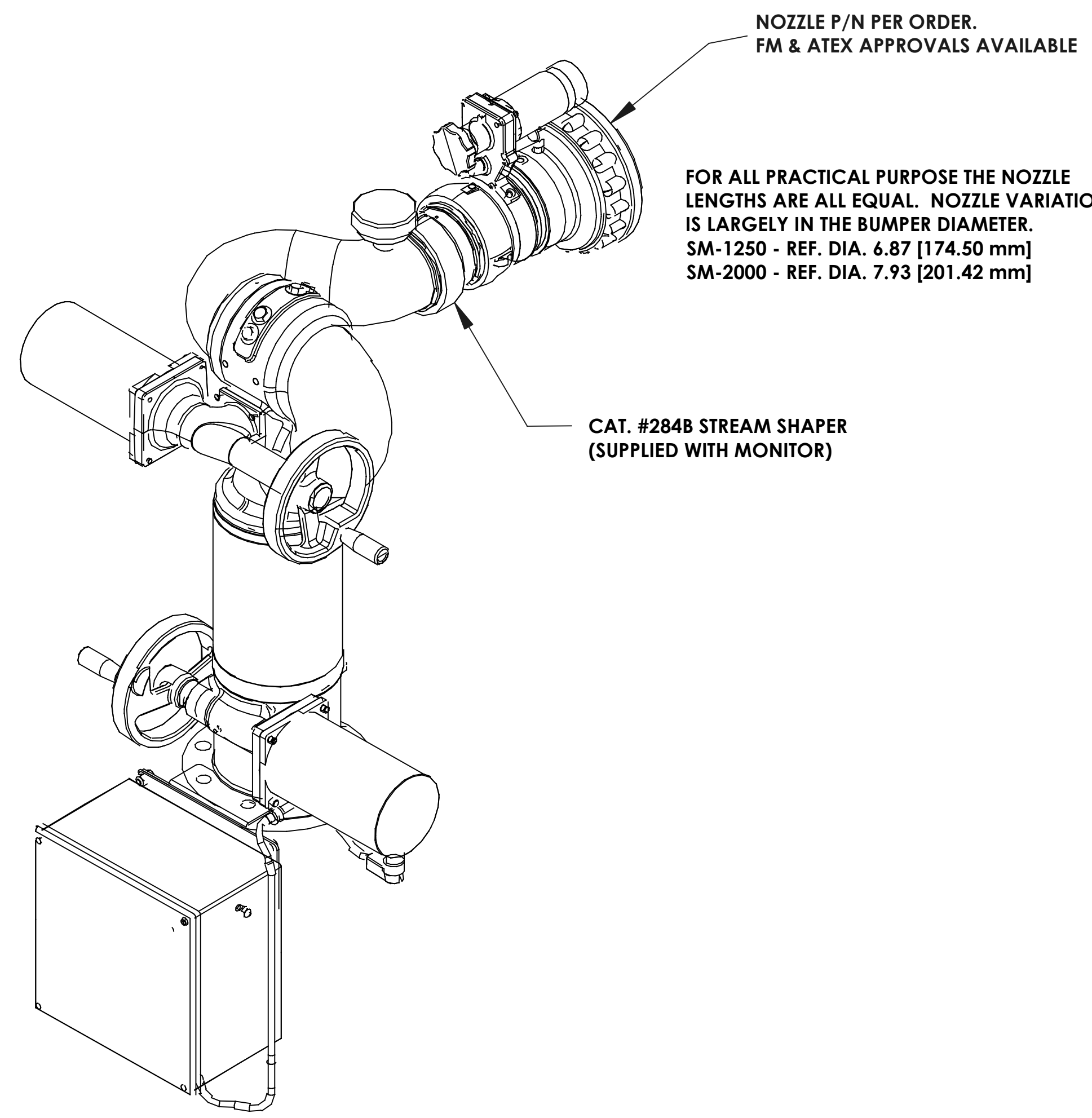
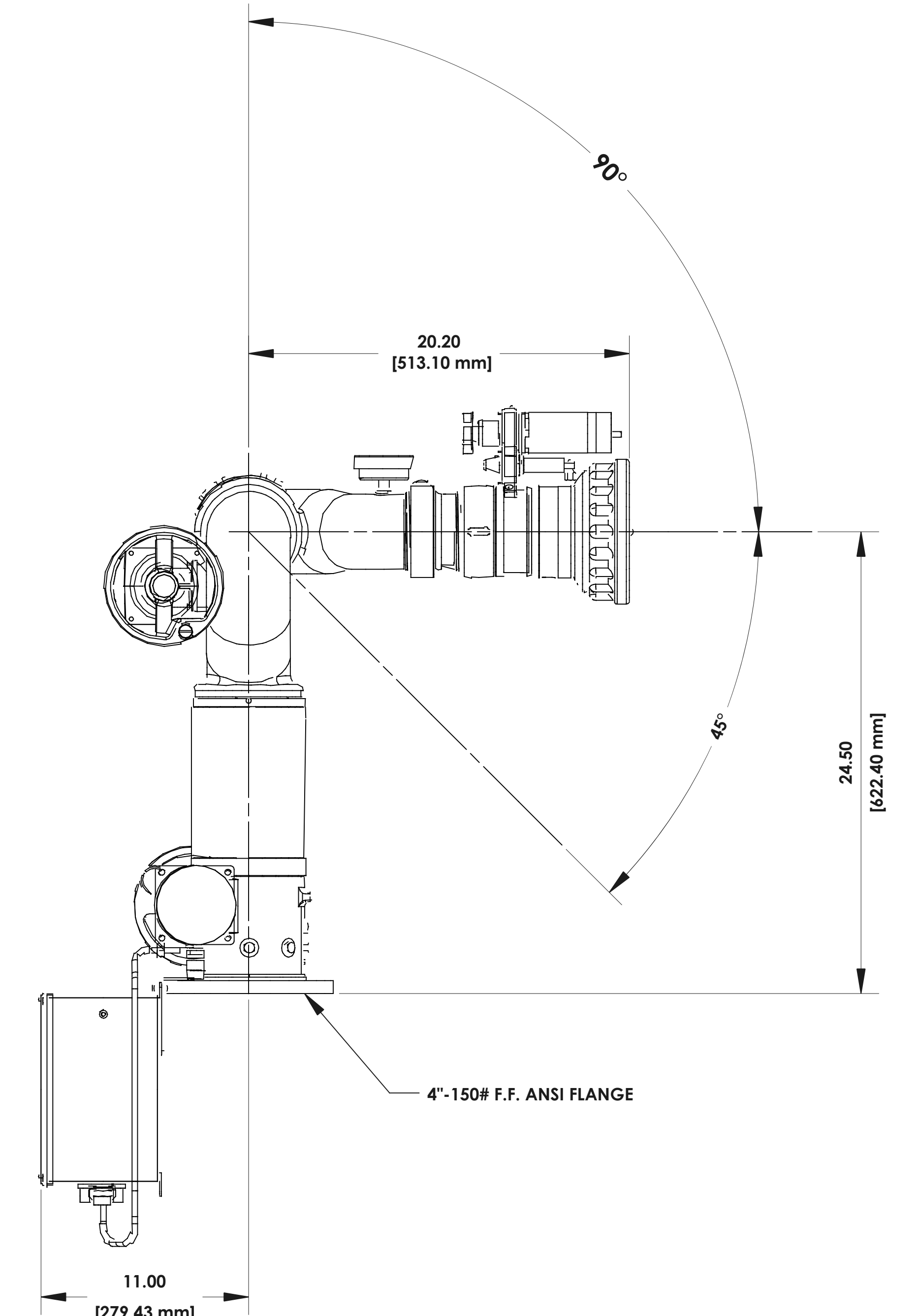
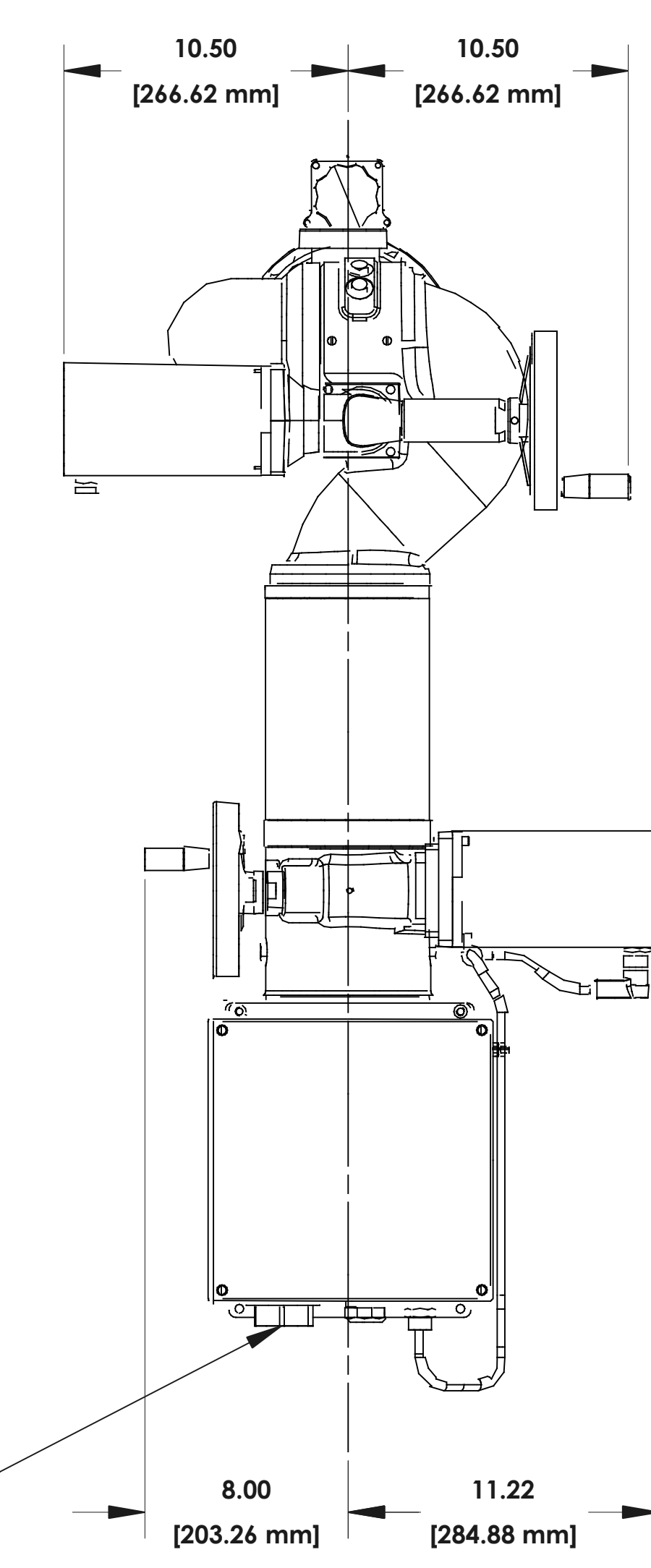
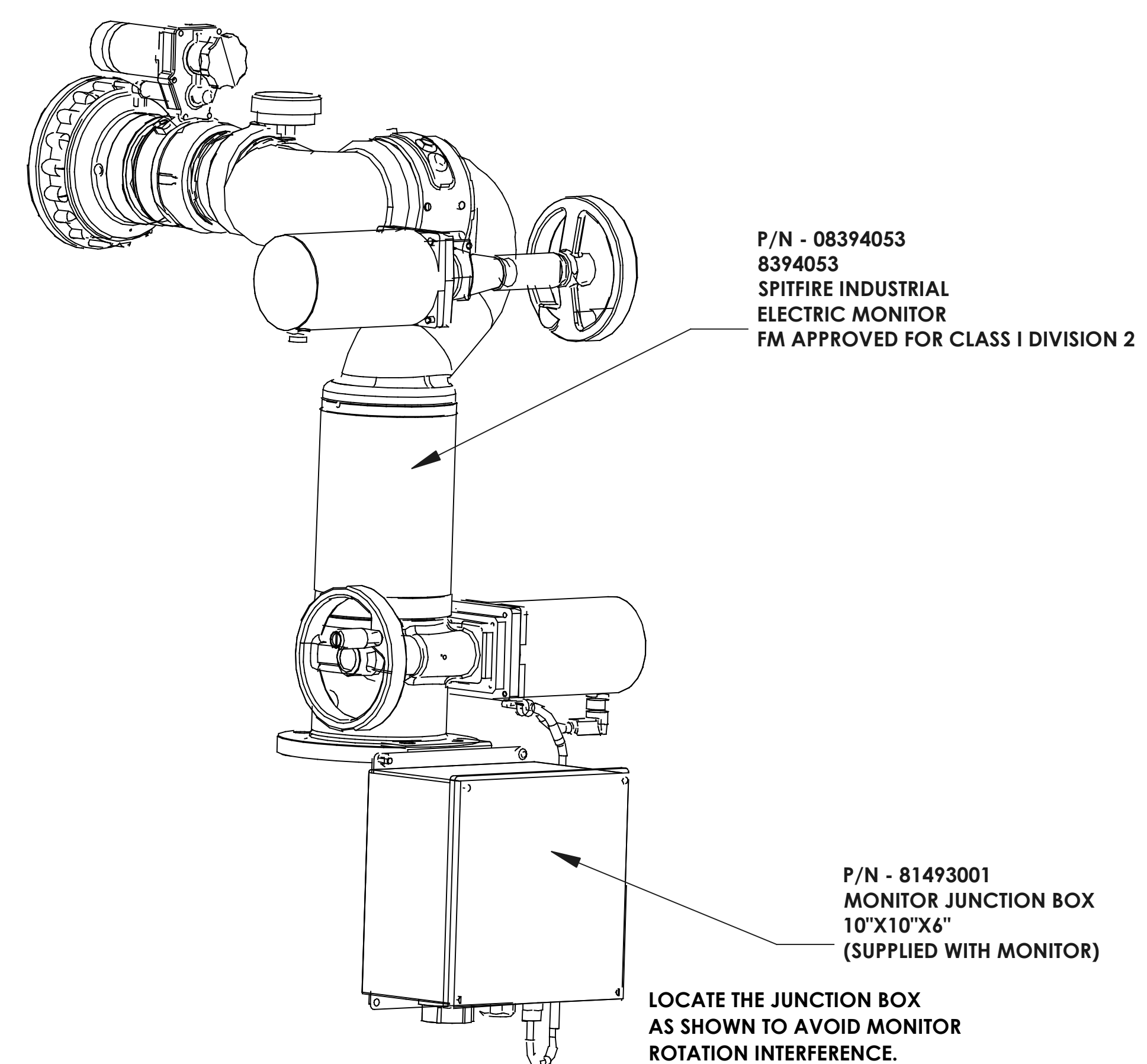


REV.	DESCRIPTION	BY	E. C. N.
B	(NOTE: ADDITIONAL ECH BLOCKS TO BE COPIED AND FILLED OUT MANUALLY) ADDED FM NOTATIONS	BJS	150807



NOTE: THIS IS A DIMENSIONAL REFERENCE DRAWING ONLY. DIMENSIONS REPRESENT THE MAXIMUM MONITOR MOVEMENT AND CLEARANCES WITH NOZZLE ATTACHED. DO NOT SCALE DRAWING!



STANDARD DRAWING NOT FOR APPROVAL

ELKHART BRASS MFG. CO., INC. 1302 West Seneca Blvd. Elkhart, IN 46514 USA <small>This print and all data contained hereon is the sole and exclusive property of Elkhart Brass Mfg. Co., Inc., and will not be disclosed to others without the consent of Elkhart Brass Mfg. Co., Inc. This print must be returned to Elkhart Brass Mfg. Co., Inc. Copyright © 2012 by Elkhart Brass Mfg. Co., Inc.</small>		DRAWN BY: BEB CHECKED BY: BEB DATE: 03/04/2013 DATE: 3/7/2013	ELKHART BRASS Fire Fighting Equipment
MATERIAL:	TOLERANCE UNLESS OTHERWISE SPECIFIED: 2 PLACE DEC. ± .040" 3 PLACE DEC. ± .030" ANGLES ± 1° CAD MODEL:	WEIGHT (LBS): 300 LBS CAT. NO.: 8394-053	DESCRIPTION: WEB - 8394053 ELECTRIC MONITOR WITH NOZZLE - REFERENCE DIMENSIONS SIZE PART NUMBER: D WEB - 08394053 B CAD SCALE: NONE SHEET 1 OF 1